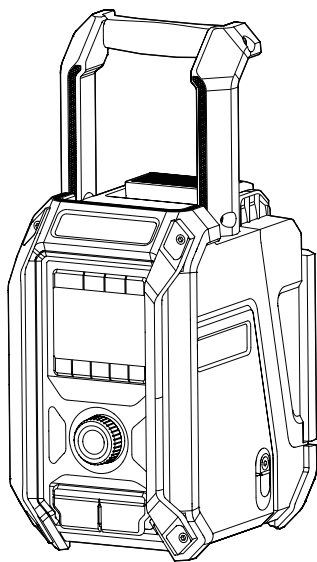
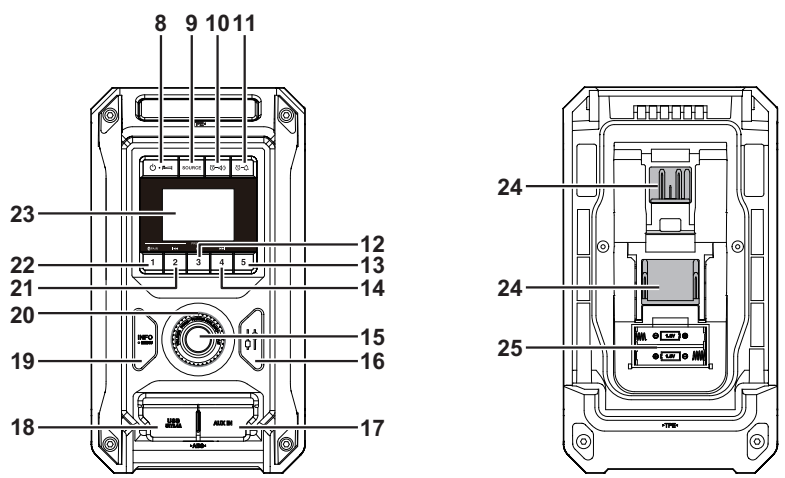
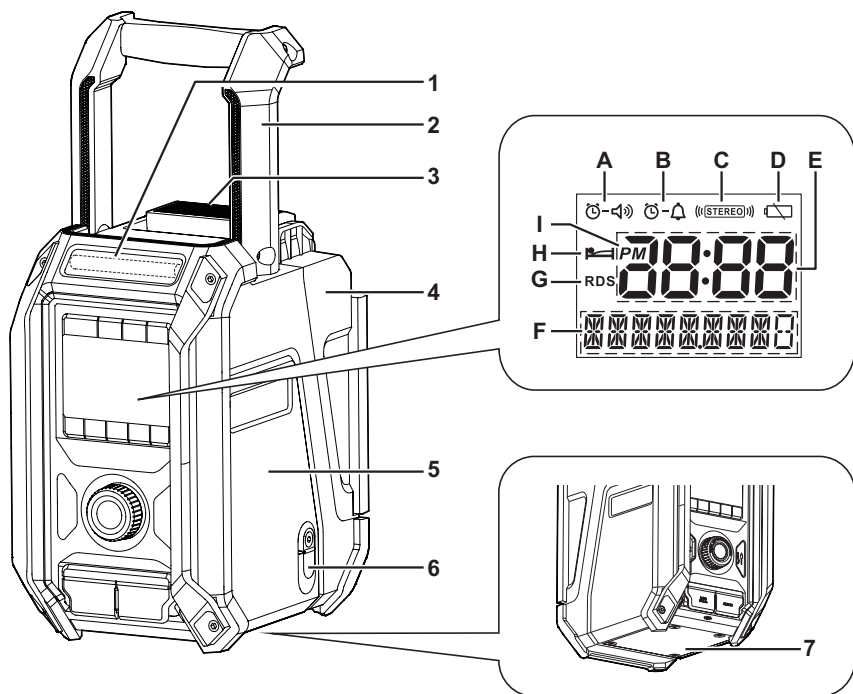


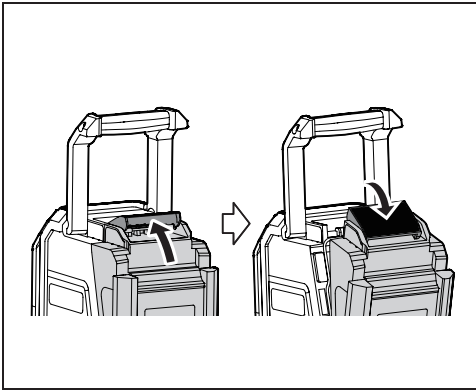


EN	Job Site Radio	Instruction manual	4
FR	Radio de chantier	Manuel d'utilisation	14
DE	Baustellenradio	Bedienungsanleitung	27
IT	Radio per luoghi di lavoro	Manuale delle istruzioni	39
NL	Bouwradio	Handleiding	49
ES	Radio de Trabajo	Manual de instrucciones	60
PT	Rádio a Bateria	Manual de instruções	71
DA	Byggepladsradio	Brugsanvisning	82
EL	Ραδιόφωνο εργοταξίου	Εγχειρίδιο οδηγιών	92
TR	İşyeri Radyosu	Kullanma Kilavuzu	105
ZHTW	收音機	說明書	115

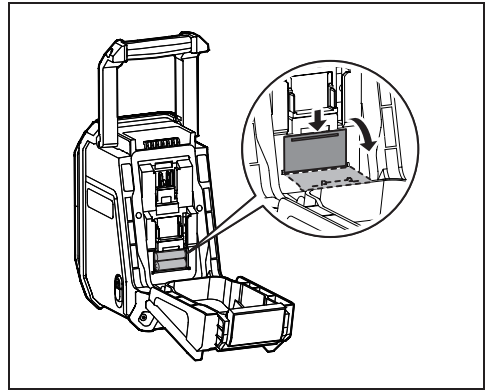
## DMR114



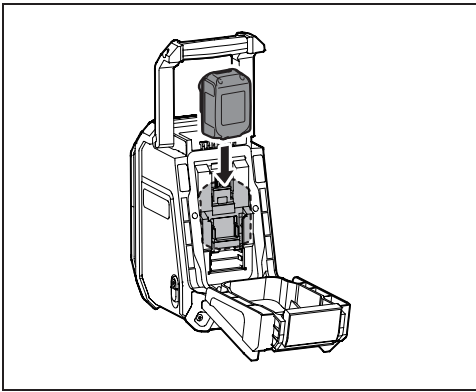




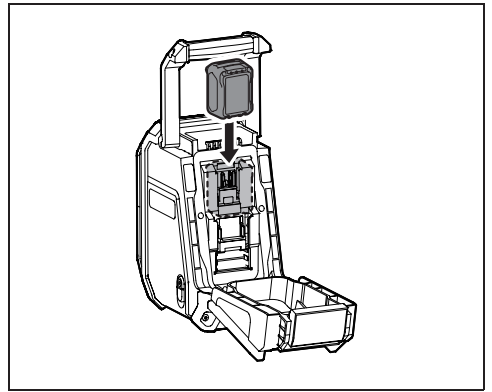
**2**



**3**



**4**



**5**

## ENGLISH (Original instructions)

### EXPLANATION OF GENERAL VIEW (Fig. 1)

1. Built-in antenna(AM)
2. Handle/Built-in antenna(FM)
3. Battery compartment locker
4. Battery compartment cover (covering battery cartridge)
5. Speaker
6. DC IN socket
7. Subwoofer
8. Power/Sleep timer button
9. Source button
10. Radio alarm button
11. Buzzer alarm button
12. Preset 3/Play/Pause button
13. Preset 5 button
14. Preset 4/Next track button
15. Volume/Tuning control/Select knob
16. EQ control button
17. AUX IN socket
18. USB power supply port
19. Menu/Info button
20. EQ mode LED indicator
21. Preset 2/Previous track button
22. Preset 1/Bluetooth pairing button
23. LCD display
24. Battery compartment
25. Back up batteries compartment

### LCD DISPLAY

- A. Radio alarm
- B. Buzzer alarm
- B. Stereo symbol
- D. Low battery indicator
- E. Clock
- F. Frequency
- G. RDS (Radio data system)
- H. Sleep timer icon
- I. PM for clock

### SYMBOLS

The following show the symbols used for the equipment. Be sure that you understand their meaning before use.



Read instruction manual.



Only for EU countries.

Do not dispose of electric equipment or battery pack together with household waste material! In observance of the European Directives, on Waste Electric and Electronic Equipment and Batteries and Accumulators and Waste Batteries and Accumulators and their implementation in accordance with national laws, electric equipment and batteries and battery pack(s) that have reached the end their life must be collected separately and returned to an environmentally compatible recycling facility.

### IMPORTANT SAFETY INSTRUCTIONS

#### **WARNING:**

When using electric tools, basic safety precautions should always be followed to reduce the risk of fire, electric shock, and personal injury, including the following:

1. Read this instruction manual and the charger instruction manual carefully before use.
2. Clean only with dry cloth.
3. Do not install near any heat sources such as radiators, heat registers, stoves, or other apparatus (including amplifiers) that produce heat.
4. Only use attachments/accessories specified by the manufacturer.
5. Unplug this apparatus during lightning storms or when unused for long periods of time.
6. A battery operated radio with integral batteries or a separate battery pack must be recharged only with the specified charger for the battery. A charger that may be suitable for one type of battery may create a risk of fire when used with another battery.
7. Use battery operated radio only with specifically designated battery packs. Use of any other batteries may create a risk of fire.
8. When battery pack is not in use, keep it away from other metal objects like: paper clips, coins, keys, nails, screws, or other small metal objects that can make a connection from one terminal to another. Shorting the battery terminals together may cause sparks, burns, or a fire.
9. Avoid body contact with grounded surfaces such as pipes, radiators, ranges and refrigerators. There is an increased risk of electric shock if your body is grounded.
10. Under abusive conditions, liquid may be ejected from the battery; avoid contact. If contact accidentally occurs, flush with water. If liquid contacts eyes, additionally seek medical help. Liquid ejected from the battery may cause irritation or burns.

11. Do not use a battery pack or tool that is damaged or modified. Damaged or modified batteries may exhibit unpredictable behaviour resulting in fire, explosion or risk of injury.
  12. Do not expose a battery pack or tool to fire or excessive temperature. Exposure to fire or temperature above 130 °C(266°F) may cause explosion.
  13. Follow all charging instructions and do not charge the battery pack or tool outside the temperature range specified in the instructions. Charging improperly or at temperatures outside the specified range may damage the battery and increase the risk of fire.
  14. The MAINS plug is used as the disconnect device, and it shall remain readily operable.
  15. Do not use the product at a high volume for any extended period. To avoid hearing damage, use the product at moderate volume level.
  16. (For products with LCD display only) LCD displays include liquid which may cause irritation and poisoning. If the liquid enters the eyes, mouth or skin, rinse it with water and call a doctor.
  17. Do not expose the product to rain or wet conditions. Water entering the product will increase the risk of electric shock.
  18. This product is not intended for use by persons (including children) with reduced physical, sensory or mental capabilities, or lack of experience and knowledge, unless they have been given supervision or instruction concerning use of the product by a person responsible for their safety. Children should be supervised to ensure that they do not play with the product. Store the product out of the reach of children.
6. Do not store the tool and battery cartridge in locations where the temperature may reach or exceed 50°C (122°F).
  7. Do not incinerate the battery cartridge even if it is severely damaged or is completely worn out. The battery cartridge can explode in a fire.
  8. Be careful not to drop or strike battery.
  9. Do not use a damaged battery.
  10. To avoid risk, the manual of replaceable the battery should be read before use. And the max discharging current of the battery should be greater than or equal to 8A.
  11. The contained lithium-ion-batteries are subject to the Dangerous Goods Legislation requirements. For commercial transports e.g. by third parties, forwarding agents, special requirement on packaging and labeling must be observed. For preparation of the item being shipped, consulting an expert for hazardous material is required. Please also observe possibly more detailed national regulations. Tape or mask off open contacts and pack up the battery in such a manner that it cannot move around in the packaging.
  12. Follow your local regulations relating to disposal of battery.
  13. Use the batteries only with the products specified by Makita. Installing the batteries to non-compliant products may result in a fire, excessive heat, explosion, or leak of electrolyte.

**⚠ CAUTION:**

- **Danger of explosion if battery is incorrectly replaced.**
- **Replace only with the same or equivalent type.**
- **Only use genuine Makita batteries. Use of non-genuine Makita batteries, or batteries that have been altered, may result in the battery bursting causing fires, personal injury and damage. It will also void the Makita warranty for the Makita tool and charger.**

## SAVE THESE INSTRUCTIONS

### SPECIFIC SAFETY RULES FOR BATTERY CARTRIDGE

1. Before using battery cartridge, read all instructions and cautionary markings on (1) battery charger, (2) battery, and (3) product using battery.
2. Do not disassemble battery cartridge.
3. If operating time has become excessively shorter, stop operating immediately. It may result in a risk of overheating, possible burns and even an explosion.
4. If electrolyte gets into your eyes, rinse them out with clear water and seek medical attention right away. It may result in loss of your eyesight.
5. Do not short the battery cartridge:
  - (1) Do not touch the terminals with any conductive material.
  - (2) Avoid storing battery cartridge in a container with other metal objects such as nails, coins, etc.
  - (3) Do not expose battery cartridge to water or

### Tips for maintaining maximum battery life

1. Charge the battery cartridge before completely discharged. Always stop tool operation and charge the battery cartridge when you notice less tool power.
2. Never recharge a fully charged battery cartridge. Overcharging shortens the battery service life.
3. Charge the battery cartridge with room temperature at 10°C - 40°C (50°F - 104°F). Let a hot battery cartridge cool down before charging it.
4. Charge the battery cartridge if you do not use it for a long period (more than six months).

## OPERATING TIME

\* The suitable battery packs for this radio listed as the following table.

\* The following table indicates the operating time on a single charge.

Battery capacity	Battery cartridge voltage			AT SPEAKERS OUTPUT = 100mW Unit: Hour (Approximately)	
	10.8V – 12Vmax	14.4V	18V	In Radio or AUX	In Bluetooth +USB Charging
1.3 Ah		BL1415		3.5	0.7
			BL1815	4.0	1.0
1.5 Ah	BL1015 BL1016			6.0	0.8
		BL1415N BL1415NA		4.5	0.9
			BL1815N	5.0	1.2
2.0 Ah	BL1020B BL1021B			8.0	1.0
			BL1820 BL1820B	6.5	1.6
3.0 Ah		BL1430 BL1430B BL1430A		8.0	1.6
			BL1830 BL1830B	9.5	2.3
4.0 Ah	BL1040B BL1041B			16	2.1
		BL1440		13	2.5
			BL1840 BL1840B	13	3.2
5.0 Ah		BL1450		15	3.0
			BL1850 BL1850B	17	4.2
6.0 Ah		BL1460B BL1460A		17	3.3
			BL1860B	21	5.0

### **WARNING:**

**Only use the battery cartridges listed above. Use of any other battery cartridges may cause injury and/or fire.**

### **NOTE:**

- Table regarding to the battery operating time above is for reference.
- The actual operating time may differ with the type of the battery, charging condition, or usage environment.

# INSTALLATION AND POWER SUPPLY

## ⚠ CAUTION:

- Be careful not to pinch your fingers when opening and closing the battery cover.
- Return the battery compartment locker to the original position, after installing or removing battery cartridge. If not, battery cartridge may accidentally fall out of the radio, causing injury to you or someone around you.
- Always close and lock the battery compartment locker before moving the radio.
- Always switch off the radio before installing or removing the battery cartridge.
- Be careful not to drop or strike the radio. Broken shell may slash your finger or stab your body. Damaged radio may exhibit unpredictable behaviour resulting in fire, explosion or risk of injury.

## IMPORTANT:

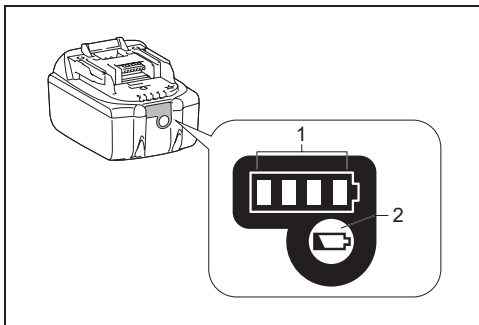
- Reduced power, distortion, “stuttering sound” or when both low battery indicator and “POWERFAIL” appear on the display are all the signs that the main battery pack needs to be replaced.
- When low battery indicator appears and an “EMPTY” keeps on flashing is the time to replace the back up batteries.
- The battery cartridge can’t be charged via the supplied AC power adaptor.
- The battery cartridge is not included as standard accessories.

## Installing or removing slide battery cartridge (Fig. 4 & 5)

- To install the battery cartridge, align the tongue on the battery cartridge with the groove in the housing and slide it into place. Always insert it all the way until it locks in place with a little click.
- If you can see the red indicator on the upper side of the button, it is not locked completely. Install it fully until the red indicator cannot be seen. If not, it may accidentally fall out of the radio, causing injury to you or someone around you.
- Do not use force when installing the battery cartridge. If the cartridge does not slide in easily, it is not being inserted correctly.
- To remove the battery cartridge, slide it from the radio while sliding the button on the front of the cartridge.

## Indicating the remaining battery capacity

\* Only for battery cartridges with “B” at the end of the model number.



### ➤ 1. Indicator lamps 2. Check button

Press the check button on the battery cartridge to indicate the remaining battery capacity. The indicator lamps light up for few seconds.

#### • 14.4V/18V batteries

Indicator or lamps			Remaining Capacity
Lighted	Off	Blinking	
■	□	◐	75% ~ 100%
■ ■ ■ ■			
■ ■ ■ □			50% ~ 75%
■ ■ □ □			25% ~ 50%
■ □ □ □			0% ~ 25%
◐ □ □ □			Charge the battery
■ ■ □ □	↑	↓	The battery may have malfunctioned
□ □ ■ ■			

#### • 10.8V-12V max batteries

Indicator or lamps			Remaining Capacity
Lighted	Off	Blinking	
■	□	◐	75% ~ 100%
■ ■ ■ ■			
■ ■ ■ □			50% ~ 75%
■ ■ □ □			25% ~ 50%
■ □ □ □			0% ~ 25%

**NOTE:**

Depending on the conditions of use and the ambient temperature, the indication may differ slightly from the actual capacity.

**Back up battery Installation (Fig. 2 & 3)**

Keeping back up batteries inside the compartment prevent stored data in preset memories from being lost.

1. Pull out the battery compartment locker to release battery compartment. There are main battery pack compartment and back up battery compartment.
2. Remove back up battery compartment cover and insert 2 fresh UM-3 (AA sizes). Make sure the batteries are with correct polarity as shown inside the compartment. Replace the battery cover.
3. After back up batteries are inserted, insert the main battery pack to power radio.

**Using supplied AC power adaptor**

Remove the rubber protector and insert the adaptor plug into the DC socket on the right hand side of the radio. Plug the adaptor into a standard mains socket outlet. Whenever the adaptor is used, the battery pack is automatically disconnected.

**⚠ CAUTION:**

- **Always disconnected the AC power adapter completely before moving the radio. If the AC adapter is not removed, it may cause an electric shock.**
- **Never pull and/or drag the cord of the adapter. If not, the radio may accidentally fall down, causing injury to you or someone around you.**

**IMPORTANT:**

- The mains adaptor is used as the means of connecting the radio to the mains supply. The mains socket used for the radio must remain accessible during normal use.
- In order to disconnect the radio, the mains adaptor should be removed from the mains outlet completely.
- Use the AC power adaptor supplied with the product or specified by Makita only.
- Do not hold the power supply cable and plug by your mouth. Doing so might cause an electric shock.
- Do not touch the power plug with wet or greasy hands.
- Damaged or entangled cords increase the risk of electric shock. If the cord is damaged, have it replaced by our authorized service center in order to avoid a safety hazard. Do not use it before repair.
- After use, always store AC power adaptor out of the reach of children. If Children play with the cord, they may suffer injury.

**Note:**

When your radio has any interference in AM band by its adaptor, please move your radio away from its AC power adaptor over 30 cm.

**Charging with USB power supply port**

There is the USB port at the front side of the radio. You can charge USB device trough the USB port.

1. Connect the USB device, such as a MP3, or CD player, with USB cable available in the market.
2. Press the Power button to switch on your radio.
3. No matter if the radio is AC powered or battery powered, the radio can charge the USB device when the radio is switched on and in FM radio mode, or BT mode, or AUX mode, which is appeared when an external audio source is connected.

**Note:**

- You cannot charge USB devices during AM mode because radio signal reception becomes extremely poor when charging USB device.
- The maximum volume of the output power speaker will decrease when your USB is charging.
- The USB socket can provide max 5V/2.4A of electrical current.

**IMPORTANT:**

- Before connecting USB device to the charger, always backup your data of USB device. Otherwise your data may lose by any possibility.
- The charger may not supply power to some USB devices.
- When not using or after charging, remove the USB cable and close the cover.
- Do not connect power source to USB port. Otherwise there is risk of fire. The USB port is only intended for charging lower voltage device. Always place the cover onto the USB port when not charging the lower voltage device.
- Do not insert a nail, wire, etc. into USB power supply port. Otherwise a circuit short may cause smoke and fire.
- Do not connect this USB socket with your PC USB port, as it is highly possible that it may cause breakdown of the units.

**LISTENING TO THE RADIO****Scan tuning AM/ FM****Note:**

The FM antenna is built into the handle. When operating the radio, please straighten the handle properly above the radio to get better reception. For the AM band, rotate the radio to get best signal as the AM antenna is built into the radio.

1. Press the Power button to switch on your radio.
2. Press the Source button to select AM or FM radio mode.
3. Press and hold the Tuning control knob to carry out an auto-tune. Your radio will scan up the AM/FM band from the currently displayed frequency and will stop scanning automatically when it finds a station of sufficient strength.



4. After a few seconds the display will update. The display will show the frequency of the signal found.
5. To find other station, press and hold the Tuning control knob as before.
6. When the end of the waveband is reached your radio will recommence tuning from the opposite end of the waveband.
7. Rotate the Tuning control knob to adjust the sound level as required.

**Note:**

- While adjusting the volume, make sure the FM/AM is NOT flashing on the screen.
  - If AM/FM is flashing on the screen, it allows you to tune the stations manually (see the section of "Manual tuning – AM/FM" for more detail).
  - The volume should not be too large. To prevent possible hearing damage, do not listen at high volume levels for long periods.
8. To switch off your radio press the Power button.

### Manual tuning – AM/FM

1. Press the Power button to switch on your radio.
2. Press the Source button to select AM or FM radio mode.
3. Press the Tuning control knob and you will see the FM or AM is flashing on the display.

**Note:**

- FM/AM will flash approx. 10 seconds. Within this period, only manual tuning is allowed.
  - If volume adjustment is desired while FM/AM is flashing, press the Tuning control knob to stop the flash and you can rotate the Tuning control knob to adjust sound level.
4. Rotate the Tuning control knob to tune to a station.
  5. When the end of the waveband is reached your radio will recommence tuning from the opposite end of the waveband.
  6. Rotate the Tuning control knob to adjust the sound level as required.

### Presetting stations in AM/FM mode

There are 5 preset stations each for AM and FM radio. They are used in the same way for each waveband.

1. Press the Power button to switch on your radio.
2. Press the Source button to select the desired waveband. Tune to the required radio station as previously described.
3. Press and hold the required Preset button (1 to 5) until the display shows "P4" for example after the frequency. The station will be stored using the preset number. Repeat this procedure for the remaining presets as you wish.
4. Preset stations which have already been stored may be overwritten by following the above procedure if required.

### Display modes – FM

Your radio has a range of display options for FM radio mode.

Repeatedly press the Menu/Info button to view the RDS information of the station you are listening to.

- |                 |  |
|-----------------|--|
| a. Station name | Displays the name of the station being listened to.                                |
| b. Program type | Displays the type of station being listened to such as Pop, Classic, News, etc.    |
| c. Radio text   | Displays radio text message such as new items etc.                                 |
| d. Year/Day     | Displays the year and day of the week according to the date setting of your radio. |
| e. Date/Day     | Displays the date and day of the week according to the date setting of your radio. |
| f. EQ mode      | Displays the EQ mode of the FM for the station listened to.                        |
| g. Frequency    | Displays the frequency of the FM for the station listened to.                      |

### FM stereo (auto)/mono

If the FM radio station being listened to has a weak signal some hiss may be audible. It is possible to reduce this hiss by forcing the radio to play the station in mono rather than stereo.

1. Press the Source button as needed to select the FM band and tune to the desired FM station as previously stated.
2. Press and hold Menu/Info button to enter the menu setting.
3. Rotate the Tuning control knob until the "FM AUTO (or MONO)" setting shows on the display. If the setting is Auto, press the Tuning control knob and then rotate the Tuning control knob to switch to Mono mode to reduce the hiss. Press the Tuning control knob to select the option.

### Recalling a preset in AM/FM mode

1. Press the Power button to switch on your radio.
2. Press the Source button to select AM or FM radio mode
3. Momentarily press the required Preset button to tune to your radio to one of the stations stored in the preset memory.

## MISCELLANEOUS SETTINGS

### Setting the time and date format

The clock display used in stand-by mode and on the playing mode screens can be set to different format. The

selected format is then also used when setting the alarms.

1. Press and hold the Menu/Info button to enter the menu setting.
2. Rotate the Tuning control knob until "CLOCK xxH" appears on the display and press the Tuning control knob to enter the setting. You will see the time format begins to flash.
3. Rotate the Tuning control knob to select either 12 or 24 hour format. Press the Tuning control knob to confirm your choice of clock format.

**Note:**

If the 12 hour clock format is chosen, the radio will then use the 12 hour clock for the setting.

4. Press and hold the Menu/Info button to enter the menu setting.
5. Rotate the Tuning control knob until a date (e.g. THU APR 3) appears on the display and press the Tuning control knob to enter the setting. You will see the date format begins to flash.
6. Rotate the Tuning control knob to select the desired date format. Press the Tuning control knob to confirm your choice.

## Setting the clock time and date

1. Press and hold the Menu/Info button.
2. Rotate the Tuning control knob until "CLOCK ADJ" appears on the display. Press the Tuning control knob to enter the setting.
3. The hour setting on the display will begin flashing. Rotate the Tuning control knob to select the desired hour, and press the Tuning control knob to confirm the setting. Then rotate the Tuning control knob to select the desired minute, and press the Tuning control knob to confirm the setting.
4. Rotate the Tuning control knob until "DATE ADJ" appears on the display. Press the Tuning control knob to enter the setting.
5. Rotate the Tuning control knob to select the desired year and press the Tuning control knob to confirm the setting. Then rotate the Tuning control knob to select the desired month, and press the Tuning control knob to confirm the setting. Then rotate the Tuning control knob to select the desired day and press the Tuning control knob to confirm the setting.

## Radio Data System (RDS)

When you set the clock time using the RDS function, your radio will synchronize its clock time whenever it tunes to a radio station using RDS with CT signals.

1. When tuning to a station transmitting RDS data, the RDS symbol will be shown on the display. Press and hold the Menu/Info button.
2. Rotate the Tuning control knob until "RDS CT" and a clock symbol appear on the display. Press the Tuning

control knob to enter the setting.

3. Rotate the Tuning control knob until "RDS CT" appears on the display. Press the Tuning control knob to confirm the setting. The clock time of the radio will set up automatically according to the RDS data received.

**Note:**

- The radio clock time will be valid for 5 days each time the radio time is synchronized with RDS CT.
- To disable the RDS CT function, go back to step 1 to 2 and then rotate the Tuning control knob to select "MANUAL" option. Press the Tuning control knob to confirm the setting.

## Setting the alarm clock

Your radio has two alarms which can each be set to wake you to AM/FM radio or buzzer alarm. The alarms may be set while the unit is in standby mode or while playing.

**Note:**

Ensure that the time is set correctly before setting the alarms. If no buttons are pressed for 10 seconds, the radio will exit the alarm setup.

**a. Setting radio alarm time:**

1. The radio can be set either when radio is on or off.
2. Press and hold the radio alarm button, the radio alarm symbol and the display hour will flash along with a beep.
3. During radio alarm symbol flashes, rotate Tuning control knob to select the hour and press Tuning control knob again to confirm hour setting. Then rotate the Tuning control knob to select the minute and press Tuning control knob to confirm minute setting.
4. Rotate the Tuning control knob and the display will show the frequency options for the alarm. The alarm options are as follows:  
ONCE – the alarm will sound once  
DAILY – the alarm will sound everyday  
WEEKDAY – the alarm will sound only on weekdays  
WEEKEND – the alarm will sound only at weekends  
Press the Tuning control knob to confirm the setting.
5. During radio alarm symbol is flashing, rotate Tuning control knob to select desired wake-up band and station, then press Tuning control knob to confirm the selection.
6. Rotate Tuning control knob to select the desired volume and press Tuning control knob to confirm the volume. Radio alarm setting is now completed.

**Note:**

- If new radio alarm station is not selected, it will select the last alarm station.
- If the selected AM/FM alarm station is not available when the alarm is sounding, the buzzer alarm will be used instead.

**b. Setting HWS (Humane Wake System) buzzer alarm:**

A beep tone will activate when selecting the HWS buzzer alarm.

The alarm beep will sound shorter every 15 seconds

for one minute followed by one minute silence before repeating the cycle.

1. The buzzer alarm can be set either when the radio is on or off.
2. Press and hold the buzzer alarm button, the symbol and the display hour will flash along with a beep.
3. During buzzer alarm symbol flashes, rotate the Tuning control knob to select the hour and press the Tuning control knob again to confirm hour setting. Then rotate the Tuning control knob to select the minute and press Tuning control knob to confirm minute setting.
4. Rotate the Tuning control knob and the display will show the frequency options for the alarm.  
The alarm options are as follows:  
ONCE – the alarm will sound once  
DAILY – the alarm will sound everyday  
WEEKDAY – the alarm will sound only on weekdays  
WEEKEND – the alarm will sound only at weekends.  
Press the Tuning control knob to confirm the setting.

**Note:**

There is no volume adjustment for buzzer alarm.

### Stopping the alarm sound

To cancel a sounding alarm, press the Power button.

### Disable the alarm setting

To disable the alarm setting before the alarm sounds, press and hold the corresponding alarm button until alarm symbol disappears on the display.

### Snooze

1. When the alarm sounds, press any button other than the Power button will silence the alarm for 5 minutes. "SNOOZE" will appear on the display.
2. To adjust the silence time for the snooze timer, press and hold the Menu/Info button to enter the menu setting.
3. Rotate the Tuning control knob until "SNOOZE X" appears on the display, then press the Tuning control knob to enter the setting. Rotate the Tuning control knob to adjust the silence time from 5, 10, 15 and 20 minutes for the snooze timer.
4. To cancel the snooze timer while the alarm is suspended, press the Power button.

### Sleep timer

Your radio can be set to turn off automatically after a preset time has elapsed. The Sleep Timer setting can be adjusted between 60, 45, 30, 15, 120 and 90 minutes.

1. Press and hold the Power button to enter the Sleep Timer setting. "SLEEP XX" will show on the display.
2. Keep holding the Power button and the Sleep Timer options will start switching on the display. Stop until the desired Sleep Timer setting appears on the display.

The setting will be saved and the LCD will return to normal display.

3. Your radio will switch off automatically after the preset Sleep Timer has elapsed. The Sleep Timer icon will be shown on the display indicating an active Sleep Timer.
4. To cancel the Sleep Timer function before the preset time has elapsed, simply press the Power button to turn the unit off manually.

### Loudness

You can get compensation on lower and higher frequency for your radio by adjusting the loudness function.

1. Press and hold the Menu/Info button to enter the menu setting.
2. Rotate the Tuning control knob until "LOUD ON" or "LOUD OFF" appears on the display. Press the Tuning control knob to enter the setting.
3. Rotate the Tuning control knob to choose ON to turn on the loudness function, then press the Tuning control knob to confirm the setting.
4. To turn off the loudness function, select OFF and press the Tuning control knob to confirm the setting.

### Equalizer function

There are 7 kinds of color LED indicators around the Tuning control knob to indicate different EQ modes.

1. Press the Power button to switch on your radio.
2. Press the EQ control button to enter the EQ setting menu.
3. Rotate the Tuning control knob to select your required mode. Then press the Tuning control knob to confirm the selection.

EQ mode	LED indicator
FLAT	White
JAZZ	Blue
ROCK	Red
CLASSIC	Brown
POP	Pink
NEWS	Yellow
MY EQ	Green

### Set up My EQ profile

1. Press the EQ control button to enter the EQ setting menu.
2. Rotate the Tuning control knob to select "MY EQ". Then press the Tuning control knob to enter the "BASS" setting.
3. Rotate the Tuning control knob to select your required bass level. Press the Tuning control knob to enter the "MIDDLE" setting.
4. Rotate the Tuning control knob to select your required middle level. Press the Tuning control knob to enter the "TREBLE" setting.
5. Rotate the Tuning control knob to select your required treble level. Press the Tuning control knob to confirm

the setting.

**Note:**

- When using the equalizer to emphasize the bass and listening at high volume levels, it may cause sound cracking and distortion. In this case, adjust the radio volume appropriately.

## LISTENING TO MUSIC VIA BLUETOOTH STREAMING

You need to pair your Bluetooth device with the radio before you can auto-link to play/stream Bluetooth music through the radio. Pairing creates a 'bond' so two devices can recognize each other.

**Note:**

- To have the better sound quality, we recommend setting the volume to more than two-thirds level on your Bluetooth device and then adjust the volume on the radio as required.
- The radio can memorize up to 8 sets of paired device, when the memory exceed this amount, the oldest pairing history will be over written.

### Pairing your Bluetooth device for the first time

1. Press the Power button to turn on the radio. Press the Source button to select Bluetooth mode. The display will appear "BT PAIR" and "PAIR" will flash on the display.
2. Activate Bluetooth on your device according to the device's user manual to link to the radio. Locate the Bluetooth device list and select the device named 'DMR114' (With some mobiles which are equipped with earlier versions than BT2.1 Bluetooth device, you may need to input the pass code "0000").
3. Once connected, there will be a confirmation tone sound. "BLUETOOTH" will remain on the display and the backlight will be dim-out in 10 seconds. You can simply select and play any music from your source device. Volume control can be adjusted from your source device, or directly from the radio.
4. Use the controls on your Bluetooth-enabled device or on the radio to play/pause and navigate tracks.

**Note:**

- If 2 Bluetooth devices, pairing for the first time, both search for the radio, it will show its availability on both devices. However, if one device links with this unit first, then the other Bluetooth device won't find it on the list.
- If your Bluetooth device is temporarily disconnected to the radio, then you need to manually reconnect your device again to the radio.
- If 'DMR114' shows in your Bluetooth device list but your device cannot connect with it, please delete the item from your list and pair the device with the radio again

following the steps described previously.

- Optimum Bluetooth streaming range is roughly 10 meters (30 feet) (line of sight) to the radio but distance up to 30 meters (100 feet) are possible.
- If Bluetooth connection is lost due to exceeding time of separation, exceeding the optimum distance, obstacles or otherwise, reconnecting your device with the radio may be necessary.
- Physical obstacles, other wireless devices or electromagnetic devices may affect the connection quality.
- Bluetooth connectivity performance may vary depending on the connected Bluetooth devices. Please refer to the Bluetooth capabilities of your device before connecting to the radio. All features may not be supported on some paired Bluetooth devices.

### Playing audio files in Bluetooth mode

When you have successfully connected the radio with the chosen Bluetooth device you can start to play your music using the controls on your connected Bluetooth device.

1. Once playing has started adjust the volume to the required setting using the Volume knob on the radio or on your enabled Bluetooth device.
2. Use the controls on your Bluetooth source device to play/pause and navigate tracks. Alternatively, control the playback using Play/Pause, Next track, Previous track buttons on your radio.
3. Press and hold the Next track or Previous track button to move through the current track. Release the button when the desired point is reached.

**Note:**

- Some player applications or devices may not respond to all of these controls.
- Some mobile phones may temporarily disconnect from the radio when you make or receive calls. Some devices may temporarily mute their Bluetooth audio streaming when they receive text messages, emails or for other reasons unrelated to audio streaming. Such behaviour is a function of the connected device and does not indicate a fault with the radio.

### Playing a previously-paired Bluetooth source device

If your Bluetooth device already paired with the radio previously, the unit will memorize your Bluetooth device and it attempts to reconnect with a device in memory which is last connected. If the last connected device is not available, the radio will be discoverable.

### Disconnecting your Bluetooth device

Press and hold the Bluetooth pairing button for 2-3 seconds until "BT PAIR" is shown on the display or turn off Bluetooth on your Bluetooth device to disable the

connection.

You can also press the Source button to select any mode other than Bluetooth mode to disable the connection.

### Deleting Bluetooth paired device memory

To clear the memory of all paired devices, press and hold the Bluetooth pairing button more than 5 seconds until "CLEARING" shows on the display.

## AUXILIARY INPUT SOCKET

A 3.5mm Auxiliary input socket is provided at the front of your radio to permit an audio signal to be fed into the unit from an external audio device such as a MP3 or CD player.

1. Connect an external audio source (for example, MP3 or CD player) to the AUX IN socket.
2. Press the Power button to switch on your radio.
3. Repeatedly press and release the Source button until "AUX IN" is displayed.
4. To have the better sound quality, we recommend setting the volume to more than two-thirds level on your audio device and then adjust the volume on the radio as required.

**Note:**

Audio cord is not included as standard accessories.

## MAINTENANCE

**⚠ CAUTION:**

- Never use gasoline, benzine, thinner, alcohol or the like. Discoloration, deformation or cracks may result.
- Do not wash the radio with water.

## SPECIFICATIONS

Power requirements	
AC power adaptor	DC 12V 2.5A, center pin positive
Battery	UM-3 (AA size) x2 for back up Slide battery: 10.8V - 18V
Frequency coverage	FM 87.50 - 108 MHz (0.05MHz/step) AM(MW)522-1,710 kHz (9 kHz/step)

Bluetooth®	
(The Bluetooth® word mark and logos are registered trademarks owned by Bluetooth SIG, Inc.)	
Bluetooth version	5.0 Certified
Bluetooth Profiles	A2DP / SCMS-T / AVRCP
Transmission Power	Power Class2
Transmission Range	Optimum: Max.10 meters (33 feet) Possible: Max.30 meters (100 feet) (varies according to usage conditions)
Supported codec	SBC
Compatible Bluetooth profile	A2DP / AVRCP
Maximum radio-frequency power	BT EDR: 3.91dBm
Operating Frequency	2402MHz~2480MHz

Circuit feature	
Loudspeaker	2.5 inches 8 ohm x2 4 inches 6 ohm x1
Output power	10.8V-12V max: 2W X2 +10W 14.4V: 3W X2 +15W 18V: 5W X2 + 25W
Input terminal	3.5 mm dia. (AUX IN)
Antenna system	FM: Built-in antenna AM: bar antenna
Dimensions(L x W x H)	268 x 164 x 295 mm
Weight	4.9KG (without battery)

## FRANÇAIS (Instructions d'origine)



Lisez le manuel d'utilisation.



Uniquement pour les pays de l'UE.  
Ne jetez pas le matériel électrique ou le regroupement de batteries d'accumulateurs avec les déchets ménagers! Conformément aux directives européennes, sur les déchets d'équipements électriques et électroniques, des batteries et accumulateurs mais aussi des batteries et accumulateurs usagés, ainsi que leur mise en œuvre conformément aux lois nationales, aux équipements électriques et aux batteries et aux regroupements de batteries d'accumulateurs qui ont atteint leur fin de vie, doivent être collectés séparément et être renvoyé à une installation de recyclage suivant les directives pour l'environnement.

## INTERPRETATION DE LA VUE GÉNÉRALE (Fig. 1)

1. Antenne intégrée (AM)
2. Poignée/Antenne intégrée (FM)
3. Loquet du compartiment de la batterie
4. Clapet du compartiment de la batterie (recouvrant le bloc de batterie)
5. Haut-parleur
6. Prise DC IN
7. Caisson de basse
8. Bouton d'alimentation « Power »/Minuterie de mise en veille
9. Bouton Source
10. Bouton de l'alarme radio
11. Bouton d'alarme de type Buzzer
12. Bouton de présélection 3/Lecture/Pause
13. Bouton de présélection 5
14. Bouton de présélection 4/Piste suivante
15. Bouton Volume/réglage de la syntonisation/ de sélection
16. Bouton de réglage de l'EQ
17. Prise AUX IN
18. Prise d'alimentation USB
19. Bouton Menu/Info
20. Voyant LED du mode EQ
21. Bouton de présélection 2/Piste précédente
22. Bouton de présélection 1/Couplage Bluetooth
23. Écran LCD
24. Compartiment de la batterie/des piles
25. Compartiment des batteries/piles de secours

## ÉCRAN LCD

- A. Alarme Radio
- B. Alarme de type Buzzer
- C. Icône du mode Stéréo
- D. Indicateur de batterie faible
- E. Horloge
- F. Fréquence
- G. RDS (Radio data system)
- H. Icône de la minuterie de mise en veille
- I. Icône PM de l'horloge

## SYMBOLES

Les symboles utilisés pour l'équipement sont affichés ci-dessous. Soyez sûr de tout comprendre avant toute utilisation.

## INSTRUCTIONS IMPORTANTES DE SECURITE

### ⚠ AVERTISSEMENT:

Lorsque vous utilisez des outils électriques, des précautions de base devraient toujours être suivies pour réduire le risque d'incendie, d'électrocution et de blessures, notamment les précautions suivantes:

1. Lisez ce manuel d'utilisation attentivement ainsi que le manuel d'utilisation du chargeur avant de l'utiliser.
2. Nettoyez avec un chiffon sec.
3. N'installez pas à proximité de sources de chaleur telles que radiateurs, registre de chaleur, poêle ou autres appareils (y compris les amplificateurs) qui produisent de la chaleur.
4. N'utilisez que les extensions/accessoires spécifiés par le fabricant.
5. Débranchez cet appareil lors des orages ou lorsqu'il est inutilisé pendant une longue période.
6. Les batteries utilisées pour les radios, qu'elles soient intégrées ou séparées, doivent être rechargées uniquement à l'aide du chargeur de batterie spécifié. Un chargeur qui convient à un type de batterie peut créer un risque d'incendie s'il est utilisé avec une autre batterie.
7. Les radios fonctionnant à l'aide de batteries doivent être utilisées uniquement avec les batteries désignées. L'utilisation d'autres batteries peut créer un risque d'incendie.
8. Lorsque la batterie externe n'est pas utilisée, veuillez le tenir éloigner des autres objets métalliques tels que: les trombones, les pièces de monnaie, les clés, les clous, les vis ou les autres petits objets

métalliques qui peuvent établir une connexion d'une borne à un autre. Court-circuiter les bornes de la batterie peut provoquer des étincelles, des brûlures ou un incendie.

9. Évitez tout contact corporel avec des surfaces reliées à la terre telles que les tuyaux, les radiateurs, les cuisinières et les réfrigérateurs. Il y a un risque accru de choc électrique si votre corps est relié à la terre.
10. Dans des conditions extrêmes, du liquide peut être éjecté depuis la batterie; évitez tout contact avec le liquide. En cas de contact accidentel, rincez avec de l'eau. Si le liquide rentre en contact avec les yeux, consultez un médecin. Le liquide éjecté depuis la batterie peut causer des irritations ou des brûlures.
11. N'utilisez pas le regroupement de batteries d'accumulateurs ou un outil qui a été endommagé voire même modifié. Les batteries endommagées ou modifiées peuvent présenter un comportement imprévisible entraînant un incendie, une explosion ou un risque de blessure.
12. N'exposez pas une batterie ou un outil au feu ou à une température excessive. L'exposition au feu ou à une température supérieure à 130 °C (266°F) peut provoquer une explosion.
13. Suivez toutes les instructions de charge et ne chargez pas la batterie ou l'outil en dehors de la plage de température spécifiée dans les instructions. La charge incorrecte ou à des températures en dehors de la plage spécifiée peut endommager la batterie et augmenter le risque d'incendie.
14. Les prises SECTEUR sont utilisées comme dispositif de déconnexion, et elles doivent rester facilement accessibles.
15. N'utilisez pas le produit à un volume élevé durant une période prolongée. Pour éviter les dommages auditifs, utilisez-le produit à un niveau de volume modéré.
16. (pour les produits avec affichage à cristaux liquides seulement) les affichages à cristaux liquides incluent le liquide qui peut causer de l'irritation et un empoisonnement. Si le liquide pénètre dans les yeux, la bouche ou la peau, rincez avec de l'eau et appelez un médecin.
17. N'exposez pas le produit à la pluie ou à des environnements humides. L'eau pénétrant dans le produit augmente le risque de choc électrique.
18. Ce produit n'est pas destiné à être utilisé par des personnes (y compris des enfants) ayant des capacités physiques, sensorielles ou mentales réduites, ou un manque d'expérience et de connaissances, à moins qu'elles aient reçu une supervision ou une formation concernant l'utilisation du produit par une personne responsable pour leur sécurité. Les enfants doivent être surveillés pour s'assurer qu'ils ne jouent pas avec le produit.

Entreposez le produit hors de la portée des enfants.

## ENREGISTRER SES INSTRUCTIONS

### REGLES SPECIFIQUES DE SECURITE POUR LA CARTOUCHE DE BATTERIE

1. Avant d'utiliser la cartouche de batterie, lire toutes les instructions et les avertissements concernant (1) le chargeur de batterie, (2) la batterie, et (3) l'équipement utilisant la batterie.
2. Ne démontez pas la cartouche de batterie
3. Si le temps de fonctionnement devient excessivement court, cessez immédiatement l'utilisation. Il peut en résulter un risque de surchauffe, de brûlures et même d'explosion.
4. Si l'électrolyte pénètre dans vos yeux, rincez-les à l'eau claire et consultez un médecin immédiatement. Cela peut entraîner une perte de la vue.
5. Ne court-circuitez pas la cartouche de la batterie:
  - 1) Ne touchez pas les bornes avec un matériau conducteur.
  - 2) Évitez de ranger la cartouche de la batterie dans un conteneur avec d'autres objets métalliques tels que des clous, des pièces de monnaie, etc.
  - 3) N'exposez pas la cartouche de la batterie à l'eau ou à la pluie. Un court-circuit de la batterie peut provoquer un fort courant, une surchauffe, des brûlures et même une panne.
6. Ne rangez pas l'outil ou la cartouche de la batterie dans des endroits où la température peut atteindre ou dépasser 50°C (122°F)
7. N'incinerez pas la cartouche de la batterie même si elle est sérieusement endommagée ou complètement usée. La cartouche de la batterie peut exploser dans un feu.
8. Veillez ne pas laisser tomber ou heurter la batterie.
9. N'utilisez pas de batterie endommagée.
10. Pour éviter tout risque, le manuel de la batterie de remplacement de la batterie doit être lu avant utilisation. Le courant de décharge maximal de la batterie doit être supérieur ou égal à 8A
11. Les batteries lithium-ion sont soumises aux exigences de la législation sur les marchandises dangereuses. Pour les transports commerciaux, par ex. par des tiers, des agents de livraison, des exigences particulières en matière de conditionnement et d'étiquetage doivent être respectées. Pour la préparation de l'article à expédier, il est nécessaire de consulter un expert pour les matières dangereuses. Veuillez également observer des

réglementations nationales éventuellement plus détaillées.

Recouvrez par du scotch ou masquez les contacts ouverts et emballez la batterie de telle manière qu'elle ne puisse pas bouger dans l'emballage.

12. Suivez les réglementations locales relatives à l'élimination des batteries.
13. Utilisez les batteries uniquement avec les produits spécifiés par Makita. L'installation des batteries dans des produits non conformes peut entraîner un incendie, une chaleur excessive, une explosion ou une fuite d'électrolyte.

**⚠ MISE EN GARDE:**

- **Risque d'explosion si la batterie est incorrectement remplacée.**
- **Remplacez uniquement avec le même type ou équivalent.**
- **n'utilisez que des batteries Makita authentiques. L'utilisation de batteries Makita non authentiques, ou des batteries qui ont été modifiées, peut provoquer une explosion de la batterie provoquant des incendies, des blessures et des dégâts. Cela annulera également la garantie Makita pour l'outil Makita et le chargeur.**

## **Conseils pour maintenir la durée de vie de la batterie au maximum**

1. Chargez la cartouche de la batterie avant qu'elle ne soit complètement déchargée. Arrêtez toujours le fonctionnement de l'équipement et rechargez la cartouche de la batterie lorsque vous remarquez que la puissance de l'équipement est faible.
2. Rechargez jamais une cartouche de batterie qui est déjà complètement chargée. La surcharge réduit la durée de vie de la batterie.
3. Rechargez la cartouche de batterie à une température ambiante de 10°C à 40°C (50°F-104°F). Laissez la cartouche de batterie chaude se refroidir avant de la charger.
4. Rechargez la cartouche de batterie si vous ne l'utilisez pas pendant une longue période (plus de six mois).



# TEMPS DE FONCTIONNEMENT

\* Les blocs de batterie appropriés pour cette radio sont répertoriés dans le tableau suivant.

\* Le tableau suivant indique le temps de fonctionnement sur une seule charge.

Capacité de la batterie	Tension de la batterie			SORTIE DU HAUT-PARLEUR = 100 mW Unité: Heures (Approximative)	
	10.8V – 12Vmax	14.4V	18V	En mode Radio ou AUX	En mode Bluetooth + recharge USB
1.3 Ah		BL1415		3.5	0.7
			BL1815	4.0	1.0
1.5 Ah	BL1015 BL1016			6.0	0.8
		BL1415N BL1415NA		4.5	0.9
			BL1815N	5.0	1.2
2.0 Ah	BL1020B BL1021B			8.0	1.0
			BL1820 BL1820B	6.5	1.6
3.0 Ah		BL1430 BL1430B BL1430A		8.0	1.6
			BL1830 BL1830B	9.5	2.3
4.0 Ah	BL1040B BL1041B			16	2.1
		BL1440		13	2.5
			BL1840 BL1840B	13	3.2
5.0 Ah		BL1450		15	3.0
			BL1850 BL1850B	17	4.2
6.0 Ah		BL1460B BL1460A		17	3.3
			BL1860B	21	5.0

## **⚠ AVERTISSEMENT:**

**n'utilisez que les cartouches de batterie énumérées ci-dessus. L'utilisation de toute autre cartouche de batterie peut causer des blessures et/ou des incendies.**

### **Remarque:**

- Le tableau concernant la durée de fonctionnement de la batterie ci-dessus est présenté comme référence.
- Le temps de fonctionnement réel peut différer du type de la batterie, de la condition de la charge ou de l'environnement d'utilisation.

# INSTALLATION ET ALIMENTATION FOURNIE

## ⚠ ATTENTION:

- Veuillez faire attention à ne pas vous pincer les doigts en ouvrant ou fermant le clapet de la batterie.
- Remettez le loquet du compartiment de la batterie dans sa position initiale après l'ajout ou le retrait de la batterie. À défaut, elle risque de tomber accidentellement de la radio et de vous blesser ou de blesser une personne située près de vous.
- Fermez et verrouillez le compartiment de la batterie avant tout déplacement de la radio.
- Éteignez toujours la radio avant d'installer et de retirer le bloc de batterie.
- Prenez garde de ne pas laisser tomber ou cogner la radio. Le boîtier cassé pourrait vous entailler un doigt ou provoquer de plus graves blessures. La radio endommagée pourrait fonctionner de manière imprévisible, provoquant des risques de blessures, d'explosion ou d'incendie.

## IMPORTANT:

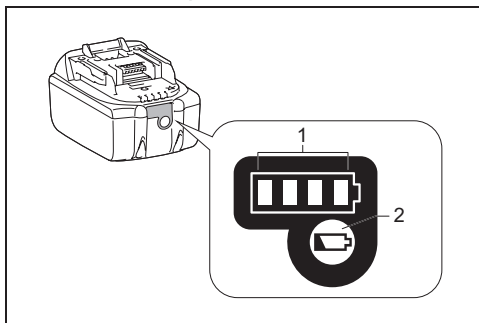
- Une baisse de puissance, une distorsion sonore, un son saccadé ou l'affichage de « POWERFAIL » (Défaillance de l'alimentation) sur l'écran sont les signes que le bloc de batterie principal a besoin d'être remplacé.
- Lorsque l'indicateur de batterie faible apparaît et que le message « EMPTY » (Vide) continue de clignoter, il est temps de remplacer les batteries/piles de secours.
- La batterie ne peut être chargée via l'adaptateur d'alimentation secteur fourni.
- La batterie n'est pas incluse dans les accessoires de base.

## Installation et retrait d'une batterie coulissante (Fig. 4 & 5)

- Pour installer la batterie, alignez sa languette sur la rainure qui se trouve à l'intérieur du logement, puis faites glisser la batterie pour la mettre en place. Insérez-la toujours bien à fond, jusqu'à ce qu'elle se verrouille en émettant un léger déclic.
- Si vous voyez le voyant rouge sur la face supérieure du bouton, la batterie n'est pas parfaitement verrouillée. Installez-la à fond, jusqu'à ce que le voyant rouge ne soit plus visible. À défaut, elle risque de tomber accidentellement de la radio et de vous blesser ou de blesser une personne située près de vous.
- N'appliquez pas une force excessive lors de l'insertion de la batterie. Si la batterie ne glisse pas aisément, elle n'est pas insérée correctement.
- Pour retirer la batterie, faites-la glisser hors de la radio tout en faisant glisser le bouton à l'avant de la cartouche.

## Indication de l'autonomie restante de la batterie

\* Uniquement pour les batteries dont le numéro de modèle se termine par la lettre « B ».



➤ 1. Voyant des Lampes 2. Bouton de vérification

Appuyez sur le bouton de vérification pour indiquer l'autonomie restante de la batterie. Les voyants s'allument alors pendant quelques secondes.

### • Batteries de 14,4V/18V

Voyant des lampes			Capacité restante
Allumés	Eteintes	Clignotant	
■ ■ ■ ■			75% ~ 100%
■ ■ ■ □			50% ~ 75%
■ ■ □ □			25% ~ 50%
■ □ □ □			0% ~ 25%
▣ □ □ □			Rechargez la batterie
■ ■ □ □	□ □	■ ■	La batterie semble mal fonctionnée

### • Batteries de 10,8V-12V max

Voyant des lampes			Capacité restante
Allumés	Eteintes	Clignotant	
■ ■ ■ ■			75% ~ 100%
■ ■ ■ □			50% ~ 75%
■ ■ □ □			25% ~ 50%
■ □ □ □			0% ~ 25%

## REMARQUE:

Selon les conditions d'utilisation et la température ambiante, le voyant peut différer légèrement de la capacité réelle.

## Installation de la batterie/piles de secours (Fig. 2 & 3)

L'insertion de piles de secours à l'intérieur du compartiment empêche la perte de données des présélections stockées en mémoire.

1. Tirez sur le loquet du compartiment de la batterie pour libérer le compartiment. Il y a le compartiment de du bloc de batterie principal et le compartiment de la batterie de secours.
2. Enlevez le clapet du compartiment et insérez 2 piles UM-3 neuves (format AA). Assurez-vous que les piles ont la polarité correcte, comme indiqué à l'intérieur du compartiment. Remplacez le clapet du compartiment de la batterie.
3. Une fois les piles de secours insérées, insérez le bloc de batterie principal pour alimenter la radio.

## Utilisation de l'adaptateur secteur fourni

Retirez la protection en caoutchouc et insérez la fiche de l'adaptateur dans la prise CC située sur le côté droit de la radio. Branchez l'adaptateur dans une prise secteur standard. Chaque fois que l'adaptateur est utilisé, la batterie est automatiquement déconnectée.

### ⚠ ATTENTION:

- **Déconnectez toujours complètement l'adaptateur secteur avant de déplacer la radio. Si l'adaptateur secteur n'est pas retiré, cela peut provoquer un risque d'électrocution.**
- **Ne jamais tirer et trainer le cordon de l'adaptateur. Si vous le faites, la radio risque de tomber accidentellement, vous blessant ou blessant les gens situés autour de vous.**

### IMPORTANT:

- L'adaptateur secteur est utilisé pour connecter la radio à l'alimentation secteur. La prise secteur utilisée pour la radio doit rester accessible pendant l'utilisation normale.
- Pour déconnecter la radio, débranchez complètement l'adaptateur secteur de la prise de courant.
- Utilisez l'adaptateur secteur fourni avec le produit ou uniquement celui spécifié par MAKITA.
- Ne tenez pas le câble d'alimentation et ne le mettez pas dans votre bouche. Cela peut provoquer un choc électrique.
- Ne touchez pas le câble d'alimentation avec les mains mouillées ou grasses.
- Les cordons endommagés ou emmêlés augmentent le risque d'électrocution. Si le cordon est endommagé, faites-le remplacer par notre centre de service autorisé

afin d'éviter tout risque de sécurité. Ne l'utilisez surtout pas avant la réparation.

- Après utilisation, rangez toujours l'adaptateur secteur hors de la portée des enfants. Si les enfants jouent avec le cordon d'alimentation, ils encourent des risques de blessures.

### Remarque:

Lorsque votre radio est soumis à des interférences dû à la proximité de son adaptateur en mode AM, éloignez-la donc de son adaptateur secteur de plus de 30cm.

## Rechargement à partir du port USB

Le port USB se trouve sur la façade de la radio. Vous pouvez charger l'appareil USB à partir du port USB.

1. Branchez l'appareil USB, par exemple un lecteur MP3 ou un lecteur CD, à l'aide d'un câble USB vendu dans le commerce.
2. Appuyez sur le bouton d'alimentation « Power » pour allumer votre radio.
3. Peu importe que la radio soit branchée sur secteur ou alimentée par batterie, elle est en mesure de charger l'appareil USB lorsqu'elle est allumée et en mode radio FM, en mode BT ou en mode AUX, lesquels apparaissent lorsqu'une source audio externe est raccordée.

### Remarque:

- Vous ne pouvez pas recharger de périphériques USB en mode AM car la réception du signal radio devient extrêmement mauvaise lors de la recharge d'un périphérique USB.
- Le volume maximum du haut-parleur émettant la puissance de sortie diminue lors du rechargement à partir du port USB.
- La prise USB peut fournir un courant électrique maximum de 2.4A ou 5 V.

### Important:

- Avant de brancher votre appareil USB au port USB, sauvegardez toujours vos données enregistrées sur l'appareil USB. Dans le cas contraire, vous risquez de les perdre par accident.
- Il est possible que la radio ne puisse pas alimenter certains appareils USB.
- Retirez le câble USB et fermez le couvercle lorsque vous ne l'utilisez pas ou lorsque le chargement est terminé.
- Ne branchez pas une source d'alimentation dans le port USB. Il y a un risque d'incendie. Le port USB est destiné uniquement au rechargement d'appareils de faible tension. Placez toujours le couvercle sur le port USB lorsque vous ne rechargez pas d'appareils de faible tension.
- N'insérez pas de clou, fil, etc., dans le port USB. Vous pourriez provoquer un court-circuit et déclencher un incendie et la formation de fumée.

- Ne branchez pas cette prise USB dans le port USB de votre PC, au risque de provoquer une panne des appareils.

## FONCTIONNEMENT DE LA RADIO

### Syntonisation et recherche des stations AM/FM

#### Remarque:

l'antenne FM est intégrée à la poignée. Lorsque vous utilisez la radio, veuillez redresser correctement la poignée au-dessus de la radio pour améliorer la réception. Pour la bande AM, tournez la radio pour obtenir le meilleur signal possible car l'antenne AM est intégrée à la radio.

1. Appuyez sur le bouton d'alimentation « Power » pour allumer votre radio.
2. Appuyez sur le bouton Source pour sélectionner la bande AM ou FM.
3. Maintenez le bouton de réglage de la syntonisation enfoncé pour effectuer une recherche automatique. Votre radio recherchera dans la bande AM/FM à partir de la fréquence actuellement affichée dans un ordre croissant et cessera la recherche automatiquement quand elle trouvera une station avec un signal suffisamment fort.
4. Après quelques secondes, l'écran d'affichage se mettra à jour. L'écran indiquera la fréquence du signal trouvé.
5. Pour trouver une autre station, maintenez le bouton de réglage de la syntonisation enfoncé comme précédemment.
6. Lorsque la fin de la bande de fréquences est atteinte, votre radio recommencera à syntoniser à partir de son extrémité opposée (de la fin jusqu'au début de la bande).
7. Tournez le bouton de réglage de la syntonisation pour régler le niveau sonore selon vos besoins.

#### Remarque:

- Lors du réglage du volume, assurez-vous que l'icône FM/AM NE clignote PAS à l'écran.
  - Si l'icône AM/FM clignote à l'écran, vous pourrez alors syntoniser les stations manuellement (voir la section « Syntonisation manuelle - AM/FM » pour plus de détails).
  - Le volume ne doit pas être trop élevé. Pour éviter tout dommage auditif, n'écoutez pas à un volume élevé pendant de longues périodes.
8. Pour éteindre votre radio, appuyez sur le bouton d'alimentation « Power ».

### Syntonisation manuelle – AM/FM

1. Appuyez sur le bouton d'alimentation « Power » pour allumer votre radio.

2. Appuyez sur le bouton Source pour sélectionner la bande AM ou FM.
3. Appuyez sur le bouton de réglage de la syntonisation et vous verrez que l'icône FM ou AM clignote à l'écran.

#### Remarque:

- L'icône FM/AM clignotera pendant environ 10 secondes. Pendant cette période, seule la syntonisation manuelle peut être réalisée.
  - Si vous souhaitez régler le volume lorsque l'icône FM/AM clignote, appuyez sur le bouton de réglage de la syntonisation pour arrêter le clignotement. Vous pouvez également tourner le bouton de réglage de la syntonisation pour régler le niveau sonore.
4. Tournez le bouton de réglage de la syntonisation pour syntoniser une station.
  5. Lorsque la fin de la bande de fréquences est atteinte, votre radio recommencera à syntoniser à partir de son extrémité opposée (de la fin jusqu'au début de la bande).
  6. Tournez le bouton de réglage de la syntonisation pour régler le niveau sonore selon vos besoins.

### Présélection des stations pour la bande AM/FM

Il y a 5 stations préréglées chacune pour la radio AM et FM. Elles sont utilisées de la même manière pour chaque bande de fréquences.

1. Appuyez sur le bouton d'alimentation « Power » pour allumer votre radio.
2. Appuyez sur le bouton Source pour sélectionner la bande de fréquences souhaitée (AM ou FM). Syntonisez la station de radio requise comme décrit précédemment.
3. Appuyez sur le bouton de présélection requis (1 à 5) et maintenez-le enfoncé jusqu'à ce que « P4 » s'affiche par exemple après la fréquence. La station sera mémorisée sous le numéro de la présélection. Répétez à votre guise cette procédure pour les présélections restantes.
4. Les stations présélectionnées déjà mémorisées peuvent être écrasées en suivant la procédure ci-dessus si nécessaire.

### Modes d'affichage – FM

Votre radio possède plusieurs options d'affichage pour la bande FM.

Appuyez à plusieurs reprises sur le bouton Menu/Info pour afficher les informations RDS (Radio Data System) de la station que vous écoutez.

- a. Nom de station Affiche le nom de la station actuellement écoutée.
- b. Type de programme Affiche le type de la station actuellement écoutée telle que Pop, Classique, Nouveautés, etc.

- c. Radiotexte Affiche les messages texte de la radio comme nouvel élément, etc.
- d. Jour/Année Affiche l'année et le jour de la semaine en fonction du réglage de la date de votre radio
- e. Date/jour Affiche la date et le jour de la semaine selon le réglage de la date de votre radio.
- f. Mode EQ Affiche le mode EQ de la station FM que vous écoutez.
- g. Fréquence Affiche la fréquence de la station FM que vous écoutez.

## FM stéréo (auto)/mono

Si la station de la radio FM écoutée a un faible signal, des sifflements peuvent se faire entendre. Il est possible de réduire ce sifflement en forçant la radio à jouer la station en mono et non en stéréo.

1. Appuyez plusieurs fois sur le bouton Source jusqu'à sélectionner la bande FM et syntonisez la station FM souhaitée, comme indiqué précédemment.
2. Appuyez et maintenez le bouton Menu/Info pour entrer dans le réglage du menu.
3. Tournez le bouton de réglage de la syntonisation jusqu'à ce que le réglage « AUTO FM (ou MONO) » s'affiche sur l'écran. Si le réglage est sur AUTO, appuyez sur le bouton de réglage de la syntonisation et tournez-le pour passer en mode MONO pour réduire le sifflement. Appuyez sur le bouton de réglage de la syntonisation pour confirmer le réglage.

## Rappel d'une présélection en mode AM/FM

1. Appuyez sur le bouton d'alimentation « Power » pour allumer votre radio.
2. Appuyez sur le bouton Source pour sélectionner la bande AM ou FM.
3. Appuyez sur le bouton de présélection désiré pour avoir votre radio syntonisée à l'une des stations présélectionnées en mémoire.

## REGLAGES DIVERS

### Réglage du format de l'heure et de la date

L'affichage de l'horloge utilisée en mode veille et sur les écrans en mode de lecture peut être définie selon différents formats. Le format sélectionné est alors également utilisé lors de la configuration des alarmes.

1. Appuyez et maintenez le bouton Menu/Info pour entrer dans le menu du réglage.
2. Tournez le bouton de réglage de la syntonisation jusqu'à ce que « CLOCK xxH » (Horloge xxH) apparait à l'écran. Appuyez sur le bouton de réglage de la syntonisation pour entrer dans le menu. Vous verrez

alors le format de l'heure clignoter.

3. Tournez le bouton de réglage de la syntonisation pour sélectionner soit le format 12 heures ou celui de 24 heures. Appuyez sur le bouton de réglage de la syntonisation pour confirmer le choix du format de l'horloge.

#### Remarque:

si vous choisissez le format 12 heures, la radio utilisera alors l'horloge de 12 h comme paramètre système de votre radio (avec icône PM).

4. Appuyez et maintenez le bouton de Menu/Info pour accéder au menu du réglage.
5. Tournez le bouton de réglage de la syntonisation jusqu'à ce que l'écran affiche une date (par exemple JEU 3 AVR). Appuyez sur le bouton de réglage de la syntonisation pour entrer dans le menu du format de la date. Vous verrez alors le format de la date clignoter.
6. Tournez le bouton de réglage de la syntonisation pour sélectionner le format de la date requis. Appuyez le bouton de réglage de la syntonisation pour confirmer votre choix de format de date. Appuyez sur le bouton de réglage de la syntonisation pour confirmer votre choix.

### Réglage de l'heure et de la date

1. Appuyez et maintenez enfoncé le bouton Menu/Info.
2. Tournez le bouton de réglage de la syntonisation jusqu'à ce que « CLOCKADJ » (Réglage de l'horloge) apparaisse à l'écran. Appuyez sur le bouton de réglage de la syntonisation pour entrer le menu.
3. Le réglage de l'heure sur l'écran se mettra à clignoter. Tournez le bouton de réglage de la syntonisation pour sélectionner l'heure désirée et appuyez le bouton de réglage de la syntonisation pour confirmer le réglage. Puis tournez le bouton de réglage de la syntonisation pour sélectionner les chiffres des minutes désirés et appuyez sur le bouton de réglage de la syntonisation pour confirmer le réglage.
4. Tournez le bouton de réglage de la syntonisation jusqu'à ce que « DATE ADJ » (Réglage de la date) apparaisse à l'écran. Appuyez sur le bouton de réglage de la syntonisation pour confirmer le réglage.
5. Tournez le bouton de réglage de la syntonisation pour sélectionner l'année désirée, appuyez sur le bouton de réglage de la syntonisation pour confirmer le réglage. Puis faites tourner le bouton de réglage de la syntonisation pour sélectionner le mois souhaité. Appuyez sur le bouton de réglage de la syntonisation pour confirmer le réglage. Tournez ensuite le bouton de réglage de la syntonisation pour sélectionner la date voulue. Appuyez sur le bouton de réglage de la syntonisation pour confirmer le réglage.

## Radio Data System (RDS)

Lorsque vous définissez l'heure de l'horloge à l'aide de la fonction RDS, votre radio synchronisera son horloge chaque fois qu'elle syntonise une station de radio à l'aide des signaux CT du RDS.

1. Lorsque vous syntonisez une station transmettant des données RDS, l'icône RDS sera affichée à l'écran. Appuyez et maintenez le Bouton Menu/info.
2. Tournez le bouton de réglage de la syntonisation jusqu'à ce que « RDS CT » et l'icône de l'horloge apparaisse à l'écran. Appuyez sur le bouton de réglage de la syntonisation pour entrer dans le menu.
3. Tournez le bouton de réglage de la syntonisation jusqu'à ce que « RDS CT » apparaisse à l'écran. Appuyez sur le bouton de réglage de la syntonisation pour confirmer le réglage. L'heure de l'horloge de la radio sera définie automatiquement selon les données RDS reçues.

### Remarque:

- L'heure de l'horloge de la radio sera valide pendant 5 jours à chaque synchronisation de l'heure de la radio avec la fonction RDS CT.
- Pour désactiver la fonction RDS CT, revenez aux étapes 1 et 2, puis tournez le bouton de réglage de la syntonisation pour sélectionner l'option « MANUAL » (Manuel). Appuyez sur le bouton de réglage de la syntonisation pour confirmer le réglage.

## Réglage de l'heure de l'alarme

Votre radio possède deux alarmes qui peuvent chacun être réglés pour vous réveiller, via la radio AM/FM, ou une alarme de type Buzzer. Les alarmes peuvent être définies lorsque l'appareil est en veille ou en lecture.

### Remarque:

veillez à ce que l'horloge soit réglé correctement avant de régler les alarmes. Si aucun bouton n'est pressé pendant 10 secondes, la radio quittera le programme de réglage de l'alarme.

#### a. Réglage de l'heure de l'alarme radio:

1. L'alarme radio peut être réglée lorsque la radio est allumée ou éteinte.
2. Appuyez sur le bouton de l'alarme radio et maintenez-le enfoncé. L'icône de l'alarme radio et l'affichage de l'heure clignoteront en émettant un bip.
3. Pendant que l'icône de l'alarme radio clignote, tournez le bouton de réglage de la syntonisation pour sélectionner l'heure, puis appuyez à nouveau sur le bouton de réglage de la syntonisation pour confirmer le réglage de l'heure. Tournez ensuite le bouton de réglage de la syntonisation pour sélectionner les minutes, puis appuyez sur le bouton de réglage de la syntonisation pour confirmer le réglage des minutes.
4. Tournez le bouton de réglage de la syntonisation pour que l'écran affiche les options de fréquence pour l'alarme.

Les options de l'alarme seront telles que:

ONCE- Une fois – l'alarme se déclenche une seule fois

DAILY- Tous les jours – l'alarme se déclenche tous les jours

WEEKDAY- Jour de la semaine – l'alarme se déclenche uniquement en semaine

WEEKEND- l'alarme se déclenche uniquement pendant les week-ends

Appuyez le bouton de réglage de la syntonisation pour confirmer le réglage.

5. Pendant que l'icône de l'alarme radio clignote, tournez le bouton de réglage de la syntonisation pour sélectionner la bande (AM ou FM) et la station de réveil souhaitées, puis appuyez sur le bouton de réglage de la syntonisation pour confirmer la sélection.
6. Tournez le bouton de réglage de la syntonisation pour sélectionner le volume souhaité, puis appuyez sur le bouton de réglage de la syntonisation pour confirmer le niveau de volume désiré. Le réglage de l'alarme radio est maintenant terminé.

### Remarque:

- Si la nouvelle station de l'alarme radio n'est pas sélectionnée, la dernière station de l'alarme sera choisie.
- Si la station de l'alarme AM/FM sélectionnée n'est pas disponible lorsque l'alarme sonne, l'alarme de type Buzzer sera utilisée.

#### b. Réglage de l'alarme de type Buzzer HWS (Humane Wake System):

Un bip retentira lors de la sélection de l'alarme de type Buzzer HWS.

L'alarme de type Buzzer retentira toutes les 15 secondes pendant une minute suivie par une minute de silence avant de répéter le même schéma de façon cyclique.

1. L'alarme de type Buzzer peut être réglée lorsque la radio est allumée ou éteinte.
2. Appuyez sur le bouton de l'alarme de type Buzzer et maintenez-le enfoncé. L'icône de l'alarme de type Buzzer et l'affichage de l'heure clignoteront en émettant un bip.
3. Pendant que l'icône de l'alarme de type Buzzer clignote, tournez le bouton de réglage de la syntonisation pour sélectionner l'heure, puis appuyez à nouveau sur le bouton de réglage de la syntonisation pour confirmer le réglage de l'heure. Tournez ensuite le bouton de réglage de la syntonisation pour sélectionner les minutes, puis appuyez sur le bouton de réglage de la syntonisation pour confirmer le réglage des minutes.
4. Tournez le bouton de réglage de la syntonisation pour afficher les options de fréquence pour l'alarme. Les options de l'alarme seront telles que:  
ONCE- Une fois – l'alarme se déclenche une seule fois

DAILY- Tous les jours – l’alarme se déclenchera tous les jours

WEEKDAY- Jour de la semaine – l’alarme se déclenchera uniquement en semaine

WEEKEND- l’alarme se déclenchera uniquement pendant les week-ends

Appuyez le bouton de réglage de la syntonisation pour confirmer le réglage.

#### Remarque:

il n’y a aucun réglage de niveau de volume pour l’alarme de type Buzzer.

### Arrêter une alarme qui retentit

Pour désactiver une alarme qui sonne, appuyez sur le bouton d’alimentation « Power » pour l’annuler.

### Désactiver/annuler les alarmes

Pour annuler le réglage de l’alarme avant que l’alarme ne sonne, appuyez et maintenez le bouton de l’alarme correspondant enfoncé jusqu’à ce l’icône de l’alarme disparaît de l’écran.

### Répétition d’alarme (Fonction Snooze)

1. Lorsque l’alarme sonne, appuyez sur n’importe quel bouton, autre que le bouton « Power », pour faire taire l’alarme pendant 5 minutes. « SNOOZE » apparaîtra à l’écran.
2. Pour régler le temps de silence via la minuterie de la fonction Snooze, appuyez et maintenez enfoncé le bouton Menu/Info pour entrer dans le réglage du menu.
3. Tournez le bouton de réglage de la syntonisation jusqu’à ce que « SNOOZE X » apparaisse à l’écran. Appuyez sur le bouton de réglage de la syntonisation pour entrer dans le menu. Tournez le bouton de réglage de la syntonisation pour choisir le temps de silence de 5, 10, 15 et 20 minutes pour la minuterie de la répétition d’alarme.
4. Pour annuler la minuterie de la répétition d’alarme lorsque l’alarme est suspendue, appuyez sur la bouton « Power ».

### Minuterie de mise en veille

Votre radio peut être régler pour s’éteindre automatiquement après qu’une durée prédéterminée soit écoulée. La minuterie de mise en veille peut être réglée entre 60, 45, 30, 15, 120 ou 90 minutes.

1. Appuyez et maintenez le bouton d’alimentation « Power » pour entrer dans le réglage de la minuterie de mise en veille. « SLEEP XX » s’affichera sur l’écran.
2. Maintenez appuyer le bouton d’alimentation « Power » et les options de la minuterie de mise en veille commenceront à défiler à l’écran. Arrêtez quand le paramètre de la minuterie de mise en veille désirée

s’affiche à l’écran. Le réglage sera enregistré et l’écran LCD retournera à l’affichage normal.

3. Votre radio s’éteindra automatiquement après que la minuterie de mise en veille préréglée soit écoulée. L’icône de la minuterie de mise en veille s’affiche sur l’écran pour indiquer qu’une minuterie de mise en veille est active.
4. Pour annuler la fonction de minuterie de mise en veille avant que la durée préréglée soit écoulée, appuyez sur le bouton d’alimentation « Power » pour mettre manuellement l’appareil hors tension.

### Intensité sonore (loudness)

Vous pouvez compenser sur les basses et les hautes fréquences pour votre radio en ajustant la fonction d’Intensité sonore (Loudness).

1. Maintenez enfoncé le bouton Menu/Info pour entrer dans les paramètres du menu.
2. Tournez le bouton de réglage de la syntonisation jusqu’à ce que « LOUD ON » ou « LOUD OFF » (Fonction d’Intensité sonore activée/désactivée) apparaisse à l’écran. Appuyez sur le bouton de réglage de la syntonisation pour entrer dans le menu.
3. Tournez le bouton de réglage de la syntonisation pour choisir « ON » (Activée) pour activer la fonction d’Intensité sonore, puis appuyez sur le bouton de réglage de la syntonisation pour confirmer le réglage.
4. Pour désactiver la fonction d’Intensité sonore, sélectionnez « OFF » (Désactivée), puis appuyez sur le bouton de réglage de la syntonisation pour confirmer le réglage.

### Fonction d’égaliseur

Il existe 7 couleurs de voyant LED différents autour du bouton de réglage de la syntonisation pour indiquer les divers modes de l’égalisateur.

1. Appuyez sur le bouton d’alimentation « Power » pour allumer votre radio.
2. Appuyez sur le bouton du mode EQ pour accéder au menu de réglage de l’EQ.
3. Tournez le bouton de réglage de la syntonisation pour sélectionner le mode souhaité. Appuyez ensuite sur le bouton de réglage de la syntonisation pour confirmer la sélection.

Mode EQ	Voyant LED
PLAT	Blanc
JAZZ	Bleu
ROCK	Rouge
CLASSIQUE	Marron
POP	Rose
NOUVEAUTÉS	Jaune
Mon EQ	Vert

## Réglage du profile Mon EQ (Mon égaliseur)

1. Appuyez sur le bouton du mode EQ pour accéder au menu de réglage de l'EQ.
2. Tournez le bouton de réglage de la syntonisation pour sélectionner « Mon EQ ». Appuyez ensuite sur le bouton de réglage de la syntonisation pour entrer dans le menu « BASSES ».
3. Tournez le bouton de réglage de la syntonisation pour sélectionner le niveau des basses souhaité. Appuyez sur le bouton de réglage de la syntonisation pour entrer dans le menu « MEDIUM ».
4. Tournez le bouton de réglage de la syntonisation pour sélectionner le niveau des médiums souhaité. Appuyez sur le bouton de réglage de la syntonisation pour entrer dans le menu « AIGUS ».
5. Tournez le bouton de réglage de la syntonisation pour sélectionner le niveau des aigus souhaité. Appuyez sur le bouton de réglage de la syntonisation pour confirmer le réglage.

### Remarque:

- Lorsque vous utilisez l'égaliseur pour accentuer les basses et que vous écoutez à un volume sonore élevé, cela peut provoquer des craquements sonores et une distorsion du son. Dans ce cas, réglez le volume de la radio de manière appropriée.

## Écouter de la musique via le streaming Bluetooth

Vous devez coupler votre appareil Bluetooth avec la radio avant que vous puissiez le relier automatiquement pour lire/diffuser de la musique Bluetooth via la radio. Le couplage crée un « lien » afin que deux appareils puissent se reconnaître mutuellement.

### Remarque:

- Pour avoir une meilleure qualité sonore, nous vous conseillons de régler le volume à plus des deux tiers sur votre appareil Bluetooth, puis ajustez le volume sur la radio au besoin.
- Votre radio peut mémoriser jusqu'à 8 appareils couplés, lorsque la mémoire dépasse ce nombre, le premier appareil couplé sera remplacé.

## Coupler votre appareil Bluetooth pour la première fois

1. Appuyez sur le bouton d'alimentation « Power » pour allumer la radio. Appuyez sur le bouton Source pour sélectionner le mode Bluetooth. « BT PAIR » (couplage Bluetooth) et « PAIR » (Couplage) clignoteront à l'écran.
2. Activez le Bluetooth sur votre appareil conformément au manuel d'instruction pour le relier à votre radio. Situez la liste des appareils Bluetooth et choisissez

l'appareil nommé « DMR114 ». (Avec certains portables équipés de versions antérieures aux appareils Bluetooth BT2.1, vous devrez saisir un mot de passe « 0000 »).

3. Une fois connecté, il y aura une tonalité de confirmation. « BLUETOOTH » restera affiché et le rétroéclairage s'éteindra 10 secondes plus tard. Vous pouvez simplement sélectionner et lire de la musique à partir de votre appareil source. Le contrôle du volume peut se faire à partir de votre appareil source, ou directement à partir de la radio.
4. Utilisez les commandes de l'appareil avec la fonction Bluetooth ou de votre radio pour lire/mettre en pause et naviguer entre les pistes.

### Remarque:

- Si 2 appareils Bluetooth, effectuent le couplage pour la première fois, les deux à la fois recherchent la radio, il sera affiché la disponibilité sur les deux appareils. Toutefois, si l'un des d'appareils se lie avec cet appareil d'abord, l'autre appareil Bluetooth ne la trouvera pas sur la liste.
- Si votre périphérique Bluetooth est temporairement déconnecté de votre radio, alors vous devez reconnecter manuellement votre appareil à nouveau avec la radio.
- Si «DMR114 » est affiché dans votre liste d'appareils Bluetooth, mais que votre appareil ne peut pas se connecter avec elle, veuillez supprimer l'élément de votre liste et coupez de nouveau l'appareil avec la radio en suivant les étapes décrites précédemment.
- La portée de fonctionnement optimale du Bluetooth est d'environ 10 mètres (30 pieds) (ligne de visée) vers la radio, mais une distance de jusqu'à 30 mètres (100 pieds) est possible.
- Si la connexion Bluetooth est perdue en raison d'une durée de séparation trop longue, d'un dépassement de la portée, de présence d'obstacles ou autres il peut être nécessaire de reconnecter votre appareil à la radio.
- Les obstacles physiques, les autres appareils sans fil ou les appareils électromagnétiques peuvent affecter la qualité de la connexion.
- La performance de connectivité Bluetooth peut varier en fonction des appareils Bluetooth connectés. Référez-vous aux fonctionnalités Bluetooth de votre appareil avant de connecter votre radio. Toutes les fonctions ne seront peut-être pas compatibles sur certains appareils Bluetooth.

## Lire des fichiers audio en mode Bluetooth

Lorsque vous avez correctement connecté votre radio avec l'appareil Bluetooth de votre choix, vous pouvez commencer à lire votre musique en utilisant les contrôles sur votre appareil Bluetooth connecté.



## PRISE D'ENTRÉE AUXILIAIRE

La radio est équipée d'une prise d'entrée auxiliaire de 3,5 mm située à l'arrière pour permettre à un signal audio d'être transmis dans l'unité depuis un appareil audio externe comme un lecteur MP3 ou lecteur CD.

1. Connectez une source audio externe (par exemple, MP3 ou lecteur CD) à la prise d'entrée auxiliaire AUX IN.
2. Appuyez sur le bouton d'alimentation « Power » pour allumer votre radio.
3. Appuyez à plusieurs reprises sur le bouton Source jusqu'à ce que AUX IN s'affiche.
4. Pour avoir une meilleure qualité sonore, nous vous conseillons de régler le volume à plus des deux tiers sur votre appareil Bluetooth, puis ajustez le volume sur la radio au besoin.

### REMARQUE:

le cordon audio n'est pas inclus en tant qu'accessoires standard.

## ENTRETIEN

### ⚠ ATTENTION:

- N'utilisez jamais d'essence, de benzine, de diluant, d'alcool ou de produit similaire. Ces produits risquent de provoquer des décolorations, des déformations ou des fissures.
- Ne lavez pas la radio avec de l'eau.

1. Une fois que la lecture a commencé, réglez le volume sur la valeur souhaitée en utilisant les boutons de volume de votre radio ou sur votre appareil avec Bluetooth activé.
2. Utilisez les commandes sur l'appareil source connecté en Bluetooth pour les fonctions de lecture/pause et naviguez entre les pistes.  
Vous pouvez également contrôler la lecture à l'aide des boutons Lecture/pause, Piste suivante, Piste précédente sur la radio.
3. Maintenez appuyé le bouton Piste suivante ou Piste précédente pour vous déplacer au sein de la piste en cours. Relâchez le bouton lorsque vous avez atteint le point souhaité.

### Remarque:

- Toutes les applications du lecteur ou tous les appareils ne répondront pas forcément à toutes ces commandes.
- Certains téléphones mobiles peuvent se déconnecter temporairement de votre radio lorsque vous donnez ou recevez des appels. Certains appareils peuvent couper temporairement leur streaming audio Bluetooth quand ils reçoivent des messages texte, e-mails ou pour d'autres raisons non liées au comportement du streaming audio. Ce comportement est une fonction de l'appareil connecté et ne constitue pas un défaut de votre radio.

### Lecture d'un périphérique source Bluetooth précédemment couplé

Si votre appareil Bluetooth a déjà été couplé avec la radio précédemment, l'unité mémorisera votre appareil Bluetooth et essaiera de se reconnecter avec l'appareil qui a été le dernier connecté enregistré en mémoire. Si le dernier appareil connecté n'est pas disponible, la radio ne sera pas détectable.

### Déconnecter votre appareil Bluetooth

Appuyez sur le bouton de couplage Bluetooth et maintenez-le enfoncé pendant 2 à 3 secondes jusqu'à ce que « BT PAIR » (Couplage Bluetooth) apparaisse à l'écran ou désactivez le Bluetooth sur votre périphérique connecté en Bluetooth pour désactiver la connexion. Vous pouvez également appuyer sur le bouton Source pour sélectionner un mode autre que le mode Bluetooth afin de désactiver la connexion.

### Effacer la mémoire de l'appareil Bluetooth couplé

Pour effacer la liste de tous les appareils couplés de la mémoire de l'appareil, appuyez et maintenez le bouton de couplage Bluetooth enfoncé pendant plus de 5 secondes, jusqu'à ce que « CLEARING » (Suppression en cours) s'affiche à l'écran.

# SPÉCIFICATIONS

Puissance consommée	
Adaptateur secteur	12V C.C. 2.5A, broche centrale positive
Batteries	Batterie de secours: UM-3 (format AA) x2 Batterie coulissante: 10,8V – 18V
Gamme de fréquences	87,50-108 MHz pour la bande FM (0,05 MHz/incrémentation) 522-1,710kHz pour la bande AM (MW) (9 kHz/incrémentation)

Bluetooth®	
(La marque verbale et les logos Bluetooth® sont des marques déposées de Bluetooth SIG, Inc.)	
Version Bluetooth	Certifié 5.0
Profils Bluetooth	A2DP/SCMS-T/AVRCP
Puissance d'émission	Classe 2 de puissance
Portée d'émission	Optimale: 10 mètres max. (33 pieds) Possible: 30 mètres max. (100 pieds) (varie en fonction des conditions d'utilisation)
Codec pris en charge	SBC
Profil Bluetooth compatible	A2DP/AVRCP
Puissance maximale de la radiofréquence:	BT EDR: 3.91dBm
Plage de fréquences de fonctionnement	2402MHz~2480MHz

Fonction du circuit	
Haut-parleur	2.5 pouces 8 ohm x2 4 pouces 6 ohm x1
Puissance de sortie	10.8V-12Vmax: 2W x2 +10W 14.4V: 3W x2 +15W 18V: 5W x2 + 25W
Borne d'entrée	Diamètre 3,5 mm (AUX IN)
Système d'antenne	FM: antenne intégrée AM: Barre d'antenne
Dimensions (L x P x H)	268 x 164 x 295 mm
Poids	4.9 KG (sans la batterie)

## DEUTSCH (Originalanweisungen)



Nur für EU-Länder.

Entsorgen Sie Elektrowerkzeuge, Batterien und Akkus nicht über den Hausmüll! Gemäß der Europäischen Richtlinie über Elektro- und Elektronik-Altgeräte und über Batterien und Akkumulatoren sowie Altbatterien und Altakkumulatoren und ihrer Umsetzung in nationales Recht müssen verbrauchte Elektrowerkzeuge sowie Altbatterien und Altakkumulatoren getrennt gesammelt und einer umweltgerechten Wiederverwertung zugeführt werden.

### Erläuterung der Gesamtdarstellung (Abb. 1)

1. Integrierte Antenne (MW)
2. Griff/Integrierte Antenne (UKW)
3. Verriegelung Batteriefach
4. Abdeckung Batteriefach (schützt Batteriehalterung)
5. Lautsprecher
6. DC-EINGANG
7. Subwoofer
8. Betrieb/Sleep-Timer
9. Quelle
10. Weckruf mit Radio
11. Weckruf mit Buzzer
12. Speicherplatz 3/Wiedergabe/Pause
13. Speicherplatz 5
14. Speicherplatz 4/Nächster Titel
15. Lautstärke/Tuning-Regler/Auswahltaсте
16. Equalizer
17. AUX-EINGANG
18. USB-Netzanschluss
19. Menü/Info
20. LED-Anzeige für Equalizer-Modus
21. Speicherplatz 2/Vorheriger Titel
22. Speicherplatz 1/Bluetooth-Kopplung
23. LCD-Bildschirm
24. Batteriefach
25. Fach für Reservebatterien

### LCD-BILDSCHIRM

- A. Weckruf mit Radio
- B. Weckruf mit Buzzer
- C. Stereo-Icon
- D. Niedrige Batteriekapazität
- E. Uhrzeit
- F. Frequenz
- G. RDS (Radio Data System)
- H. Sleep-Timer
- I. PM-Anzeige (Uhrzeit nachmittags)

### SYMBOLE

Im Folgenden sind die im Zusammenhang mit diesem Gerät verwendeten Symbole dargestellt. Machen Sie sich vor der Benutzung des Geräts unbedingt mit diesen Symbolen vertraut!



Lesen Sie die Betriebsanleitung.

### WICHTIGE SICHERHEITSHINWEISE

#### **WARNUNG:**

Bei der Verwendung von Elektrogeräten müssen stets grundlegende Sicherheitsmaßnahmen befolgt werden, zu denen auch die im Folgenden genannten gehören, um die Gefahr von Verletzungen, Stromschlägen und Bränden zu verringern.

1. Lesen Sie vor der Verwendung des Geräts die vorliegende Betriebsanleitung sowie die Betriebsanleitung zum Ladegerät aufmerksam durch.
2. Reinigen Sie dieses Gerät lediglich mit einem trockenen Tuch.
3. Stellen Sie dieses Gerät nicht in der Nähe von Wärmequellen wie etwa Radiatoren, Heizregistern, Öfen oder anderen wärmeerzeugenden Apparaturen (einschließlich Verstärker) auf.
4. Verwenden Sie ausschließlich vom Hersteller vorgegebene Anbaugeräte bzw. Zubehörteile.
5. Ziehen Sie bei einem Gewitter, oder wenn Sie das Gerät für längere Zeit nicht verwenden, den Netzstecker dieses Geräts.
6. Ein akkubetriebenes Radio mit eingebauten Akkus oder einem herausnehmbaren Akkupack darf nur mit dem angegebenen Ladegerät geladen werden. Ein für einen bestimmten Akkutyp vorgesehenes Ladegerät kann Feuer verursachen, wenn es für andere Akkus verwendet wird.
7. Ein akkubetriebenes Radio darf nur mit den dafür speziell vorgesehenen Akkupacks verwendet werden. Bei Verwendung anderer Akku besteht Brandgefahr.
8. Wenn sich der Akkupack nicht im Werkzeug befindet, dann halten Sie ihn fern von metallenen Objekten, wie etwa: Büroklammern, Münzen, Schlüssel, Nägel, Schrauben oder anderen kleinen Metallgegenständen, die eine Verbindung zwischen den Akkuanschlüssen herstellen können. Ein Kurzschluss der Akkukontakte kann Funken oder Verbrennungen verursachen und stellt eine Brandgefahr dar.

9. Vermeiden Sie Körperkontakt mit geerdeten Flächen wie Rohren, Radiatoren, Herdplatten und Heiz- und Kühlelementen. Wenn Ihr Körper geerdet ist, besteht bei einem elektrischen Schlag eine erhöhte Gefahr.
10. Bei unsachgemäßem Gebrauch kann Flüssigkeit aus dem Akku austreten; vermeiden Sie in diesem Fall jeglichen Kontakt mit der Flüssigkeit. Wenn Sie versehentlich mit Flüssigkeit aus dem Akku in Berührung geraten, waschen Sie die betroffene Stelle gründlich mit Wasser ab. Wenn die Flüssigkeit in die Augen geraten ist, suchen Sie anschließend umgehend einen Arzt auf. Die aus dem Akku austretende Flüssigkeit kann Hautreizungen und Verbrennungen verursachen.
11. Enden Sie Akkus oder Werkzeuge nicht, falls diese beschädigt sind. Mit beschädigten oder modifizierten Batterien können unvorhergesehene Situationen auftreten, die wiederum Explosionen oder Verletzungen verursachen könnten.
12. Schützen Sie Akkus und Instrumente vor Feuer bzw. übermäßigen Temperaturen. Temperaturen über 130°C (266°F) können Explosionen verursachen.
13. Befolgen Sie alle Anleitungen zum Aufladen; laden Sie den Akku oder das Instrument nicht außerhalb des vorgegebenen Temperaturbereichs auf. Falls Sie den Akku unsachgemäß oder außerhalb der richtigen Temperatur aufladen, besteht erhöhte Brandgefahr.
14. Der NETZSTECKER ist die Trennvorrichtung und muss immer zugänglich sein.
15. Verwenden Sie das Produkt nicht über längere Zeiträume mit hoher Lautstärke. Wählen Sie eine moderate Lautstärkeeinstellung, um Gehörschäden zu vermeiden.
16. (Nur für Produkte mit LCD) LCD-Bildschirme enthalten Flüssigkeit, die Hautreizungen und Vergiftung verursachen kann. Falls die Flüssigkeit in Augen, Mund oder auf die Haut gelangt, spülen Sie die betroffenen Stellen mit Wasser ab und wenden Sie sich an einen Arzt.
17. Schützen Sie das Produkt vor Regen oder Feuchtigkeit. Eindringendes Wasser kann die Gefahr von Stromschlägen erhöhen.
18. Dieses Produkt ist nicht geeignet für Personen (einschließlich Kinder) mit eingeschränkten körperlichen, sensorischen oder geistigen Fähigkeiten, oder ohne Erfahrung und Wissen, es sei denn sie werden von einer für ihre Sicherheit zuständigen Person beaufsichtigt oder angeleitet. Kinder müssen beaufsichtigt werden, damit sie nicht mit dem Produkt spielen. Bewahren Sie das Produkt außer Reichweite von Kindern auf.

## **DIESE BEDIENUNGSANLEITUNG AUFBEWAHREN**

## **BESONDERE SICHERHEITSHINWEISE FÜR BATTERIEHALTERUNG**

1. Lesen Sie vor der Verwendung des Akkublocks alle Anweisungen und Sicherheitshinweise für das Akkuladegerät (1), den Akku (2) und das Produkt (3), für das der Akku verwendet wird, sorgfältig durch.
2. Der Akkublock darf nicht zerlegt werden.
3. Falls die Betriebsdauer erheblich kürzer wird, beenden Sie den Betrieb umgehend. Andernfalls besteht die Gefahr einer Überhitzung sowie das Risiko möglicher Verbrennungen und sogar einer Explosion.
4. Wenn Elektrolyt in Ihre Augen gerät, waschen Sie diese mit klarem Wasser aus und suchen Sie sofort einen Arzt auf. Andernfalls können Sie Ihre Sehfähigkeit verlieren.
5. Vermeiden Sie einen Kurzschluss des Akkublocks:
  - 1) Die Kontakte dürfen nicht mit leitendem Material in Berührung kommen.
  - 2) Der Akkublock darf nicht in einem Behälter aufbewahrt werden, in dem sich andere metallische Gegenstände wie beispielsweise Nägel, Münzen usw. befinden.
  - 3) Der Akkublock darf weder Feuchtigkeit noch Regen ausgesetzt werden. Ein Kurzschluss des Akkus kann zu hohem Kriechstrom, Überhitzung, möglichen Verbrennungen und sogar zu einer Zerstörung des Werkzeugs führen.
6. Werkzeug und Akkublock dürfen nicht an Orten aufbewahrt werden, an denen Temperaturen von 50°C oder darüber erreicht werden können.
7. Beschädigte oder verbrauchte Akkus dürfen nicht verbrannt werden. Der Akkublock kann in den Flammen explodieren.
8. Lassen Sie den Akku nicht fallen und vermeiden Sie Schläge gegen den Akku.
9. Verwenden Sie niemals einen beschädigten Akku.
10. Lesen Sie die Anleitung zum Austauschen des Akkus sorgfältig durch, um Gefahren zu vermeiden. Und der max. Entladestrom des Akkus muss größer oder gleich 8 A sein.
11. enthaltene Lithium-Ion-Batterien unterliegen den Vorschriften des Gefahrgutrechts. Während des Transports, z.B. durch Dritte oder Spediteure, sind spezielle Anforderungen auf der Verpackung und den Etiketten zu beachten.  
Vor dem Versand des Produkts muss ein Experte für Gefahrstoffe konsultiert werden. Beachten Sie außerdem national geltende Vorschriften.  
Kleben Sie freiliegende Kontakte ab und verpacken Sie die Batterie so, dass sie nicht in der Verpackung herumrutscht.

12. hten Sie alle örtlich geltenden Vorschriften bzgl. der Entsorgung von Batterien.
13. Verwenden Sie die Batterien nur mit den von Makita vorgegebenen Produkten. Falls Sie die Batterien in nicht kompatiblen Produkten installieren, können Feuer, Überhitzung und Explosion verursacht werden oder Batterieflüssigkeit austreten.

**⚠ ACHTUNG:**

- **Bei unsachgemäßer Verwendung von Ersatzakkus besteht Explosionsgefahr.**
- **Als Ersatzteile dürfen nur Akkus des gleichen Typs verwendet werden.**
- **Verwenden Sie nur echte Makita Batterien. Unechte Makita Batterien oder modifizierte Batterien können zum Zerplatzen der Batterie führen und dadurch Feuer, Verletzungen und Schäden verursachen. In solch einem Fall wird außerdem die Makita Garantie für Makita Instrumente und Ladegeräte nichtig.**

### **Tipps für eine maximale Nutzungsdauer der Batterie**

1. Laden Sie die Batterie auf, bevor diese vollständig entladen ist. Beenden Sie den Betrieb und laden Sie die Batterie auf, wenn die Leistung des Geräts nachlässt.
2. Laden Sie eine vollständig geladene Batterie nicht weiter auf. Überladung verkürzt die Lebensdauer.
3. Laden Sie die Batterie bei einer Umgebungstemperatur von 10°C - 40°C (50°F - 104°F) auf. Lassen Sie ein heißes Batteriegehäuse vor dem Aufladen abkühlen.
4. Laden Sie die Batterie, falls Sie das Gerät längere Zeit (länger als 6 Monate) nicht verwenden werden.

# BETRIEBSDAUER

\* In der nachfolgenden Tabelle sind die für das Gerät geeigneten Batterien aufgelistet.

\* Die nachfolgende Tabelle ist eine Übersicht mit der jeweiligen Betriebsdauer pro Batterieladung.

Akkuladung	Nennspannung des Akkublocks			BEI LAUTSPRECHERAUSGABE = 100mW Einheit: Stunden (Ca.)	
	10.8V – 12Vmax	14.4V	18V	Im Radiobetrieb oder über AUX- Buchse	Während Bluetooth +USB- Aufladung
1.3 Ah		BL1415		3.5	0.7
			BL1815	4.0	1.0
1.5 Ah	BL1015 BL1016			6.0	0.8
		BL1415N BL1415NA		4.5	0.9
			BL1815N	5.0	1.2
2.0 Ah	BL1020B BL1021B			8.0	1.0
			BL1820 BL1820B	6.5	1.6
3.0 Ah		BL1430 BL1430B BL1430A		8.0	1.6
			BL1830 BL1830B	9.5	2.3
4.0 Ah	BL1040B BL1041B			16	2.1
		BL1440		13	2.5
			BL1840 BL1840B	13	3.2
5.0 Ah		BL1450		15	3.0
			BL1850 BL1850B	17	4.2
6.0 Ah		BL1460B BL1460A		17	3.3
			BL1860B	21	5.0

## **WARNUNG:**

**Verwenden Sie nur die oben aufgeführten Batteriekarten. Die Verwendung anderer Batteriekarten kann Verletzungen und/oder Feuer verursachen.**

### **Hinweis:**

- Die Nutzungsdauern in der obigen Tabelle sind nur Richtwerte.
- Die tatsächliche Nutzungsdauer kann je nach Batterie-Typ, Ladebedingungen bzw. Gebrauchsumgebung variieren.

# INSTALLATION UND STROMVERSORGUNG

## ⚠ VORSICHT:

- Achten Sie beim Öffnen und Schließen der Batteriefachabdeckung darauf, Ihre Finger nicht einzuklemmen.
- Bringen Sie die Verriegelung des Batteriefachs nach der Installation oder Entnahme der Batteriehalterung wieder zur Ausgangsposition zurück. Anderenfalls könnte die Batteriehalterung versehentlich aus dem Radio herausfallen und dadurch Verletzungen verursachen.
- Schließen und sichern Sie die Verriegelung des Batteriefachs, bevor Sie das Radio umstellen.
- Schalten Sie das Radio immer aus, bevor Sie die Batteriehalterung installieren oder entfernen.
- Lassen Sie das Radio nicht herunterfallen und schützen Sie es vor Aufprällen. Ein kaputtes Gehäuse könnte Verletzungen an Fingern und Körper verursachen. Ein beschädigtes Radio kann unvorhersehbar reagieren und als Folge Feuer, Explosionen oder Verletzungen verursachen.

## WICHTIG:

- Anzeichen dafür, dass die Hauptbatterie ersetzt werden muss, sind eine nachlassende Leistung, ein verzerrter oder „klappernder“ Sound, oder wenn beide Anzeigen für die niedrige Batteriekapazität aufleuchten und die Anzeige „POWERFAIL“ erscheint.
- Wenn die Anzeige für die niedrige Batteriekapazität aufleuchtet und im Display die Anzeige „EMPTY“ blinkt, müssen die Reservebatterien ersetzt werden.
- Die Batteriehalterung kann nicht über den mitgelieferten AC-Netzadapter aufgeladen werden.
- Die Batteriehalterung ist kein Standardzubehör des Produkts.

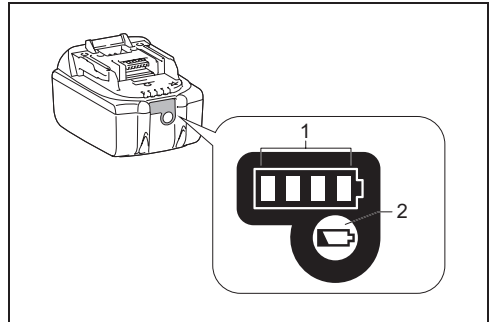
## Einschubakku einsetzen bzw. entfernen (Abb. 4 & 5)

- Zum Einsetzen des Akkublocks müssen Sie die Akkublockzunge zur inneren Gehäusenut ausrichten und den Akkublock in Position schieben. Setzen Sie den Akkublock unbedingt vollständig ein, bis er mit einem Klick einrastet.
- Ist weiterhin der oben auf der Taste befindliche rote Bereich sichtbar, dann ist der Akkublock nicht ganz eingerastet. Setzen Sie den Akkublock vollständig ein, bis der rote Bereich nicht mehr sichtbar ist. Andernfalls kann der Block versehentlich aus dem Gerät fallen und Sie oder Personen in Ihrem Umfeld verletzen.
- Wenden Sie keine Gewalt beim Einsetzen des Akkublocks an. Wenn der Akkublock nicht leicht hineingleitet, dann haben Sie ihn nicht richtig ausgerichtet.

- Um die Batterie zu entfernen, schieben Sie diese aus dem Radio heraus, während Sie die Taste an der Vorderseite der Halterung verschieben.

## Anzeigen der Restladung des Akkus

\* Nur für Akkublöcke mit einem „B“ am Ende der Modellnummer.















### ➤ 1. Anzeigelampen 2. Test-Taste

Drücken Sie zum Anzeigen der Restladung des Akkus die Akkuprüftaste. Die Anzeigelampen leuchten dann wenige Sekunden lang auf.

### • 14,4V/18V Batterien

Anzeigelampen			Verbleibende Kapazität
Leuchtet	Aus	Blinkt	
■ ■ ■ ■			75% ~ 100%
■ ■ ■ □			50% ~ 75%
■ ■ □ □			25% ~ 50%
■ □ □ □			0% ~ 25%
▣ □ □ □			Batterie aufladen
■ ■ □ □	↑ ↓	■ ■	Mögliche Fehlfunktion der Batterie

## ● Max. 10,8V-12V Batterien

Anzeigelampen			Verbleibende Kapazität
Leuchtet	Aus	Blinkt	
			75% ~ 100%
			50% ~ 75%
			25% ~ 50%
			0% ~ 25%

### HINWEIS:

Je nach Gebrauchsbedingungen und Umgebungstemperatur können die Anzeigen leicht von der tatsächlichen Kapazität abweichen.

## Reservebatterien installieren (Abb. 2 & 3)

Die installierten Reservebatterien sorgen dafür, dass die auf den Speicherplätzen hinterlegten Informationen nicht verlorengehen.

1. Ziehen Sie die Verriegelung des Batteriefachs heraus, um das Batteriefach freizulegen. Das Gerät verfügt über ein Hauptbatteriefach und ein Reservebatteriefach.
2. Entfernen Sie die Abdeckung vom Reservebatteriefach und legen Sie 2 neue AA-Batterien (UM-3) ein. Beachten Sie dabei die Polaritätsmarkierungen im Inneren des Batteriefachs. Schließen Sie dann wieder die Abdeckung.
3. Installieren Sie nach dem Einlegen der Reservebatterien die Hauptbatterie für die Versorgung des Radios.

## Betrieb mit mitgeliefertem Netzadapter

Entfernen Sie die Gummiabdeckung und schließen Sie den Adapterstecker an die DC-Buchse rechts am Radio an. Schließen Sie den Netzadapter an eine herkömmliche Steckdose an. Während des Gebrauchs des Netzadapters wird die Batterie automatisch getrennt.

### ⚠ VORSICHT:

- **Trennen Sie den AC-Netzadapter immer vollständig, bevor Sie das Radio umstellen. Anderenfalls besteht Stromschlaggefahr.**
- **Ziehen Sie niemals am Kabel des Netzadapters. Anderenfalls könnte das Radio herunterfallen und dadurch Verletzungen verursachen.**

### WICHTIG:

- Der Netzadapter ist die Trennvorrichtung des Radios vom Netzstrom. Die verwendete Steckdose muss während des normalen Gebrauchs immer frei zugänglich sein.
- Ziehen Sie den Netzadapter vollständig aus der

Steckdose heraus, um das Radio vom Netzstrom zu trennen.

- Verwenden Sie nur das im Lieferumfang enthaltene bzw. ein von Makita empfohlenes AC-Netzteil.
- Halten Sie weder das Netzkabel noch den Netzstecker an Ihren Mund. Es besteht Stromschlaggefahr.
- Berühren Sie den Netzstecker nicht mit nassen oder fettigen Händen.
- Beschädigte oder verhedderte Kabel erhöhen die Stromschlaggefahr. Falls das Kabel beschädigt ist, lassen sie es von einem autorisierten Kundendienst ersetzen, um Gefahrensituationen zu vermeiden. Benutzen Sie es erst wieder nach der Reparatur.
- Bewahren Sie das AC-Netzteil nach dem Gebrauch außer Reichweite von Kindern auf. Kinder können sich verletzen, falls sie mit dem Kabel spielen.

### Hinweis:

Falls das Netzteil im MW-Modus Störungen des Radiobetriebs verursacht, stellen Sie das Radio mehr als 30 cm vom Netzteil entfernt auf.

## Ladevorgang über USB-Stromversorgungsanschluss

Der USB-Port befindet sich an der Vorderseite des Radios. Sie können ein USB-Gerät über den USB-Port aufladen.

1. Schließen Sie das USB-Gerät, z. B. einen MP3- oder CD-Spieler, über ein handelsübliches USB-Kabel an.
2. Schalten Sie das Radio mit der Betriebsstaste ein.
3. Das Radio ist sowohl im Netzbetrieb, als auch im Batteriebetrieb in der Lage, das USB-Gerät aufzuladen, sofern das Radio eingeschaltet ist und sich im FM-Modus, BT-Modus oder bei angeschlossener externer Audio-Quelle im AUX-Modus befindet.

### Hinweis:

- Es ist nicht möglich, im MW-Modus externe USB-Geräte aufzuladen, da der Radioempfang im USB-Lademodus sehr schlecht ist.
- Beim aktiven USB-Ladevorgang steht nur eine eingeschränkte Lautsprecherleistung zur Verfügung.
- Der USB-Port kann max. 5V/2.4A zur Verfügung stellen.

### Wichtig:

- Vor dem Anschluss Ihres USB-Geräts an den USB-Port müssen Sie immer ein Daten-Backup Ihres USB-Geräts ausführen! Ihre Daten könnten sonst möglicherweise durch unvorhersehbare Umstände verloren gehen.
- Das Radio kann möglicherweise einige USB-Geräte nicht mit Elektrizität versorgen.
- Schließen Sie die USB-Abdeckung und ziehen Sie das USB-Kabel ab, wenn Sie den USB-Port nicht benutzen.
- Schließen Sie am USB-Port keine Versorgungsspannung an! Es besteht ansonsten Brandgefahr! Der USB-Port ist ausschließlich zum



Laden von Niederspannungsgeräten geeignet. Schließen Sie immer die Abdeckung des USB-Ports, wenn Sie kein Niederspannungsgerät laden.

- Niemals Fremdkörper (Nägel, Draht etc.) in den USB-Stromversorgungsanschluss einführen! Es könnte ein Kurzschluss entstehen und einen Brand mit Rauchentwicklung verursachen.
- Schließen Sie niemals den USB-Port des Radios am USB-Port eines PCs an, weil dadurch beide Geräte beschädigt werden können!

## RADIO HÖREN

### Suche nach MW-/UKW-Radiosendern

#### Hinweis:

Die UKW-Antenne ist im Griff integriert. Ziehen Sie den Griff während des Radiobetriebs entsprechend nach oben aus, um einen besseren Empfang zu gewährleisten. Im MW-Modus drehen Sie das Radio für einen optimalen Empfang, da sich die MW-Antenne im Inneren des Geräts befindet.

1. Schalten Sie das Radio mit der Betriebstaste ein.
2. Drücken Sie die Quelle-Taste zur Auswahl des MW- oder UKW-Modus.
3. Halten Sie den Tuning-Regler gedrückt, um die automatische Sendersuche durchzuführen. Das Radio sucht das MW-/UKW-Frequenzband von der aktuell angezeigten Frequenz beginnend ab und beendet die Suche automatisch, sobald es einen Sender mit ausreichender Signalstärke gefunden hat.
4. Einige Sekunden später wird das Display aktualisiert. Das Display zeigt die Frequenz des gefundenen Signals an.
5. Halten Sie den Tuning-Regler erneut gedrückt, um weitere Sender zu suchen.
6. Am Ende des Frequenzbands setzt das Radio die Sendersuche in entgegengesetzter Richtung des Frequenzbands fort.
7. Drehen Sie den Tuning-Regler für die Einstellung der Lautstärke.

#### Hinweis:

- Achten Sie bei der Einstellung der Lautstärke darauf, dass die Anzeige AM/FM nicht im Display blinkt.
  - Falls die Anzeige AM/FM blinkt, können Sie Sender nur manuell einstellen (siehe Abschnitt „Manuelle Sendersuche – MW/UKW“).
  - Stellen Sie die Lautstärke nicht zu laut ein. Meiden Sie hohe Lautstärken über längere Zeiträume, da anderenfalls die Gefahr von Gehörschäden besteht.
8. Drücken Sie die Betriebstaste zum Ausschalten des Radios.

### Manuelle Sendersuche – MW/UKW

1. Schalten Sie das Radio mit der Betriebstaste ein.

2. Drücken Sie die Quelle-Taste zur Auswahl des MW- oder UKW-Radiomodus.
3. Drücken Sie dann auf den Tuning-Regler; im Display blinkt die Anzeige AM bzw. FM.

#### Hinweis:

- AM bzw. FM blinkt ungefähr 10 Sekunden. Innerhalb dieser Zeit ist nur die manuelle Sendersuche möglich.
  - Falls Sie während der blinkenden Anzeige von AM bzw. FM die Lautstärke einstellen möchten, drücken Sie auf den Tuning-Regler; die Anzeige hört auf zu blinken. Drehen Sie dann den Tuning-Regler zur Einstellung der Lautstärke.
4. Drehen Sie den Tuning-Regler zum Einschalten eines Radiosenders.
  5. Am Ende des Frequenzbands setzt das Radio die Sendersuche in entgegengesetzter Richtung des Frequenzbands fort.
  6. Drehen Sie den Tuning-Regler, um die Lautstärke entsprechend einzustellen.

### Radiosender im MW-/UKW-Modus speichern

Das Gerät verfügt über 5 Speicherplätze für MW- und UKW-Sender. Die Speicherung von Radiosendern erfolgt für beide Frequenzbänder auf die gleiche Art und Weise.

1. Schalten Sie das Radio mit der Betriebstaste ein.
2. Drücken Sie die Quelle-Taste zur Auswahl des gewünschten Frequenzbands und schalten Sie dann wie weiter vorn beschrieben einen Radiosender ein.
3. Halten Sie die gewünschte Speichertaste (1 bis 5) gedrückt, bis im Display hinter der Frequenz zum Beispiel die Anzeige „P4“ erscheint. Der Sender wird auf diesem Speicherplatz gespeichert. Wiederholen Sie diese Vorgehensweise, um weitere Sender zu speichern.
4. Bereits gespeicherte Sender können anhand der oben genannten Vorgehensweise überschrieben werden.

### Anzeigemodi – UKW

Ihr Radio verfügt im UKW-Radiomodus über unterschiedliche Anzeigooptionen.

Drücken Sie wiederholt die Taste Menü/Info, um die RDS-Daten des aktuell eingeschalteten Senders anzuzeigen.

- a. Sendername Name des aktuell wiedergegebenen Radiosenders.
- b. Programmtyp Art des Radiosenders, z.B. Pop, Klassische Musik, Nachrichten, usw.
- c. Radiotext Textmitteilung, z.B. Nachrichten.
- d. Jahr/Tag Jahr und Tag der aktuellen Woche (basierend auf den Datumseinstellungen des Radios).

- e. Datum/Tag Datum und Tag der aktuellen Woche (basierend auf den Datumseinstellungen des Radios).
- f. EQ-Modus EQ-Modus des aktuellen UKW-Senders.
- g. Frequenz Frequenz des aktuellen UKW-Senders.

### UKW Stereo (automatisch)/Mono

Bei sehr schwachem Signal eines aktuell wiedergegebenen UKW-Senders ist möglicherweise ein Rauschen zu hören. Dieses Rauschen kann unterdrückt werden, indem der Sender in Mono und nicht in Stereo wiedergegeben wird.

1. Drücken Sie Quelle-Taste zur Auswahl des UKW-Bands und schalten Sie dann wie bereits weiter vorn beschrieben einen UKW-Radiosender ein.
2. Halten Sie die Taste Menü/Info gedrückt, um die Menüeinstellungen aufzurufen.
3. Drehen Sie den Tuning-Regler, bis im Display die Anzeige „FM AUTO“ (bzw. „FM MONO“ erscheint. Falls die automatische Einstellung aktiviert ist, drücken Sie auf den Tuning-Regler und drehen Sie ihn anschließend, um Mono einzuschalten und so das Rauschen zu unterdrücken. Drücken Sie erneut auf den Tuning-Regler, um Ihre Auswahl zu bestätigen.

### Gespeicherte Radiosender im MW-/UKW-Modus aufrufen

1. Schalten Sie das Radio mit der Betriebstaste ein.
2. Drücken Sie die Quelle-Taste zur Auswahl des MW- oder UKW-Radiomodus.
3. Drücken Sie kurz eine Speichertaste, um den darauf gespeicherten Radiosender einzuschalten.

## MISCELLANEOUS SETTINGS

### Uhrzeit- und Datumsformat einstellen

Für die im Standby-Modus und im Wiedergabemodus angezeigte Uhrzeit können unterschiedliche Formate eingestellt werden. Das eingestellte Format wird dann auch bei der Einstellung der Weckrufe verwendet.

1. Halten Sie die Taste Menü/Info gedrückt, um die Menüeinstellungen zu öffnen.
2. Drehen Sie den Tuning-Regler, bis im Display die Anzeige „CLOCK xxH“ erscheint; drücken Sie auf den Tuning-Regler zum Bestätigen. Das Uhrzeitformat beginnt zu blinken.
3. Drehen Sie den Tuning-Regler zur Auswahl des 12- oder 24-Stundenformats und drücken Sie zum Bestätigen Ihrer Auswahl erneut auf den Tuning-Regler.

#### Hinweis:

Falls Sie das 12-Stundenformat auswählen, wird die Uhrzeit im 12-Stundenformat angezeigt.

4. Halten Sie die Taste Menü/Info gedrückt, um die Menüeinstellungen zu öffnen.
5. Drehen Sie den Tuning-Regler, bis im Display ein Datum (z.B. THU APR 3) angezeigt wird; drücken Sie auf den Tuning-Regler zum Bestätigen. Das Datumsformat beginnt zu blinken.
6. Drehen Sie den Tuning-Regler zur Auswahl des gewünschten Datumsformats und drücken Sie zum Bestätigen Ihrer Auswahl erneut auf den Tuning-Regler.

### Uhrzeit und Datum einstellen

1. Halten Sie die Taste Menü/Info gedrückt.
2. Drehen Sie den Tuning-Regler, bis im Display die Anzeige „CLOCK ADJ“ erscheint und drücken Sie zum Bestätigen auf den Tuning-Regler.
3. Die Stundenanzeige beginnt zu blinken. Drehen Sie den Tuning-Regler zur Auswahl der gewünschten Stundeneinstellung und bestätigen Sie durch Drücken des Tuning-Reglers. Drehen Sie dann den Tuning-Regler zur Einstellung der Minuten und drücken Sie den Regler erneut, um die Einstellung zu bestätigen.
4. Drehen Sie den Tuning-Regler, bis im Display die Anzeige „DATE ADJ“ erscheint und drücken Sie zum Bestätigen auf den Tuning-Regler.
5. Drehen Sie den Tuning-Regler zur Auswahl des Jahres und bestätigen Sie durch Drücken des Reglers. Drehen Sie ihn erneut zur Auswahl des Monats und drücken Sie ihn dann zum Bestätigen. Drehen Sie den Regler dann zur Auswahl des Tages und bestätigen Sie die Einstellung durch Drücken des Reglers.

### Radio Data System (RDS)

Wenn Sie die Uhrzeit mit der RDS-Funktion einstellen, synchronisiert Ihr Radio die Uhrzeit immer dann, wenn Sie einen Sender einstellen, der RDS mit CT-Signalen verwendet.

1. Wenn Sie einen Sender mit RDS-Daten einschalten, erscheint im Display das RDS-Icon. Halten Sie die Taste Menü/Info gedrückt.
2. Drehen Sie den Tuning-Regler, bis die Anzeige „RDS CT“ und ein Uhrzeit-Symbol erscheinen. Drücken Sie zum Bestätigen auf den Tuning-Regler.
3. Drehen Sie den Tuning-Regler, bis im Display die Anzeige „RDS CT“ erscheint und bestätigen Sie durch Drücken des Reglers. Die Uhrzeit des Radios wird dann automatisch anhand der empfangenen RDS-Daten eingestellt.

#### Hinweis:

- Die Uhrzeit bleibt jedes Mal 5 Tage gültig, nachdem sie via RDS CT synchronisiert wurde.
- Um die RDS CT-Funktion zu deaktivieren, wiederholen Sie die Schritte 1 bis 2 und drehen Sie dann den Tuning-Regler zur Auswahl der Option „MANUAL“; drücken Sie zum Bestätigen auf den Regler.

## Weckruf einstellen

Ihr Radio unterstützt zwei Weckrufe, die beide jeweils mit MW-/UKW-Radio oder Buzzer als Weckrufmodus eingestellt werden können. Die Weckrufe können im Standby- oder im Wiedergabemodus eingestellt werden.

### Hinweis:

Vergewissern Sie sich vor der Einstellung der Weckrufe, dass die Uhrzeit richtig eingestellt ist. Falls Sie 10 Sekunden lang keine Taste drücken, bricht das Radio die Weckrufeinstellungen ab.

#### a. Weckruf mit Radio:

1. Nehmen Sie die Einstellungen vor, wenn das Radio ein- oder ausgeschaltet ist.
2. Halten Sie die Radio-Weckruf Taste gedrückt; im Display erscheint das Radio-Weckruficon, die Stundenanzeige blinkt, und es ertönt ein Piepton.
3. Während das Radio-Weckruficon blinkt, drehen Sie den Tuning-Regler zur Auswahl der Stundeneinstellung und drücken Sie zum Bestätigen auf den Regler. Drehen Sie dann den Tuning-Regler zum Einstellen der Minuten; bestätigen Sie durch Drücken des Tuning-Reglers.
4. Drehen Sie den Tuning-Regler, bis im Display die Häufigkeitseinstellungen für den Weckruf angezeigt werden.

Folgende Weckruffoptionen sind verfügbar:

ONCE – der Weckruf ertönt einmal

DAILY – der Weckruf ertönt jeden Tag

WEEKDAY – der Weckruf ertönt nur unter der Woche

WEEKEND – der Weckruf ertönt nur am Wochenende

Drücken Sie auf den Tuning-Regler, um die jeweilige Einstellung zu bestätigen.

5. Während das Radio-Weckruficon blinkt, drehen Sie den Tuning-Regler zur Auswahl der Frequenz und des Senders. Drücken Sie zum Bestätigen auf den Tuning-Regler.
6. Drehen Sie den Tuning-Regler zur Auswahl der gewünschten Lautstärke und bestätigen Sie durch Drücken des Reglers. Die Weckrufeinstellungen sind nun abgeschlossen.

### Hinweis:

- Falls Sie keinen neuen Sender einstellen, wird der zuletzt eingestellte Radiosender verwendet.
- Falls der eingestellte MW-/UKW-Sender bei Auslösung des Weckrufs nicht verfügbar ist, aktiviert das Gerät den Buzzer.

#### b. HWS-Buzzer (Humane Wake System) einstellen:

Falls Sie den Buzzer als Weckruf auswählen, ertönt ein Piepton.

Für eine Minute ertönt alle 15 Sekunden ein immer kürzerer Piepton. Im Anschluss daran ertönt eine Minute lang kein Ton und dann wird der gleiche Zyklus wiederholt.

1. Der Buzzer-Weckruf kann sowohl bei ein- als auch bei ausgeschaltetem Radio eingestellt werden.

2. Halten Sie die Buzzer-Weckruf Taste gedrückt; das Icon und die Stundenanzeige blinken im Display und es ertönt ein Piepton.
3. Während das Buzzer-Weckruficon blinkt, drehen Sie den Tuning-Regler zur Auswahl der gewünschten Stundeneinstellung und drücken Sie den Regler zum Bestätigen. Drehen Sie den Regler erneut, um die Minuten einzustellen; bestätigen Sie durch Drücken des Tuning-Reglers.

4. Drehen Sie den Tuning-Regler, bis im Display die Häufigkeitseinstellungen für den Weckruf angezeigt werden.

Folgende Weckruffoptionen sind verfügbar:

ONCE – der Weckruf ertönt einmal

DAILY – der Weckruf ertönt jeden Tag

WEEKDAY – der Weckruf ertönt nur unter der Woche

WEEKEND – der Weckruf ertönt nur am Wochenende

Drücken Sie auf den Tuning-Regler, um die jeweilige Einstellung zu bestätigen.

### Hinweis:

Die Lautstärke des Buzzer-Weckrufs kann nicht eingestellt werden.

## Weckruf beenden

Drücken Sie die Betriebstaste, um einen ausgelösten Weckruf zu beenden.

## Weckrufeinstellung deaktivieren

Um die Weckrufeinstellungen vor Auslösung des Weckrufs zu deaktivieren, halten Sie die entsprechende Weckruf Taste gedrückt, bis das dazugehörige Weckruficon aus dem Display verschwindet.

## Schlummerfunktion

1. Wenn der Weckruf ertönt, drücken Sie eine beliebige Taste (außer der Betriebstaste), um den Weckruf für 5 Minuten auszuschalten. Im Display erscheint die Anzeige „SNOOZE“.
2. Sie können die Dauer dieser Schlummerzeit einstellen. Halten Sie dafür die Taste Menü/Info gedrückt, um die Menüeinstellungen aufzurufen.
3. Drehen Sie den Tuning-Regler, bis im Display die Anzeige „SNOOZE X“ erscheint und bestätigen Sie durch Drücken des Tuning-Reglers. Drehen Sie den Regler nun zur Einstellung der Schlummerdauer: 5, 10, 15 oder 20 Minuten.
4. Drücken Sie während der Schlummerzeit die Betriebstaste, um die Schlummerfunktion zu beenden.

## Sleep-Timer

Sie können das Radio so programmieren, dass es sich nach Ablauf einer voreingestellten Zeit automatisch ausschaltet. Verfügbare Einstellungen: 60, 45, 30, 15, 120 und 90 Minuten.

1. Halten Sie die Betriebstaste gedrückt, um die Sleep-Timer-Einstellungen aufzurufen. Im Display erscheint die Anzeige „SLEEP XX“.
2. Halten Sie die Betriebstaste gedrückt, um durch die unterschiedlichen Timer-Einstellungen zu scrollen. Lassen Sie die Taste los, wenn die gewünschte Minuteneinstellung angezeigt wird. Das Gerät speichert die Einstellung und das LCD kehrt zur normalen Anzeige zurück.
3. Nach Ablauf des eingestellten Sleep-Timers wird sich das Radio automatisch ausschalten. Das Sleep-Timer-Icon erscheint im Display und weist somit auf den aktivierten Sleep-Timer hin.
4. Um den Sleep-Timer noch vor Ablauf der Zeit zu deaktivieren, schalten Sie das Radio ganz einfach manuell durch Drücken der Betriebstaste aus.

## Lautheit

Sie können höhere oder tiefere Frequenzen des Radios durch Einstellung der Lautheit-Funktion entsprechend kompensieren.

1. Halten Sie die Taste Menü/Info gedrückt, um die Menüeinstellungen aufzurufen.
2. Drehen Sie den Tuning-Regler, bis im Display die Anzeige „LOUD ON“ bzw. „LOUD OFF“ erscheint. Bestätigen Sie die Einstellung durch Drücken des Tuning-Reglers.
3. Drehen Sie den Tuning-Regler zur Auswahl von ON (Lautheit-Funktion aktivieren) und drücken Sie zum Bestätigen auf den Regler.
4. Um die Lautheit-Funktion auszuschalten, wählen Sie OFF und drücken Sie zum Bestätigen auf den Tuning-Regler.

## Equalizer-Funktion

Um den Tuning-Regler herum befinden sich 7 LED-Anzeigen, die jeweils auf unterschiedliche EQ-Modi hinweisen.

1. Schalten Sie das Radio mit der Betriebstaste ein.
2. Drücken Sie auf die EQ-Taste, um das EQ-Einstellungsmenü zu öffnen.
3. Drehen Sie den Tuning-Regler zur Auswahl des gewünschten Modus und drücken Sie zum Bestätigen auf den Tuning-Regler.

EQ-Modus	LED-Anzeige
FLAT	Weiß
JAZZ	Blau
ROCK	Rot
KLASSIK	Braun
POP	Pink
NACHRICHTEN	Gelb
BENUTZERDEF.	Grün

## Eigenen EQ-Modus definieren

1. Drücken Sie auf die EQ-Taste, um das EQ-Einstellungsmenü zu öffnen.
2. Drehen Sie den Tuning-Regler zur Auswahl von „MY EQ“. Drücken Sie auf den Tuning-Regler, um die „BASS“-Einstellungen aufzurufen.
3. Drehen Sie den Tuning-Regler zur Auswahl der gewünschten Tiefeinstellung. Drücken Sie auf den Tuning-Regler, um die „MIDDLE“-Einstellungen zu öffnen.
4. Drehen Sie den Tuning-Regler zur Auswahl der gewünschten mittleren Toneinstellung. Drücken Sie auf den Tuning-Regler, um die „TREBLE“-Einstellungen zu öffnen.
5. Drehen Sie den Tuning-Regler zur Auswahl der gewünschten Hochtoneinstellung. Drücken Sie auf den Tuning-Regler, um die Einstellungen zu bestätigen.

### Hinweis:

- Falls Sie den Equalizer zur Hervorhebung des Basses verwenden und dann bei hohen Lautstärken Musik hören, kann der Sound abgebrochen oder verzerrt sein. Stellen Sie in solch einem Fall die Lautstärke entsprechend angemessen ein.

## MUSIKWIEDERGABE VIA BLUETOOTH-ÜBERTRAGUNG

Sie müssen zunächst Ihr Bluetooth-Gerät mit dem radio koppeln, bevor Sie mit diesem radio Musik via Bluetooth abspielen/übertragen können. Durch die Kopplung entsteht eine "Verbindung", damit sich beide Geräte gegenseitig erkennen.

### Hinweis:

- Für eine bessere Sound-Qualität empfehlen wir, die Lautstärke an Ihrem Bluetooth-Gerät mit einer Einstellung von zwei Dritteln und am radio je nach Bedarf einzustellen.
- Der radio kann bis zu 8 gekoppelte Geräte speichern. Bei Überschreitung der Anzahl dieses Speichers wird der älteste Speichereintrag überschrieben.

## Erstmalige Kopplung mit Ihrem Bluetooth-Gerät

1. Schalten Sie das Radio mit der Betriebstaste ein. Drücken Sie die Quelle-Taste zur Auswahl des Bluetooth-Modus. Im Display erscheint „BT PAIR“ und die Anzeige „PAIR“ blinkt.
2. Aktivieren Sie an Ihrem externen Gerät gemäß dessen Bedienungsanleitung die Bluetooth-Funktion, um es mit dem radio zu koppeln. Öffnen Sie die Bluetooth-Gerätesliste und wählen Sie das Gerät „DMR114.“. (Einige Handys mit älteren Versionen als BT2.1 Bluetooth erfordern möglicherweise die Eingabe eines Passworts. Geben Sie in solch einem Fall „0000“ ein).

- Nach der erfolgreichen Verbindung ertönt ein Bestätigungston. „BLUETOOTH“ erscheint weiterhin im Display und nach 10 Sekunden erlischt die Hintergrundbeleuchtung. Wählen Sie an Ihrem externen Gerät Inhalte für die Wiedergabe aus. Die Lautstärke können Sie sowohl am externen Gerät oder direkt am Radio einstellen.
- Verwenden Sie die Tasten an Ihrem Bluetooth-fähigen Gerät oder am radio, um Titel abzuspielen/zu unterbrechen bzw. zu suchen.

#### Hinweis:

- Bei der erstmaligen Kopplung von 2 Bluetooth-Geräten suchen beide Geräte nach dem radio; an beiden Geräten wird dessen Verfügbarkeit angezeigt. Sobald jedoch ein Gerät mit dem radio verbunden ist, erscheint es nicht mehr in der Geräteliste des zweiten Bluetooth-Geräts.
- Falls Ihr Bluetooth-Gerät vorübergehend vom radio getrennt ist, müssen Sie es erneut manuell mit dem radio verbinden.
- Falls „DMR114“ in der Geräteliste Ihres Bluetooth-Geräts erscheint, jedoch nicht verbunden werden kann, löschen Sie es aus der Liste und führen Sie die Kopplung erneut anhand der vorher beschriebenen Vorgehensweise durch.
- Die optimale Bluetooth-Übertragungsbereichweite zum Radio beträgt ungefähr 10 Meter (30 Fuß) (Sichtlinie), wobei jedoch Reichweiten von bis zu 30 Metern (100 Fuß) möglich sein können.
- Falls die Bluetooth-Verbindung aufgrund einer zu lange andauernden Trennung, einer Überschreitung der optimalen Reichweite oder aufgrund von Hindernissen oder ähnlichem getrennt wurde, müssen das Gerät und das Radio möglicherweise erneut verbunden werden.
- Gegenstände, schnurlose Geräte oder elektromagnetische Geräte können die Verbindungsqualität beeinflussen.
- Bluetooth-Verbindungsfähigkeit kann je nach verbundenem Bluetooth-Gerät variieren. Informieren Sie sich über die Bluetooth-Fähigkeit Ihres externen Geräts, bevor Sie Ihr Radio verbinden. Einige gekoppelte Bluetooth-Geräte unterstützen möglicherweise nicht alle Funktionen.

### Wiedergabe von Audiodateien im Bluetooth-Modus

Nachdem Sie Ihren radio erfolgreich mit einem Bluetooth-Gerät verbunden haben, können Sie Musik unter Verwendung der Tasten am verbundenen Bluetooth-Gerät abspielen.

- Nach dem Start der Wiedergabe können Sie die Lautstärke mit den Lautstärketasten an Ihrem radio oder Ihrem aktivierten Bluetooth-Gerät einstellen.
- Verwenden Sie die Tasten an Ihrem Bluetooth-Gerät,

um die Wiedergabe zu starten bzw. zu unterbrechen oder um Titel zu überspringen. Alternativ dazu können Sie diese Funktionen mit den Tasten Wiedergabe/ Pause/Nächster Titel oder Vorheriger Titel am Radio ausführen.

- Halten Sie die Taste Nächster Titel oder Vorheriger Titel gedrückt, um den aktuellen Titel im Schnelllauf zu durchsuchen. Lassen Sie die Taste los, wenn Sie die gewünschte Stelle gefunden haben.

#### Hinweis:

- Einige Player-Anwendungen oder Geräte sind möglicherweise nicht mit allen diesen Tasten kompatibel.
- Bei einigen Handys wird möglicherweise vorübergehend die Verbindung mit dem radio getrennt, während Sie Anrufe tätigen oder entgegennehmen. An einigen Geräten wird die Bluetooth-Übertragung stumm geschaltet, wenn Textnachrichten und E-Mails eingehen oder andere Gründe auftreten, die nicht im Zusammenhang mit der Audioübertragung stehen. Dies liegt am externen Gerät und ist keine Fehlfunktion Ihres radio.

### Wiedergabe eines bereits früher gekoppelten Bluetooth-Geräts

Falls Ihr Bluetooth-Gerät bereits zu einem früheren Zeitpunkt mit dem radio gekoppelt wurde, erkennt der radio das Bluetooth-Gerät und wird immer versuchen, die Verbindung mit dem zuletzt verbundenen Gerät wieder herzustellen. Falls das zuletzt verbundene Gerät nicht verfügbar ist, ist der radio nicht erkennbar.

### Bluetooth-Gerät trennen

Halten Sie die Bluetooth-Kopplungstaste 2-3 Sekunden lang gedrückt, bis im Display die Anzeige „BT PAIR“ erscheint, oder schalten Sie an Ihrem externen Gerät die Bluetooth-Funktion aus, um die Verbindung zu trennen. Sie können auch die Quelle-Taste drücken und einen anderen Modus auswählen, um die Verbindung deaktivieren.

### Gekoppelte Bluetooth-Geräte löschen

Um alle gekoppelten Geräte aus dem Speicher zu löschen, halten Sie die Bluetooth-Kopplungstaste länger als 5 Sekunden gedrückt, bis im Display die Anzeige „CLEARING“ erscheint.

## AUX-EINGANGSBUCHSE

An der Vorderseite des Radios befindet sich ein 3,5 mm Aux-Eingang für den Anschluss und die Wiedergabe eines externen Audiogeräts, wie z.B. MP3- oder CD-Player.

- Schließen Sie ein externes Audiogerät (z.B. MP3- oder CD-Player) an den AUX-Eingang an.
- Schalten Sie das Radio mit der Betriebstaste ein.

3. Drücken Sie wiederholt die Quelle-Taste, bis im Display die Anzeige „AUX IN“ erscheint.
4. Im Hinblick auf eine bessere Soundqualität wird empfohlen, am Audiogerät die Lautstärke mit ungefähr zwei Dritteln und dann entsprechend am Radio einzustellen.

**Hinweis:**

Das Audiokabel ist kein Standardzubehör des Produkts.

## WARTUNG

**⚠️ ACHTUNG:**

- Verwenden Sie zum Reinigen niemals Kraftstoffe, Benzin, Verdüner, Alkohol oder ähnliches. Dies kann zu Verfärbungen, Verformungen oder Rissen führen.
- Reinigen Sie das Radio nicht mit Wasser.

## Technische Daten

Technische Daten	
Netzadapter	Gleichspannung 12V 2.5A; mittlerer Stift Pluspol
Akku	2x UM-3 (AA) als Reserve Einschub-Batterie: 10,8V - 18V
Frequenzbereich	UKW 87,50-108MHz (0,05MHz Intervall) MW 522-1.710kHz (9 kHz Intervall)

Bluetooth®	
(Die Bluetooth®-Wortmarke und die Bluetooth®-Logos sind eingetragene Marken von Bluetooth SIG, Inc.)	
Bluetooth-Version	5.0 Zertifiziert
Bluetooth-Profil	A2DP/SCMS-T/AVRCP
Übertragungsleistung	Leistungsklasse 2
Übertragungsbereich	Optimum: Max. 10 Meter (33 Fuß) Möglich: Max. 30 Meter (100 Fuß) (abhängig von den Gebrauchsbedingungen)
Unterstützter Bluetooth-Codec	SBC
Kompatibles Bluetooth-Profil	A2DP/AVRCP
Maximale Radiofrequenzleistung:	BT EDR: 3.91dBm
Betriebsfrequenz	2402MHz~2480MHz

Elektrische Daten	
Lautsprecher	2.5 Zoll, 8 Ohm x2 4 Zoll, 6 Ohm x1
Ausgangsleistung	10.8V-12Vmax: 2W x2 +10W 14.4V: 3W x2 +15W 18V: 5W x2 + 25W
Eingangsbuchse	Durchmesser 3,5 mm (AUX IN)
Antennensystem	UKW: Integrierte Antenne MW: Stabantenne
Abmessungen (L x B x H)	268 x 164 x 295 mm
Gewicht	4.9 KG (ohne Akku)

## ITALIANO (Istruzioni Originali)

### DESCRIZIONE DEL PRODOTTO (Fig. 1)

1. Antenna AM Integrata
2. Impugnatura/Antenna FM Integrata
3. Vano Batteria
4. Coperchio Vano Batteria (coperchio cartuccia batteria)
5. Altoparlante
6. Presa DC-IN
7. Subwoofer
8. Tasto Accensione/Funzione "Sleep" (spegnimento programmato)
9. Tasto Fonte
10. Tasto Sveglia con Radio
11. Tasto Sveglia con Cicalino
12. Tasto Preselezione 3/Avvio/Pausa
13. Tasto Preselezione 5
14. Tasto Preselezione 4/Brano successivo
15. Manopola Volume/Controllo Sintonia/Selezione
16. Tasto Controllo EQ
17. Presa AUX-IN
18. Porta Alimentazione USB
19. Tasto Menu/Info
20. Indicatore LED Modalità EQ
21. Tasto Preselezione 2/Brano Precedente
22. Tasto Preselezione 1/Abbinamento Bluetooth
23. Quadrante LCD
24. Vano Batteria
25. Vano Batteria di Riserva

### QUADRANTE LCD

- A. Sveglia con Radio
- B. Sveglia con Cicalino
- C. Simbolo Stereo
- D. Indicatore Batteria Scarica
- E. Orologio
- F. Frequenza
- G. RDS (Radio Data System)
- H. Icona Timer Funzione "Sleep" (spegnimento automatico)
- I. PM per Orologio

### LEGENDA

Qui di seguito vengono descritti i simboli usati per l'apparecchio, il cui significato va compreso prima dell'uso.



Solo per i paesi della UE.

Non gettare batterie o dispositivi elettrici con i rifiuti domestici ordinari! Nel rispetto delle Direttive Europee sui Dispositivi Elettrici ed Elettronici di Scarto e sulle Batterie e Accumulatori e sulle Batterie ed Accumulatori di Scarto e la loro implementazione in accordo con le leggi nazionali, i dispositivi elettrici e le batterie al termine del loro ciclo vitale devono essere raccolte separatamente e consegnate a una struttura di riciclaggio nel rispetto dell'ambiente.

### IMPORTANTI ISTRUZIONI PER LA SICUREZZA

#### AVVERTENZE:

Quando si usa un apparecchio elettrico, è necessario seguire alcune semplici precauzioni per ridurre il rischio di incendi, scosse elettriche e infortuni, incluse le seguenti:

1. Prima dell'uso, studiare bene il presente manuale e il manuale delle istruzioni del caricabatteria.
2. Pulire solo con un panno asciutto.
3. Non installare nei pressi di fonti di calore, quali stufe, termosifoni, radiatori o altri apparecchi che producano calore (amplificatori inclusi).
4. Usare esclusivamente gli accessori specificati dal produttore.
5. Staccare la spina dell'apparecchio durante i temporali o se non intende usarlo per lunghi periodi.
6. Le radio con batteria integrata o separata devono essere ricaricate solo con il caricabatteria specifico per quel tipo di batteria. Un caricabatteria destinato ad un determinato tipo di batteria potrebbe comportare il pericolo di incendio se utilizzato con batterie diverse.
7. Utilizzare la radio a batteria solo con le batterie specifiche. L'utilizzo di batterie diverse potrebbe esporre al rischio di incendio.
8. Quando il pacco di batterie non è in uso, va tenuto separato da altri oggetti in metallo, quali fermagli, monete, chiavi, viti e altri oggetti metallici minuti, che potrebbero mettere in cortocircuito i due poli della batteria, con il rischio di causare scintille, e conseguenti incendi o ustioni.
9. Evitare il contatto tra il proprio corpo e altri materiali conduttori, quali tubi, termosifoni, fornelli, frigoriferi e simili. Il rischio di scossa elettrica aumenta di molto se è il proprio corpo è in contatto con tali materiali.
10. L'abuso delle batterie può causare perdite di elettroliti, il contatto con i quali va evitato. In caso di contatto accidentale, sciacquare abbondantemente con acqua pulita. In caso di contatto con gli occhi, rivolgersi immediatamente ad un medico. Gli elettroliti espulsi dalle batterie possono causare ustioni chimiche e



Leggere il manuale delle istruzioni.

irritazioni.

11. Non usare batterie o strumenti danneggiati o alterati.

Le batterie danneggiate o alterate potrebbero comportarsi in maniera imprevedibile, causando incendi, esplosioni e lesioni.

12. Non esporre le batterie al fuoco o a temperature sopra i 130°C, o potrebbero esplodere.
13. Seguire tutte le istruzioni per la ricarica e non caricare le batterie e gli strumenti a temperature che eccedano le specifiche tecniche indicate nelle istruzioni. La ricarica inappropriata o a temperature non consentite può danneggiare la batteria e aumentare il rischio di incendi.
14. La spina dell'apparecchio funge da dispositivo di scollegamento di emergenza, e come tale va mantenuta prontamente accessibile.
15. Non usare il prodotto ad alto volume per lunghi periodi di tempo. Per preservare l'udito, usare il prodotto a volume moderato.
16. (Solo per prodotti con quadrante LCD) I quadranti LCD contengono sostanze liquide tossiche ed irritanti. Se il liquido entra in contatto con gli occhi, la bocca o la pelle, sciacquare con acqua pulita e contattare un medico.
17. Non esporre il prodotto a pioggia o umidità. L'ingresso di acqua nel prodotto può aumentare il rischio di scossa elettrica.
18. Questo prodotto non è adatto ad essere usato da persone, bambini inclusi, con ridotte capacità fisiche, mentali o sensoriali, o prive della necessaria esperienza e perizia, a meno che non siano istruite e supervisionate da un tutore responsabile per la loro incolumità. I bambini devono essere supervisionati per accertarsi che non giochino con il prodotto. Conservare il prodotto fuori della portata dei bambini.

## CONSERVARE QUESTE ISTRUZIONI

### AVVERTENZE PER LA SICUREZZA SPECIFICHE PER IL PACCO BATTERIA

1. Prima di usare il pacco batteria, leggere tutte le istruzioni e i contrassegni di avvertenza sul pacco stesso (1), sulle batterie (2) e sul prodotto a cui sono destinate (3).
2. Non smontare il pacco batterie.
3. Se la durata delle batterie dovesse ridursi drasticamente, interrompere subito l'uso, così da prevenire il rischio di surriscaldamenti, ustioni ed esplosioni.
4. Nel caso di contatto tra gli elettroliti della batteria e gli occhi, sciacquare con acqua pulita e rivolgersi subito ad un medico. Rischio di danni alla vista.
5. Non mettere il pacco batteria in cortocircuito:
  - 1) Non toccare i poli con materiali conduttori;
  - 2) Non riporre il pacco delle batterie in contenitori con

altri oggetti metallici, quali chiodi, monete e simili;

- 3) Non esporre la batteria ad acqua o umidità.
- Un cortocircuito della batteria può causare sovraccarichi di tensione, surriscaldamenti, ustioni ed anche guasti.
6. Non riporre l'apparecchio e il pacco delle batterie in luoghi con temperature vicine o superiori ai 50°C.
7. Non bruciare il pacco batteria, anche se severamente danneggiato o completamente usurato, o potrebbe incendiarsi ed anche esplodere.
8. Non sottoporre le batterie a urti o cadute.
9. Non usare le batterie se danneggiate.
10. Per evitare rischi, leggere il manuale delle batterie sostituibili prima dell'uso. L'emissione massima della batteria dovrebbe essere pari o superiore a 8A.
11. Le incluse batterie agli ioni di litio sono soggette ai requisiti della Legislazione sulle Merci Pericolose. È necessario osservare i requisiti speciali riguardanti il confezionamento e l'etichettatura per il trasporto commerciale da parte di terzi e di spedizionieri. Per approntare tali articoli alla spedizione è richiesta la consulenza di un esperto in materiali pericolosi. Osservare inoltre qualsiasi altra legge locale. Isolare con nastro o mascherare i contatti esposti, ed imballare la batteria così che non si muova all'interno del pacco.
12. Rispettare le leggi locali in materia di smaltimento delle batterie usate.
13. Usare le batterie solo con i prodotti specificati da Makita. Installando le batterie su prodotti non conformi si espone al rischio di incendi, surriscaldamento, esplosioni o perdite di elettroliti.

#### **⚠ ATTENZIONE:**

- **Pericoloso di esplosione se la batteria non è sostituita correttamente.**
- **Sostituire solo con batterie dello stesso modello o equivalenti.**
- **Usare solo batterie Makita originali. L'uso di batterie non originali o alterate comporta il rischio di esplosioni, lesioni personali e danni, ed inficerebbe la garanzia Makita per lo strumento e il caricabatteria Makita.**

#### **Suggerimenti per estendere al massimo la durata complessiva della batteria**

1. Ricaricare il pacco della batteria prima che sia del tutto scarico. Se si nota un calo di potenza, cessare sempre l'uso dell'apparecchio e ricaricarne le batterie.
2. Non ricaricare mai delle batterie già completamente cariche. L'eccessiva ricarica può compromettere la durata complessiva delle batterie.
3. Ricaricare le batterie a temperatura ambiente (10°C ~ 40°C). Se calde, lasciarle raffreddare prima di ricaricarle.
4. Ricaricare le batterie se non si intende usarle per lunghi periodi (superiori ai sei mesi).



# AUTONOMIA OPERATIVA

\* I pacchi batteria adatti a questa radio sono elencati nella seguente tabella.

\* La seguente tabella indica l'autonomia per le singole ricariche.

Capacità della batteria	Tensione della batteria			USCITA ALTOPARLANTE = 100mW Unità: Ora (circa)	
	10.8V – 12Vmax	14.4V	18V	In modalità radio o AUX	Con Bluetooth + Alimentazione USB
1.3 Ah		BL1415		3.5	0.7
			BL1815	4.0	1.0
1.5 Ah	BL1015 BL1016			6.0	0.8
		BL1415N BL1415NA		4.5	0.9
			BL1815N	5.0	1.2
2.0 Ah	BL1020B BL1021B			8.0	1.0
			BL1820 BL1820B	6.5	1.6
3.0 Ah		BL1430 BL1430B BL1430A		8.0	1.6
			BL1830 BL1830B	9.5	2.3
4.0 Ah	BL1040B BL1041B			16	2.1
		BL1440		13	2.5
			BL1840 BL1840B	13	3.2
5.0 Ah		BL1450		15	3.0
			BL1850 BL1850B	17	4.2
6.0 Ah		BL1460B BL1460A		17	3.3
			BL1860B	21	5.0

## **⚠ ATTENZIONE:**

**Usare solo le cartucce per batteria sopra elencate. L'uso di qualsiasi altra cartuccia per batteria espone l'utente al rischio di incendi e lesioni gravi.**

### **Nota:**

- La presente tabella relativa all'autonomia delle batterie vale come semplice riferimento.
- L'autonomia reale può variare a seconda del tipo di batteria, delle condizioni di ricarica e dell'ambiente operativo.

# INSTALLAZIONE ED ALIMENTAZIONE

## ⚠ PERICOLO:

- Fare attenzione a non pizzicarsi le dita quando si apre e richiude lo sportello del vano batteria.
- Dopo aver installato o rimosso il pacco batteria, rimettere il pannello del vano batteria nella sua posizione originale, o il pacco batteria potrebbe accidentalmente fuoriuscire dalla radio, con possibile rischio di danni a cose e persone.
- Richiudere sempre e bloccare il pannello del vano batteria prima di spostare la radio.
- Spegni sempre la radio prima di installare o rimuovere il pacco batteria.
- Non esporre la radio ad urti e cadute. Se rotto o spezzato, il materiale dell'involucro del prodotto potrebbe causare ferite all'utente. Se danneggiata, la radio potrebbe esibire un comportamento anormale e imprevedibile, con rischio di incendio, esplosione e lesioni personali.

## IMPORTANTE:

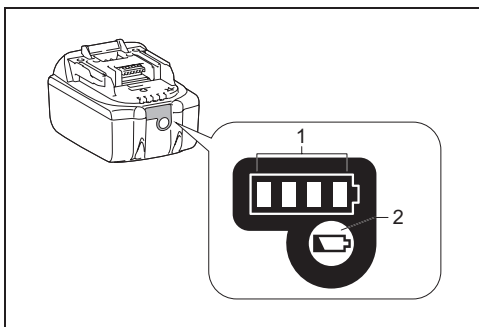
- Riduzioni di energia, distorsioni, audio spezzettato, l'accensione dell'indicatore di batteria scarica e il messaggio "POWERFAIL" sul quadrante, indicano che è necessario sostituire il pacco batteria principale.
- L'accensione dell'indicatore di batteria scarica e il messaggio "EMPTY" indicano che è necessario sostituire le batterie di riserva.
- Il pacco batteria non può essere ricaricato usando il l'adattatore AC incluso nella confezione.
- Il pacco batteria non è incluso come accessorio standard.

## Inserimento o rimozione della batteria a scorrimento (Fig. 4 & 5)

- Per inserire la batteria, allineare la linguetta sulla batteria con la scanalatura nell'alloggiamento e farla scorrere in posizione. Inserire a fondo la batteria fino a bloccarla in posizione con uno scatto.
- Se l'indicatore rosso sul lato superiore del tasto rimane visibile, la batteria non è stata bene inserita. Installarla del tutto, fino alla scomparsa dell'indicatore rosso, o la batteria potrebbe accidentalmente fuoriuscire dalla radio, esponendo l'utente e i terzi al rischio di lesioni.
- Non forzare l'inserimento della batteria. Se la batteria non dovesse scorrere agevolmente, significa che non la si sta inserendo correttamente.
- Per rimuovere il pacco batteria, estrarlo dalla radio mentre si fa scorrere il tasto sul davanti del pacco.

## Indicazione della capacità residua della batteria

\* Solo per modelli di batteria il cui codice termina in "B".



## ➤ 1. Indicatore luminoso 2. Tasto di controllo

Premere il tasto di controllo sulla batteria per visualizzarne il livello residuo accendendo per qualche secondo gli indicatori.

### • Batterie 14,4~18V

Indicatore luminoso			Livello residuo
Acceso	Spento	Lampeggiante	
■	□	◐	75% ~ 100%
■	■	□	50% ~ 75%
■	□	□	25% ~ 50%
■	□	□	0% ~ 25%
◐	□	□	Ricaricare le batterie
■	■	□	Batterie in possibile avaria
□	□	■	

### • Batterie 10,8~12V massimo

Indicatore luminoso			Livello residuo
Acceso	Spento	Lampeggiante	
■	□	◐	75% ~ 100%
■	■	□	50% ~ 75%
■	□	□	25% ~ 50%
■	□	□	0% ~ 25%

## NOTA:

Il valore indicato potrebbe variare leggermente dalla capacità effettiva, a seconda delle condizioni d'uso e della

temperatura ambientale.

## Installazione batteria di riserva (Fig. 2 & 3)

Le batterie di riserva hanno lo scopo di prevenire la perdita dei dati della memoria della preselezione.

1. Sblocca ed estrai il vano batteria, che contiene la batteria principale e la batteria di riserva.
2. Rimuovi il coperchio del vano batteria e inserisci due pacchi UM-3 (di tipo AA) nuovi rispettando la corretta polarità indicata all'interno del vano stesso. Rimetti il coperchio della batteria.
3. Dopo aver inserito la batteria di riserva, inserisci la batteria principale, che alimenterà la radio.

## USO DELL'ADATTATORE AC INCLUSO

Rimuovere la protezione in gomma ed inserire la spina dell'adattatore nella presa DC posta sul lato destro della radio. Collegare l'adattatore ad una presa elettrica standard. Collegando l'adattatore, il pacco batteria viene automaticamente scollegato.

### ⚠ ATTENZIONE:

- **Scollegare sempre del tutto l'adattatore AC prima di spostare la radio, per prevenire il rischio di scossa elettrica.**
- **Non tirare o stratonare il cavo dell'adattatore, o la radio potrebbe accidentalmente cadere e danneggiarsi, rischiando di ferire l'utente e i terzi.**

### IMPORTANTE:

- L'adattatore collega la radio alla rete elettrica, e deve rimanere sempre accessibile durante l'uso normale.
- Per scollegare the radio, l'adattatore deve essere completamente staccato dalla presa elettrica.
- Usare esclusivamente l'adattatore AC in dotazione con il prodotto o uno specificatamente indicato da Makita.
- Non mettere in bocca il cavo di alimentazione o la spina, o si rischierebbe una scossa elettrica.
- Non toccare la spina con mani umide o unte.
- Un cavo danneggiato o ingarbugliato aumenta il rischio di scossa elettrica. Se il cavo di alimentazione dovesse subire danni, andrà sostituito da un nostro centro di assistenza autorizzato, così da evitare rischi per la sicurezza. Non usare il cavo prima di ripararlo.
- Dopo l'uso, riporre l'adattatore AC al di fuori della portata dei bambini. I bambini non devono giocare con il cavo, o potrebbero farsi male.

### Nota:

Se l'adattatore CA dovesse interferire con la ricezione in AM, spostalo a più di 30cm dalla radio.

## Caricare via porta di alimentazione USB

Il dispositivo USB può essere ricaricato tramite la porta USB posta sul pannello frontale della radio.

1. Collegare il dispositivo USB (lettore MP3 o CD) con un

cavo USB disponibile in commercio.

2. Premi il tasto di accensione per accendere la radio.
3. Che la radio sia alimentata con corrente alternata o a batteria, la ricarica di un dispositivo USB dalla radio è possibile quando la radio è accesa e nelle modalità FM, BT o AUX (fonte audio esterna).

### Nota:

- La ricarica via USB non è disponibile durante l'ascolto della radio in AM, in quanto questa operazione comprometterebbe sensibilmente la ricezione del segnale radio.
- Il volume massimo dell'altoparlante diminuisce durante una ricarica via USB.
- La presa USB fornisce elettricità con massimo 2.4A -5V.

### Importante:

- Prima di connettere il dispositivo USB alla porta USB, effettuare sempre una copia dei dati contenuti nel dispositivo USB, per evitare che vadano perduti.
- La radio potrebbe non ricaricare alcuni dispositivi USB.
- Quando non è in uso o dopo il caricamento, rimuovere il cavo USB e richiudere il coperchio.
- Non collegare fonti di alimentazione alla porta USB o si rischierebbe un incendio. La porta USB è destinata solo al caricamento di dispositivi a basso voltaggio. Rimettere sempre il gommino sulla porta USB quando non è in uso.
- Non inserire chiodi, cavi, ecc. nella porta USB. Ciò potrebbe causare un cortocircuito, con rischio d'incendio.
- Non collegare la presa USB alla porta USB di un PC, onde evitare il rischio elevato di guasto delle unità.

## ASCOLTO DELLA RADIO

### Sintonizzazione automatica AM/FM

### Nota:

L'antenna FM è integrata nell'impugnatura. Quando utilizzi la radio, alza correttamente l'impugnatura sopra la radio per ottimizzare la ricezione. Ruota la radio per ottenere un migliore segnale AM, in quanto l'antenna AM è integrata nella radio.

1. Premi il tasto di accensione per accendere la radio.
2. Premi il tasto Fonte per selezionare una delle modalità radio, AM o FM.
3. Tieni premuta la manopola di controllo della sintonia per avviare la sintonizzazione automatica. La radio eseguirà la scansione della banda AM o FM partendo dalla frequenza corrente, fermandosi quando rileva una stazione con segnale sufficientemente potente.
4. Il segnale si aggiornerà trascorsi alcuni secondi, mostrando la frequenza della stazione rilevata.
5. Per cercare un'altra stazione, tieni premuta nuovamente la manopola di controllo della sintonia.
6. Quando viene raggiunta la fine della banda, la radio riprenderà la sintonizzazione dall'estremità opposta della banda stessa.

7. Ruota la manopola di controllo della sintonia per regolare il volume sul livello desiderato.

**Nota:**

- Durante la regolazione del volume, assicurati che sul quadrante NON stia lampeggiando AM/FM.
- Se sul quadrante lampeggia AM/FM, significa che è attiva la sintonizzazione manuale delle stazioni (vedi la sezione "Sintonizzazione manuale AM/FM" per ulteriori dettagli).
- Non regolare il volume ad un livello eccessivo. Per evitare possibili danni all'udito, non ascoltare ad un volume elevato per lunghi periodi.

8. Per spegnere la radio, premi il tasto di accensione.

### Sintonizzazione manuale AM/FM

1. Premi il tasto di accensione per accendere la radio.
2. Premi il tasto Source per selezionare la modalità radio AM o FM.
3. Premi la manopola di controllo della sintonia, e sul quadrante lampeggerà la scritta AM o FM.

**Nota:**

- AM/FM lampeggeranno per circa 10 secondi, durante i quali è possibile la sola sintonizzazione manuale.
  - Per regolare il volume mentre AM/FM sta lampeggiando, premi la manopola di controllo della sintonia per arrestare il lampeggio, e quindi ruota la manopola di controllo della sintonia per regolare il volume.
4. Ruota la manopola di controllo della sintonia per sintonizzare una stazione.
  5. Una volta raggiunta la fine della banda, la radio riprenderà la sintonizzazione dall'estremità opposta.
  6. Ruota la manopola di controllo della sintonia per regolare il volume sul livello desiderato.

### Preselezione delle stazioni in modalità AM/FM

È possibile salvare nella preselezione fino a cinque stazioni per ognuna delle bande AM ed FM. Il funzionamento è identico per entrambe le bande.

1. Premi il tasto di accensione per accendere la radio.
2. Premi il tasto Fonte per selezionare la banda desiderata. Sintonizza una stazione radio come descritto precedentemente.
3. Tieni premuto il tasto Preselezione desiderato (da 1 a 5) fino a leggerne l'identificativo (es. "P4") sul quadrante, dopo la frequenza. La stazione sarà salvata utilizzando il numero prescelto. Ripeti questa procedura per assegnare le restanti posizioni della preselezione come desiderato.
4. Seguendo la procedura sopra descritta, le eventuali stazioni già presenti nella preselezione verranno sovrascritte.

### Modalità visualizzazione – FM

La radio dispone di varie opzioni di visualizzazione per la

modalità Radio FM.

Premi ripetutamente il tasto Menu/Info per visualizzare le informazioni RDS della stazione corrente.

- |                      |   |
|----------------------|---|
| a. Nome stazione     | Visualizza il nome della stazione che si sta ascoltando.                                |
| b. Tipo di programma | Visualizza il tipo di stazione ascoltata, come Pop, Classica, Notizie, ecc.             |
| c. Testo radio       | Visualizza i messaggi di testo radio, come nuovi elementi, ecc.                         |
| d. Anno/Giorno       | Visualizza l'anno e il giorno della settimana in base alla data impostata nella radio.  |
| e. Data/Giorno       | Visualizza la data e il giorno della settimana in base alla data impostata nella radio. |
| f. Modalità EQ       | Visualizza la modalità EQ per la stazione FM corrente.                                  |
| g. Frequenza         | Visualizza la frequenza della stazione FM corrente.                                     |

### Stereo FM (auto/mono)

Se il segnale della stazione Radio FM corrente dovesse essere troppo debole, si potrebbe udire un sibilo. È possibile ridurre questo sibilo selezionando l'ascolto in mono piuttosto che in stereo.

1. Premi il tasto Fonte fino a selezionare la banda FM e sintonizza la stazione FM desiderata come precedentemente spiegato.
2. Tieni premuto il tasto Menu/Info per accedere al menu delle impostazioni.
3. Ruota la manopola di controllo della sintonia finché sul quadrante non appaia "FM AUTO" (o MONO). Seleziona Auto, premi la manopola di controllo della sintonia e quindi ruotala per passare alla modalità Mono per ridurre il sibilo. Premi la stessa manopola per confermare la selezione.

### Richiamare una stazione AM/FM dalla preselezione

1. Premi il tasto di accensione per accendere la radio.
2. Premi il tasto Fonte per selezionare la modalità radio AM o FM.
3. Premi brevemente il tasto Preselezione relativo alla stazione a cui desideri sintonizzarti.

## ALTRE IMPOSTAZIONI

### Impostazione del formato di data e ora

Puoi selezionare il formato di visualizzazione dell'orologio, che appare quando l'apparecchio è in standby e nelle schermate della modalità di riproduzione. Il formato selezionato verrà applicato anche alle sveglie.

1. Tieni premuto il tasto Menu/Info per accedere al menu delle impostazioni.

2. Ruota la manopola di controllo della sintonia fino a quando sul quadrante non appaia "CLOCK xxH" e premi la stessa manopola per accedere all'impostazione. Il formato dell'ora inizierà a lampeggiare.
3. Ruota la manopola di controllo della sintonia per selezionare il formato a 12 o a 24 ore. Premi la stessa manopola per confermare.

**Nota:**

scegliendo il formato a 12 ore, questo sarà utilizzato per tutte le impostazioni della radio.

4. Tieni premuto il tasto Menu/Info per accedere al menu delle impostazioni.
5. Ruota la manopola di controllo della sintonia finché sul quadrante non appaia una data (es. GIO 3 APR), e premi la stessa manopola per accedere all'impostazione. Il formato della data inizierà a lampeggiare.
6. Ruota la manopola di controllo della sintonia per selezionare il formato della data desiderato. Premi la stessa manopola per confermare.

### Regolazione di data e ora correnti

1. Tieni premuto il tasto Menu/Info.
2. Ruota la manopola di controllo della sintonia fino a quando "CLOCK ADJ" non appaia sul quadrante. Premi la stessa manopola per accedere alle impostazioni.
3. Le cifre dell'ora inizieranno a lampeggiare sul quadrante. Ruota la manopola di controllo della sintonia per impostare l'ora, quindi premi la stessa manopola per confermare. Ruota ancora la manopola di controllo della sintonia per selezionare il minuto desiderato, quindi premi la stessa manopola per confermare.
4. Ruota la manopola di controllo della sintonia fino a quando "DATE ADJ" non appaia sul quadrante. Premi la stessa manopola per accedere alle impostazioni.
5. Ruota la manopola di controllo della sintonia per selezionare l'anno desiderato, e premi la stessa manopola per confermare. Ruota quindi la manopola di controllo della sintonia per selezionare il mese desiderato e premi la stessa manopola per confermare. Infine ruota la manopola di controllo della sintonia per selezionare la data desiderata, e premi la stessa manopola per confermare.

### Funzione RDS (Radio Data System)

Impostando l'ora con la funzione RDS, la radio sincronizzerà l'orologio ogni volta che ci si sintonizza su una stazione radio che trasmette dati RDS con segnali CT.

1. Mentre si è sintonizzati su una stazione che trasmette dati RDS, il simbolo RDS apparirà sul quadrante. Tieni premuto il tasto Menu/Info.
2. Ruota la manopola di controllo della sintonia fino a quando "RDS CT" e il simbolo dell'orologio non appaiano sul quadrante. Premi la stessa manopola per accedere alle impostazioni.
3. Ruota la manopola di controllo della sintonia fin quando "RDS CT" non appaia sul quadrante. Premi la

stessa manopola per confermare. L'ora sarà impostata automaticamente in base ai dati RDS ricevuti.

**Nota:**

- Ogni volta che si sincronizza l'ora con i dati "RDS CT" l'orario delle sveglie resterà valido per 5 giorni.
- Per disattivare la funzione "RDS CT", ripeti i punti da 1 a 2, e quindi ruota la manopola di controllo della sintonia per selezionare l'opzione "MANUAL". Premi la stessa manopola per confermare l'impostazione.

### Programmare la sveglia

La radio dispone di due sveglie che possono essere impostate per suonare con la radio AM/FM o con il cicalino. Le sveglie possono essere impostate sia con l'apparecchio in standby che durante l'ascolto.

**Nota:**

prima di impostare le sveglie accertati che l'ora sia impostata correttamente. Se non premerai alcun tasto per 10 secondi, la radio uscirà dall'impostazione della sveglia senza salvare.

**a. Programmare la sveglia con la radio:**

1. La sveglia con la radio può essere impostata sia con la radio accesa che spenta.
2. Tieni premuto il tasto della sveglia, il relativo simbolo e l'ora lampeggeranno, e si udrà un segnale acustico.
3. Con il simbolo della sveglia lampeggiante, ruota la manopola di controllo della sintonia per selezionare l'ora e premi di nuovo la stessa manopola per confermare l'impostazione dell'ora. Ruota quindi la manopola di controllo della sintonia per selezionare i minuti e premi la stessa manopola per confermare.
4. Ruota la manopola di controllo della sintonia e sul quadrante appariranno le opzioni di frequenza per la sveglia, che sono le seguenti:  
UNA VOLTA: la sveglia suonerà una sola volta  
OGNI GIORNO: la sveglia suonerà ogni giorno  
WEEKDAY: la sveglia suonerà solo nei giorni feriali  
WEEK END: la sveglia suonerà solo nei fine settimana  
Premi la manopola di controllo della sintonia per confermare l'impostazione.
5. Con il simbolo della sveglia lampeggiante, ruota la manopola di controllo della sintonia per selezionare la banda e la stazione con la quale svegliarti, quindi premi la stessa manopola per confermare.
6. Ruota la manopola di controllo della sintonia per selezionare il volume desiderato, e premi la stessa manopola per confermare. L'impostazione della sveglia è così completata.

**Nota:**

- Se si omette di selezionare una nuova stazione per la sveglia, verrà usata l'ultima stazione selezionata.
- Se la stazione AM/FM selezionata non fosse più disponibile, la sveglia suonerà con il cicalino.

**b. Programmare la sveglia HWS (Humane Wake System) con cicalino:**

Selezionando la sveglia con cicalino HWS si udrà un

segnale acustico.

Il segnale acustico della sveglia suonerà in crescendo ogni 15 secondi per un minuto, seguito da un minuto di silenzio prima di ripetersi.

1. La sveglia con cicalino può essere impostata sia con la radio accesa che spenta.
2. Tieni premuto il tasto di sveglia con cicalino, il simbolo della sveglia e l'ora lampeggeranno, e si udrà un segnale acustico.
3. Con il simbolo della sveglia lampeggiante, ruota la manopola di controllo della sintonia per selezionare l'ora e premi di nuovo la stessa manopola per confermare l'impostazione dell'ora. Ruota quindi la manopola di controllo della sintonia per selezionare i minuti e premi la stessa manopola per confermare.
4. Ruota la manopola di controllo della sintonia e sul quadrante appariranno le opzioni di frequenza per la sveglia, che sono le seguenti:

UNA VOLTA: la sveglia suonerà una sola volta

OGNI GIORNO: la sveglia suonerà ogni giorno

WEEKDAY: la sveglia suonerà solo nei giorni feriali

WEEK END: la sveglia suonerà solo nei fine settimana

Premi la manopola di controllo della sintonia per confermare l'impostazione.

#### **Nota:**

il volume del cicalino non è regolabile.

### **Spegnere la suoneria della sveglia**

Per spegnere la suoneria della sveglia, premi il tasto di accensione.

### **Disattivare la sveglia**

Per disattivare una sveglia prima che suoni, tieni premuto il corrispondente tasto della sveglia fin quando il simbolo della sveglia non scompare dal quadrante.

### **Funzione Pisolino (Snooze)**

1. Al suonare della sveglia, premi qualsiasi tasto tranne quello di accensione, per silenziare la suoneria per cinque minuti. Sul quadrante apparirà la scritta "SNOOZE".
2. Per impostare la durata del pisolino, tieni premuto il tasto Menu/Info e accedi al menu delle impostazioni.
3. Ruota la manopola di controllo della sintonia fino a leggere "SNOOZE X" sul quadrante, quindi premi la stessa manopola per accedere all'impostazione. Ruota la manopola di controllo della sintonia per impostare la durata del pisolino, scegliendo tra 5, 10, 15 e 20 minuti.
4. Premi il tasto di accensione per annullare la funzione mentre è attiva.

### **Timer funzione "Sleep" (spegnimento programmato)**

La radio può essere impostata in modo che si spenga automaticamente una volta trascorso il periodo programmato, che può essere scelto tra 60, 45, 30, 15,

120 e 90 minuti.

1. Tieni premuto il tasto di accensione per accedere all'impostazione del timer di spegnimento. Sul quadrante apparirà la scritta "SLEEP XX".
2. Continua a tenere premuto il tasto di accensione, e le opzioni del timer di spegnimento inizieranno a scorrere sul quadrante. Rilascia il tasto quando sul quadrante appare l'impostazione desiderata. L'impostazione verrà salvata e il quadrante LCD tornerà alla visualizzazione normale.
3. La radio si spegnerà automaticamente una volta trascorso il periodo programmato. L'icona del timer di spegnimento apparirà sul quadrante a confermare che la funzione è attiva.
4. Per annullare la funzione "Sleep" prima che sia trascorso il periodo programmato, basterà premere il tasto di accensione in modo da spegnere l'apparecchio manualmente.

### **Funzione "Loudness" (compensazione dei suoni bassi)**

È possibile compensare i suoni bassi durante l'ascolto della radio a basso volume.

1. Tieni premuto il tasto Menu/Info per accedere al menu delle impostazioni.
2. Ruota la manopola di controllo della sintonia fino a quando "LOUD ON" o "LOUD OFF" non appaia sul quadrante. Premi la stessa manopola per accedere alle impostazioni.
3. Ruota la manopola di controllo della sintonia per selezionare ON, attivando così la funzione "Loudness", quindi premi la stessa manopola per confermare l'impostazione.
4. Per disattivare la funzione "Loudness", seleziona OFF e premi la manopola di controllo della sintonia per confermare.

### **Equalizzatore**

Ci sono sette tipi di indicatori LED colorati attorno alla manopola di controllo della sintonia, ciascuno relativo ad una diversa modalità EQ.

1. Premi il tasto di accensione per accendere la radio.
2. Premi il tasto di controllo EQ per accedere al menu di impostazione EQ.
3. Ruota la manopola di controllo della sintonia per selezionare la modalità desiderata. Quindi premi la manopola di controllo della sintonia per confermare la selezione.

Modalità EQ	Indicatore LED
FLAT	Bianco
JAZZ	Blu
ROCK	Rosso
CLASSIC	Marrone
POP	Rosa
NEWS	Giallo
MY EQ	Verde

## Impostare il profilo "My EQ"

1. Premi il tasto di controllo EQ per accedere al menu di impostazione EQ.
2. Ruota la manopola di controllo della sintonia per selezionare "MY EQ". Quindi premi la manopola di controllo della sintonia per accedere all'impostazione "BASS".
3. Ruota la manopola di controllo della sintonia per impostare i suoni bassi sul livello desiderato. Premi la stessa manopola per accedere all'impostazione "MIDDLE".
4. Ruota la manopola di controllo della sintonia per impostare i suoni medi sul livello desiderato. Premi la stessa manopola per accedere all'impostazione "TREBLE".
5. Ruota la manopola di controllo della sintonia per impostare i suoni alti sul livello desiderato. Premi la stessa manopola per confermare le impostazioni.

### Nota:

- Quando si utilizza l'equalizzatore per enfatizzare i suoni bassi ad un volume elevato, il suono potrebbe risultare distorto e irregolare. In questo caso, regola il volume della radio su un livello appropriato.

## ASCOLTO DI MUSICA IN STREAMING BLUETOOTH

Per riprodurre brani musicali con la radio via Bluetooth, si dovrà prima sincronizzare il proprio dispositivo Bluetooth con la radio stessa, in modo che i due dispositivi possano riconoscersi l'un l'altro.

### Nota:

- Per una migliore qualità audio, si consiglia di regolare il volume del proprio dispositivo ad almeno due terzi del massimo, e quindi di regolare il volume della radio sul livello desiderato.
- La radio può memorizzare fino a otto dispositivi a cui sincronizzarsi. Ogni dispositivo in eccesso della memoria sarà sovrascritto sul dispositivo meno recente.

## SINCRONIZZARE UN NUOVO DISPOSITIVO BLUETOOTH

1. Premi il tasto di accensione per accendere la radio. Premi il tasto Fonte per selezionare la modalità Bluetooth. Sul quadrante apparirà la scritta "BT PAIR", con "PAIR" lampeggiante.
2. Attivare Bluetooth sul proprio dispositivo secondo le istruzioni per collegare la radio contenute nel manuale. Nella lista dei dispositivi Bluetooth rilevati selezionare "DMR114". (Alcuni dispositivi, dotati di una versione precedente alla BT2.1, richiedono di inserire la password "0000").
3. A connessione ultimata si udrà un suono di conferma. La scritta BLUETOOTH rimarrà sul quadrante e la retroilluminazione si spegnerà in 10 secondi. A questo

- punto potrai selezionare e riprodurre musica dal dispositivo esterno. Il livello del volume potrà essere regolato sia dal dispositivo esterno che dalla radio.
4. Usare i controlli del dispositivo Bluetooth esterno o quelli della radio per avviare la riproduzione, metterla in pausa e navigare i brani.

### Nota:

- Sincronizzando per la prima volta due dispositivi Bluetooth, entrambi riporteranno la radio nell'elenco dei dispositivi rilevati. Tuttavia, collegando uno dei dispositivi, la radio sparirà dall'elenco dell'altro.
- Se un dispositivo viene temporaneamente scollegato dalla radio, si dovrà ricollegarlo manualmente.
- Nel caso l'apparecchio DMR114 appaia nell'elenco dei dispositivi Bluetooth rilevati, ma sia impossibile stabilire la connessione con esso, cancellarlo dall'elenco e ripetere la sincronizzazione seguendo le istruzioni precedenti.
- Il raggio d'azione ottimale di Bluetooth è di circa 10 metri senza ostacoli, ma può raggiungere i 30 metri.
- Nel caso la connessione Bluetooth venga interrotta a causa dell'eccessivo tempo di separazione, della troppa distanza, della presenza di ostacoli o altro, potrebbe essere necessario ripetere la connessione.
- La qualità della connessione può dipendere dalla presenza di ostacoli fisici, dispositivi Wi-Fi e dispositivi elettromagnetici.
- Le prestazioni della connessione Bluetooth possono variare a seconda dei dispositivi connessi. Fare riferimento alle capacità Bluetooth del dispositivo esterno prima di collegarlo alla radio. Non è possibile garantire il supporto di tutte le funzioni su alcuni dispositivi Bluetooth sincronizzati.

## Riproduzione di file audio in modalità Bluetooth

Una volta completata la connessione tra la radio e il dispositivo Bluetooth esterno, sarà possibile usare i controlli di quest'ultimo per avviare l'ascolto.

1. Una volta avviato l'ascolto, regolare il volume dalla radio o del dispositivo Bluetooth esterno.
2. Usa i controlli del dispositivo Bluetooth esterno per avviare o mettere in pausa la riproduzione, o per navigare tra i brani. In alternativa, controlla la riproduzione dalla radio usando i pulsanti Riproduci/ Pausa, Brano Successivo, Brano Precedente.
3. Tieni premuto uno dei tasti Brano Successivo o Brano Precedente per spostarti all'interno del brano corrente. Rilascia il tasto una volta raggiunto il punto desiderato.

### Nota:

- Alcuni lettori o applicazioni potrebbero non rispondere interamente a tutti questi controlli.
- Alcuni cellulari potrebbero disconnettersi temporaneamente dalla radio per ricevere o effettuare una chiamata. Alcuni dispositivi potrebbero interrompere temporaneamente il loro segnale audio

Bluetooth al ricevimento di messaggi di testo, email o per altre ragioni non relative al segnale audio. Ciò è dovuto a una funzione del dispositivo esterno, e non ad un'avaria della radio.

## COLLEGAMENTO BLUETOOTH CON DISPOSITIVI NOTI

Se si è già sincronizzata la radio con un dispositivo Bluetooth esterno, la sincronizzazione sarà automatica. Nel caso l'ultimo dispositivo connesso non sia disponibile, la radio apparirà nell'elenco dei dispositivi rilevati.

## Scollegare il Dispositivo Bluetooth Esterno

Tieni premuto il tasto di abbinamento Bluetooth per 2-3 secondi finché sul quadrante non appaia la scritta "BT PAIR", o disattiva Bluetooth sul dispositivo Bluetooth esterno per disabilitare la connessione.

È inoltre possibile disabilitare la connessione Bluetooth selezionando una diversa modalità con il tasto Fonte.

## Eliminazione dalla memoria dei dispositivi Bluetooth già abbinati

Per cancellare dalla memoria tutti i dispositivi già abbinati, tieni premuto il tasto di abbinamento Bluetooth per più di cinque secondi, fino a che sul quadrante non appaia la scritta "CLEARING".

## INGRESSI AUSILIARI

L'apparecchio è dotato di una presa di ingresso ausiliaria da 3,5 mm posta nel suo lato anteriore, che consente l'ingresso di un segnale audio nell'unità da un dispositivo audio esterno, come un lettore MP3 o CD.

1. Collega una fonte audio esterna (come un lettore MP3 o CD) alla presa AUX-IN.
2. Premi il tasto di accensione per accendere la radio.
3. Premi più volte il tasto Fonte e rilascialo quando leggi "AUX IN" sul quadrante.
4. Per ottimizzare la qualità audio, si imposti il volume del dispositivo esterno sopra i 2/3 del livello massimo, per poi regolarlo direttamente dalla radio.

### Nota:

Il cavo audio non è incluso come accessorio standard.

## MANUTENZIONE

### ⚠ ATTENZIONE:

- Evitare assolutamente l'uso di benzine, diluenti, solventi, alcol o sostanze simili. In caso contrario, potrebbero verificarsi scoloriture, deformazioni e incrinature.
- Non lavare la radio con acqua.

## Technische Daten

Technische Daten	
Netzadapter	Gleichspannung 12V 2.5A; mittlerer Stift Pluspol
Akku	2x UM-3 (AA) als Reserve Einschub-Batterie: 10,8V - 18V
Frequenzbereich	UKW 87,50-108MHz (0,05MHz Intervall) MW 522-1.710kHz (9 kHz Intervall)

Bluetooth®	
(Die Bluetooth®-Wortmarke und die Bluetooth®-Logos sind eingetragene Marken von Bluetooth SIG, Inc.)	
Bluetooth-Version	5.0 Zertifiziert
Bluetooth-Profil	A2DP/SCMS-T/AVRCP
Übertragungsleistung	Leistungsklasse 2
Übertragungsbereich	Optimum: Max. 10 Meter (33 Fuß) Möglich: Max. 30 Meter (100 Fuß) (abhängig von den Gebrauchsbedingungen)
Unterstützter Bluetooth-Codec	SBC
Kompatibles Bluetooth-Profil	A2DP/AVRCP
Maximale Radiofrequenzleistung:	BT EDR: 3.91dBm
Betriebsfrequenz	2402MHz~2480MHz

Elektrische Daten	
Lautsprecher	2.5 Zoll, 8 Ohm x2 4 Zoll, 6 Ohm x1
Ausgangsleistung	10.8V-12Vmax: 2W x2 +10W 14.4V: 3W x2 +15W 18V: 5W x2 + 25W
Eingangsbuchse	Durchmesser 3,5 mm (AUX IN)
Antennensystem	UKW: Integrierte Antenne MW: Stabantenne
Abmessungen (L x B x H)	268 x 164 x 295 mm
Gewicht	4.9 KG (ohne Akku)



## NEDERLANDS (Originele instructies)

### UITLEG ALGEMEEN OVERZICHT (Fig. 1)

1. Ingebouwde antenne (AM)
2. Handgreep/ingebouwde antenne (FM)
3. Vergrendeling accuvak
4. Deksel accuvak (bedekt accu-cartridge)
5. Luidspreker
6. DC-INGANG
7. Subwoofer
8. Power/Slaaptimer-knop
9. Bronknop
10. Radioalarm-knop
11. Zoemeralarm-knop
12. Voorkeurzender 3/Afspelen/Pauzeren-knop
13. Voorkeurzender 5-knop
14. Voorkeurzender 4/Volgende track-knop
15. Volume/Afstem/Select-knop
16. EQ-knop
17. AUX-INGANG
18. Usb-voedingspoort
19. Menu/Info-knop
20. Led-indicatielampje voor EQ-modus
21. Voorkeurzender 2/Vorige track-knop
22. Voorkeurzender 1/Bluetooth-knop
23. Lcd-display
24. Accuvak
25. Vak voor back-upbatterijen

### LCD-DISPLAY

- A. Radioalarm
- B. Zoemeralarm
- C. Stereo-symbool
- D. Batterij bijna leeg-indicator
- E. Klok
- F. Frequentie
- G. RDS (Radio Data System)
- H. Slaaptimerpictogram
- I. PM voor klok

### SYMBOLEN

Hieronder worden de symbolen getoond die worden gebruikt voor de apparatuur. Zorg ervoor dat u de betekenis van de symbolen begrijpt voordat u het apparaat gebruikt.



Lees de handleiding.



Alleen voor EU-landen.  
Gooi elektrische apparatuur of accu's

niet weg met het huisvuil! Volgens Europese richtlijnen inzake afgedankte elektrische en elektronische apparaten, batterijen, accu's en wegwerpbatterijen en de toepassing daarvan binnen de nationale wetgeving, dienen gebruikte elektrische apparaten en accu's die het einde van hun levensduur hebben bereikt, gescheiden te worden ingezameld en te worden teruggebracht naar een recyclebedrijf dat voldoet aan de geldende milieueisen.

### BELANGRIJKE VEILIGHEIDSLINSTRUCTIES

#### WAARSCHUWING:

Bij het gebruik van elektrisch gereedschap moeten altijd elementaire veiligheidsmaatregelen worden gevolgd, om het risico op brand, elektrische schokken en persoonlijk letsel te beperken, waaronder de volgende:

1. Lees deze handleiding en de handleiding van de oplader vóór gebruik zorgvuldig door.
2. Alleen reinigen met een droge doek.
3. Niet installeren in de buurt van warmtebronnen, zoals radiatoren, kachels of andere apparaten (inclusief versterkers) die warmte produceren.
4. Gebruik alleen accessoires/hulpstukken die door de fabrikant zijn gespecificeerd.
5. Haal de stekker van het apparaat uit het stopcontact tijdens onweer of als het apparaat voor lange tijd niet wordt gebruikt.
6. Een radio op batterijen met inwendige batterijen of een losse accu mag alleen worden opgeladen met de aanbevolen batterij-/acculader. Een acculader die geschikt is voor een bepaald type accu, kan brandgevaar opleveren indien gebruikt met een ander type accu.
7. Gebruik de radio op batterijen uitsluitend met de specifiek daarvoor bedoelde accu's. Door een ander type accu's te gebruiken, kan brandgevaar ontstaan.
8. Als de accu niet wordt gebruikt, houd deze dan uit de buurt van andere metalen voorwerpen zoals: paperclips, muntjes, sleutels, spijkers, schroeven of andere kleine metalen objecten die contactpunten van de accu kunnen verbinden. Het kortsluiten van de accupolen kan leiden tot vonken, brandwonden of brand.
9. Vermijd lichamelijk contact met geaarde oppervlakken zoals leidingen, radiatoren en koelkasten. Er bestaat een verhoogd risico op elektrische schokken als uw lichaam geaard is.
10. Bij verkeerd gebruik kan vloeistof vrijkomen uit de accu; vermijd contact. Als u per ongeluk in contact komt met deze vloeistof, spoel dan met water. Als er vloeistof in contact komt met de ogen, raadpleeg dan bovendien een arts. Vloeistof die vrijkomt uit de accu kan irritatie of brandwonden veroorzaken.
11. Gebruik geen accu's of gereedschap dat beschadigd of gewijzigd is. Beschadigde of aangepaste accu's kunnen onvoorspelbaar gedrag vertonen, wat kan leiden tot brand, explosies of letsel.

12. Stel accu's of gereedschap niet bloot aan vuur of extreme temperaturen. Blootstelling aan vuur of temperaturen boven 130 °C(266°F) kan een explosie veroorzaken.
13. Volg alle instructies m.b.t. het opladen op en laad de accu of het gereedschap nooit op buiten het in de handleiding aangegeven temperatuurbereik. Foutief opladen of opladen bij temperaturen buiten het toegestane temperatuurbereik kan leiden tot schade aan de accu en de kans op brand verhogen.
14. De stekker wordt gebruikt om het apparaat los te koppelen van het lichtnet en moet altijd eenvoudig bereikbaar blijven.
15. Gebruik het product niet gedurende een lange periode op een hoog volume. Gebruik het product op een gematigd volumeniveau.
16. (Alleen voor producten met LCD-display) LCD-displays bevatten vloeistof die irritatie en vergiftiging kan veroorzaken. Als de vloeistof in of op de ogen, mond of huid komt, spoel dan met water en raadpleeg een arts.
17. Stel het product niet bloot aan regen of vochtige omstandigheden. Als er water in het product komt, verhoogt dit de kans op elektrische schokken.
18. Dit product is niet bedoeld voor gebruik door personen (inclusief kinderen) met verminderde lichamelijke, zintuiglijke of mentale vermogens of personen die geen ervaring en/of kennis hebben m.b.t. het apparaat, tenzij zij onder toezicht staan van een voor hun veiligheid verantwoordelijke persoon of instructies m.b.t. het gebruik van het apparaat hebben ontvangen. Houd toezicht op kinderen om ervoor te zorgen dat ze niet met het product spelen. Bewaar het product buiten het bereik van kinderen.

## BEWAAR DEZE INSTRUCTIES

### SPECIFIEKE VEILIGHEIDSVORSCHRIFTEN VOOR ACCU

1. Lees, voordat u de accu gebruikt, alle instructies en waarschuwingen op de (1) acculader, de (2) accu en het (3) product dat gebruik maakt van de accu.
2. Demonteer de accu niet.
3. Als de gebruiksduur extreem veel korter is geworden, stop het gebruik dan onmiddellijk. Dit kan leiden tot een risico op oververhitting, mogelijke brandwonden en zelfs een explosie.
4. Als er elektrolyt in uw ogen komt, spoel ze dan met schoon water en raadpleeg onmiddellijk een arts. Het kan leiden tot het verlies van uw gezichtsvermogen.
5. Sluit de accu niet kort:
  - 1) Raak de contactpunten niet aan met geleidende materialen.
  - 2) Bewaar de accu niet in een doos met andere metalen voorwerpen, zoals spijkers, muntjes, etc.
  - 3) Stel de accu niet bloot aan water of regen. Kortsluiting van de accu kan leiden tot een

- grote stroomafgifte, oververhitting, mogelijke brandwonden en zelfs een defect.
6. Bewaar het gereedschap en de accu niet op plaatsen waar de temperatuur kan oplopen tot of hoger kan zijn dan 50°C(122°F)
7. Verbrand de accu niet, zelfs als de accu ernstig beschadigd of volledig versleten is. De accu kan exploderen in vuur.
8. Wees voorzichtig en laat de accu niet vallen of stoot niet te hard tegen de accu.
9. Maak geen gebruik van beschadigde accu's.
10. Om risico's te voorkomen, moet de handleiding omtrent het vervangen van de accu worden gelezen vóór gebruik. En de maximale stroomontlading van de accu moet groter dan of gelijk aan 8A zijn.
11. De meegeleverde lithium-ion-accu's zijn onderhevig aan de vereisten in de wetgeving omtrent gevaarlijke stoffen. Voor commercieel transport, bijv. door derden en transporteurs moeten speciale vereisten ten aanzien van verpakking en etikettering worden nageleefd. Voor het voorbereiden van het te verzenden artikel is het noodzakelijk een expert op het gebied van gevaarlijke stoffen te raadplegen. U moet zich daarnaast aan eventueel strengere nationale regelgeving houden. Blootliggende contactpunten moeten worden afgedekt met tape en de accu moet zodanig worden verpakt dat deze niet kan bewegen in de verpakking.
12. Volg de plaatselijke regelgeving met betrekking tot de verwijdering van accu's.
13. Gebruik de accu alleen in combinatie met de door Makita gespecificeerde producten. Als de accu wordt geïnstalleerd in een niet-conform product, kan dit leiden tot brand, extreme warmte, een explosie of het lekken van elektrolyt.

#### ⚠ LET OP:

- Ontploffingsgevaar als de accu onjuist wordt vervangen.
- Alleen vervangen door accu van hetzelfde of soortgelijk type.
- Gebruik alleen originele accu's van Makita. Het gebruik van niet-originele accu's of accu's die zijn aangepast kan ertoe leiden dat de accu barst en brand, lichamenlijk letsel of schade veroorzaakt. Het zal er bovendien toe leiden dat de garantie van Makita op het gereedschap en op oplader vervalt.

#### Tips voor het behoud van een maximale levensduur van de accu

1. Laad de accu op voordat deze volledig is ontladen. Stop altijd het gebruik van het gereedschap en laad de accu op als u merkt dat er minder vermogen is.
2. Laad nooit een volledig opgeladen accu op. Overladen verkort de levensduur van de accu.
3. Laad de accu op bij een kamertemperatuur van 10°C - 40°C (50°F - 104°F). Laat een warme accu afkoelen alvorens hem op te laden.
4. Laad de accu op als u deze niet gebruikt voor een lange periode (meer dan zes maanden).

# BEDRIJFSTIJD

\* In de onderstaande tabel vindt u een overzicht van accu's die geschikt zijn voor deze radio.

\* De volgende tabel geeft een indicatie van de gebruiksduur op een enkele lading.

Accucapaciteit	Accuspanning			BIJ LUIDSPREKERVERMOGEN = 100mW Eenheid: Uur (bij benadering)	
	10.8V – 12Vmax	14.4V	18V	In radio of AUX	Bij Bluetooth +USB-opladen
1.3 Ah		BL1415		3.5	0.7
			BL1815	4.0	1.0
1.5 Ah	BL1015 BL1016			6.0	0.8
		BL1415N BL1415NA		4.5	0.9
			BL1815N	5.0	1.2
2.0 Ah	BL1020B BL1021B			8.0	1.0
			BL1820 BL1820B	6.5	1.6
3.0 Ah		BL1430 BL1430B BL1430A		8.0	1.6
			BL1830 BL1830B	9.5	2.3
4.0 Ah	BL1040B BL1041B			16	2.1
		BL1440		13	2.5
			BL1840 BL1840B	13	3.2
5.0 Ah		BL1450		15	3.0
			BL1850 BL1850B	17	4.2
6.0 Ah		BL1460B BL1460A		17	3.3
			BL1860B	21	5.0

## WAARSCHUWING:

**Gebruik alleen de hierboven vermelde accu-cartridges. Gebruik van andere accu-cartridges kan leiden tot letsel en/of brand.**

### Opmerking:

- De tabel betreffende gebruiksduur hierboven dient ter referentie.
- De werkelijke gebruiksduur kan variëren, afhankelijk van het soort accu, de oplaadomstandigheden en de gebruiksomgeving.

# INSTALLATIE EN VOEDING

## ⚠ LET OP:

- Pas op dat uw vingers niet bekneld raken bij het openen en sluiten van het accudeksel.
- Plaats de vergrendeling van het accuvak terug in de oorspronkelijke stand na het installeren of verwijderen van de accu-cartridge. Als u dit niet doet, kan de accu-cartridge per ongeluk uit de radio vallen en letsel veroorzaken bij u of anderen in uw omgeving.
- Sluit en vergrendel het de vergrendeling van het accuvak altijd voordat u de radio verplaatst.
- Schakel de radio altijd uit alvorens de accu-cartridge te installeren of verwijderen.
- Wees voorzichtig en zorg ervoor dat u de radio niet per ongeluk laat vallen of een klap geeft. Een kapotte behuizing kan in uw vinger of lichaam snijden. Een beschadigde radio kan onvoorspelbaar gedrag vertonen en leiden tot brand, explosies en letselgevaar.

## BELANGRIJK:

- Verminderd vermogen, vervorming, "stotterend geluid" en de melding "POWERFAIL" die verschijnt op het display zijn allemaal tekenen dat de hoofdacqu moet worden vervangen.
- Als de accu bijna leeg-indicator verschijnt en de melding "EMPTY" blijft knipperen op het display, is het tijd om de back-upbatterijen te vervangen.
- De accu-cartridge kan niet worden opgeladen met de meegeleverde netadapter.
- De accu-cartridge wordt niet meegeleverd als standaardaccessoire.

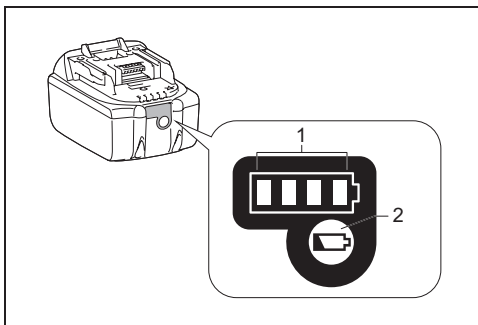
## De schuifaccu aanbrengen en verwijderen (Fig. 4 & 5)

- Om de accu aan te brengen, lijnt u de lip op de accu uit met de groef in de behuizing en duwt u de accu op zijn plaats. Steek de accu zo ver mogelijk in het gereedschap tot u een klinkgeluid hoort.
- Als u het rode deel aan de bovenkant van de knop kunt zien, is de accu niet goed aangebracht. Breng de accu zo ver mogelijk aan tot het rode deel niet meer zichtbaar is. Als u dit niet doet, kan de accu per ongeluk uit de radio vallen en letsel veroorzaken bij u of anderen in uw omgeving.
- Oefen geen grote kracht uit bij het aanbrengen van de accu. Als de accu niet gemakkelijk erin kan worden geschoven, wordt deze niet goed aangebracht.
- U kunt de accu-cartridge verwijderen door deze uit de radio te schuiven terwijl u de knop aan de voorkant van de cartridge indrukt.

## Aanduiding van de resterende acculading

\* Alleen voor accu's met een "B" aan het einde van

het modelnummer.



## ➤ 1. Indicatorlampjes 2. Controleknop

Druk op de testknop op de accu om de resterende accucapaciteit af te lezen. De indicatorlampjes branden gedurende enkele seconden.

### • 14.4V/18V-accu's

Indicatorlampjes			Resterende capaciteit
Opgelicht	Uit	Knippert	
■ ■ ■ ■			75% ~ 100%
■ ■ ■ □			50% ~ 75%
■ ■ □ □			25% ~ 50%
■ □ □ □			0% ~ 25%
▧ □ □ □			Laad de accu op
■ ■ □ □	↑ ↓	■ ■	Er heeft mogelijk een storing opgetreden in de accu

### • 10.8V-12V max accu's

Indicatorlampjes			Resterende capaciteit
Opgelicht	Uit	Knippert	
■ ■ ■ ■			75% ~ 100%
■ ■ ■ □			50% ~ 75%
■ ■ □ □			25% ~ 50%
■ □ □ □			0% ~ 25%

## OPMERKING:

Afhankelijk van de gebruiksomstandigheden en de omgevingstemperatuur kan de indicatie enigszins afwijken

van de werkelijke capaciteit.

## Installatie back-upbatterijen (Fig. 2 & 3)

Door back-upbatterijen in het daarvoor bestemde vak te plaatsen, voorkomt u dat gegevens die zijn opgeslagen in het voorkeuzendergeheugen verloren gaan.

1. Trek de vergrendeling van het accuvak naar buiten om het accuvak te ontgrendelen. Er is een vak voor de hoofddaccu en een vak voor de back-upbatterijen.
2. Verwijder het deksel van het vak voor de back-upbatterijen en plaats 2 nieuwe UM-3 (AA-formaat) batterijen. Zorg ervoor dat de batterijen in de juiste richting (polariteit) worden geplaatst, zoals getoond aan de binnenkant van het vak voor de batterijen. Plaats het deksel van het vak voor de batterijen terug.
3. Plaats, nadat de back-upbatterijen zijn geplaatst, de hoofddaccu om de radio van stroom te voorzien.

## De meegeleverde netadapter gebruiken

Verwijder de rubberen beschermer en plaats de stekker van de adapter in de DC-ingang van de rechterkant van de radio. Steek de adapter in een standaard stopcontact. Als de adapter wordt gebruikt, wordt de accu automatisch losgekoppeld.

### LET OP:

- **Trek de netadapter altijd volledig uit het stopcontact alvorens de radio te verplaatsen. Als de netadapter niet uit het stopcontact wordt getrokken, kan dit leiden tot elektrische schokken.**
- **Trek nooit aan snoer van de netadapter. Als u dit toch doet, kan de radio per ongeluk omvallen en letsel veroorzaken bij u of anderen in uw omgeving.**

### BELANGRIJK:

- De netadapter wordt gebruikt om de radio te verbinden met het lichtnet. Het stopcontact dat wordt gebruikt voor de radio moet bereikbaar blijven tijdens normaal gebruik.
- Om de radio los te koppelen van het lichtnet moet de netadapter volledig uit het stopcontact worden getrokken.
- Gebruik uitsluitend de netadapter die met het product is meegeleverd of een netadapter die voldoet aan de specificaties van Makita.
- Houd het netsnoer en de stekker niet vast met uw mond. Als u dit toch doet, kan dit leiden tot een elektrische schok.
- Raak de stekker niet aan met natte of vette handen.
- Beschadigde of verstrikte snoeren verhogen de kans op elektrische schokken. Als het netsnoer is beschadigd, laat het dan vervangen door ons erkende servicecentrum om veiligheidsgevaar te vermijden. Gebruik het netsnoer niet alvorens het te laten repareren.
- Bewaar de netadapter na gebruik altijd buiten het

bereik van kinderen. Als kinderen spelen met het netsnoer, kan dit leiden tot letsel.

### Opmerking:

Wanneer uw radio last heeft van storing op de AM-band door de adapter, plaats de radio dan verder uit de buurt van de netadapter en zorg dat de afstand tussen de adapter en de radio minimaal 30 cm is.

## Opladen met de USB-voedingspoort

Er zit een USB-poort op de voorkant van de radio. Met de USB-poort kunt u een USB-apparaat opladen.

1. Sluit het USB-apparaat, zoals een MP3-speler of CD-speler, aan met behulp van een in de winkel verkrijgbare USB-kabel.
2. Druk op de Powerknop om uw radio in te schakelen.
3. Ongeacht of de radio wordt gevoed met netstroom of door batterijen, de radio kan het USB-apparaat opladen wanneer de radio is ingeschakeld en is afgestemd op de FM-frequentieband, of in de BT-modus of AUX-modus staat, welke wordt afgebeeld wanneer de externe audiobron is aangesloten.

### Opmerking:

- U kunt geen USB-apparaten opladen in de AM-modus, omdat de radio-ontvangst tijdens het opladen van USB-apparaten zeer slecht wordt.
- Het maximumvolumeniveau van de luidspreker wordt lager wanneer uw USB-apparaat wordt opgeladen.
- De USB-poort kan een stroom van maximaal 2.4A en 5V leveren.

### Belangrijk:

- Alvorens een USB-apparaat aan te sluiten op de USB-poort, maakt u altijd eerst een reservekopie van de gegevens op het USB-apparaat. Als u dat niet doet, kunnen uw gegevens per ongeluk verloren gaan.
- Mogelijk levert de radio geen stroom aan sommige USB-apparaten.
- Als u de voedingspoort niet gebruikt en nadat het opladen klaar is, trekt u de USB-kabel eruit en sluit u de afdekking.
- Sluit geen stroombron aan op de USB-poort. Als u dat toch doet, bestaat de kans op brand. De USB-poort is alleen bedoeld voor het opladen van een laagspanningsapparaat. Plaats altijd de afdekking terug op de USB-poort wanneer geen laagspanningsapparaat wordt opgeladen.
- Steek geen spijker, draad, enz. in de USB-voedingspoort. Als u dat toch doet, kan kortsluiting leiden tot rookontwikkeling en brand.
- Sluit deze USB-poort niet aan op de USB-poort van een computer aangezien het zeer waarschijnlijk is dat hierdoor de apparaten defect raken.

# LUISTEREN NAAR DE RADIO

## Scannen AM/FM

### Opmerking:

de FM-antenne is ingebouwd in de handgreep. Wanneer u de radio gebruikt, strek de handgreep dan goed boven de radio uit om de ontvangst te verbeteren. Als u zenders op de AM-band wilt ontvangen, draai de radio dan voor het beste signaal, omdat de AM-antenne is ingebouwd in de radio.

1. Druk op de Powerknop om uw radio in te schakelen.
2. Druk op Bronknop om de AM- of FM-radiomodus te selecteren.
3. Houd de Afstemknop ingedrukt om automatisch afstemmen uit te voeren. Uw radio scant vanaf de huidige weergegeven frequentie naar hogere frequenties op de AM/FM-band en stopt automatisch met scannen wanneer er een zender met voldoende sterkte wordt gevonden.
4. Na een paar seconden wordt de weergave op het display bijgewerkt. Het display toont de frequentie van het gevonden signaal.
5. U kunt naar andere zenders zoeken door de Afstemknop, net als eerder, ingedrukt te houden.
6. Wanneer het einde van de golfband is bereikt, gaat uw radio door met afstemmen vanaf het andere uiteinde van de golfband.
7. Draai aan de Afstemknop om het volume naar wens in te stellen.

### Opmerking:

- Zorg er tijdens het instellen van het volume voor dat de letters FM/AM op het display NIET knipperen.
  - Als de letters AM/FM op het display knipperen, geef dit aan dat u handmatig moet afstemmen op zenders (zie paragraaf "Handmatig afstemmen – AM/FM" voor meer details).
  - Het volume mag niet te hoog worden ingesteld. Luister niet gedurende lange perioden met een hoog volume om mogelijke gehoorschade te voorkomen.
8. Druk op de Powerknop om uw radio uit te schakelen.

## Handmatig afstemmen – AM/FM

1. Druk op de Powerknop om uw radio in te schakelen.
2. Druk op Bronknop om de AM- of FM-radiomodus te selecteren.
3. Druk op de Afstemknop en u ziet dat FM of AM knippert op het display.

### Opmerking:

- FM/AM knippert ca. 10 seconden. Binnen deze periode is alleen handmatig afstemmen toegestaan.
- Als u het volume wilt instellen terwijl FM/AM knippert, druk dan op de Afstemknop om het knipperen te stoppen en draai vervolgens aan de Afstemknop om het volume in te stellen.

4. Draai aan de Afstemknop om af te stemmen op een zender.
5. Wanneer het einde van de golfband is bereikt, gaat uw radio door met afstemmen vanaf het andere uiteinde van de golfband.
6. Draai aan de Afstemknop om het volume naar wens in te stellen.

## Voorkeuzenders instellen in de AM/FM-modus

Er zijn 5 voorkeuzenders voor zowel AM- als FM-radio. Ze worden op dezelfde manier gebruikt voor de beide golfbanden.

1. Druk op de Powerknop om uw radio in te schakelen.
2. Druk op de Bronknop om de gewenste golfband te selecteren. Stem zoals eerder beschreven af op de gewenste radiozender.
3. Houd de knop van de gewenste voorkeuzender (1 tot 5) ingedrukt tot het display na de frequentie bijvoorbeeld "P4" weergeeft. De zender wordt opgeslagen met behulp van het voorkeuzendernummer. Herhaal deze procedure indien gewenst voor de resterende voorkeuzenders.
4. Voorkeuzenders die al zijn opgeslagen kunnen indien nodig worden overschreven door de bovenstaande procedure te volgen.

## Weergavemodi – FM

Uw radio beschikt over een reeks weergaveopties in de FM-radiomodus.

Druk herhaaldelijk op de Menu/Info-knop om de RDS-informatie van de huidige zender te bekijken.

- |                  |   |
|------------------|---|
| a. Zendernaam    | Geeft de naam van de huidige zender weer.   |
| b. Programmatype | Geeft het type van de huidige zender weer, bijvoorbeeld Pop, Klassiek, Nieuws, etc. |
| c. Radiotekst    | Geeft radiotekstberichten weer, zoals nieuwsitems, etc.                             |
| d. Jaar/Dag      | Geeft het jaar en de dag van de week weer volgens de datuminstelling van uw radio.  |
| e. Datum/Dag     | Geeft de datum en dag van de week weer volgens de datuminstelling van uw radio.     |
| f. EQ-modus      | Geeft de EQ-modus van de huidige FM-zender weer.                                    |
| g. Frequentie    | Geeft de frequentie van de huidige FM-zender weer.                                  |

## FM-stereo (auto)/mono

Als de FM-zender die u beluistert een zwak signaal heeft, dan kan er wat ruis hoorbaar zijn. Het is mogelijk deze ruis te verminderen door de radio te forceren de zender in

mono af te spelen in plaats van stereo.

1. Druk op de Bronknoop om de FM-band te selecteren en stem zoals eerder beschreven af op de gewenste FM-zender.
2. Houd de Menu/Info-knoop ingedrukt om het menu te openen.
3. Draai aan de Afstemknoop tot de instelling "FM AUTO (of MONO)" wordt weergegeven op het display. Als de instelling op Auto is ingesteld, druk dan op de Afstemknoop en draai vervolgens aan de Afstemknoop om over te schakelen naar de Mono-modes en de ruis te verminderen. Druk op de Afstemknoop om de optie te selecteren.

### Een voorkeuzender oproepen in de AM/FM-modus

1. Druk op de Powerknoop om uw radio in te schakelen.
2. Druk op de Bronknoop om de AM- of FM-radiomodus te selecteren.
3. Druk kort op de knop van de gewenste voorkeuzender om af te stemmen op de voorkeuzender die is opgeslagen in het voorkeuzendergeheugen.

## DIVERSE INSTELLINGEN

### De tijd- en datumnotatie instellen

U kunt zelf de gewenste tijd- en datumnotatie selecteren die wordt gebruikt in de stand-bymodus en op de schermen van de afspeelmodus. De geselecteerde notatie wordt daarna ook gebruikt bij het instellen van de alarmen.

1. Houd de Menu/Info-knoop ingedrukt om het menu te openen.
2. Draai aan de Afstemknoop tot "CLOCK xxH" verschijnt op het display en druk op de Afstemknoop om de instelling te openen. De tijdnotatie begint te knipperen.
3. Draai aan de Afstemknoop om de 12- of 24-uursnotatie te selecteren. Druk op de Afstemknoop om de gekozen tijdnotatie te bevestigen.

#### Opmerking:

als u voor de 12-uursnotatie kiest, dan gebruikt de radio de 12-uursklok voor het instellen.

4. Houd de Menu/Info-knoop ingedrukt om het menu te openen.
5. Draai aan de Afstemknoop tot er een datum (bijv. THU APR 3) verschijnt op het display en druk op de Afstemknoop om de instelling te openen. De datumnotatie begint te knipperen.
6. Draai aan de Afstemknoop om de gewenste datumnotatie te selecteren. Druk op de Afstemknoop om uw keuze te bevestigen.

### De tijd en datum instellen

1. Houd de Menu/Info-knoop ingedrukt.

2. Draai aan de Afstemknoop tot "CLOCK ADJ" verschijnt op het display. Druk op de Afstemknoop om de instelling te openen.
3. De uurinstelling begint te knipperen op het display. Draai aan de Afstemknoop om het gewenste uur te selecteren en druk op de Afstemknoop om de instelling te bevestigen. Draai vervolgens aan de Afstemknoop om het gewenste aantal minuten te selecteren en druk daarna ter bevestiging op de Afstemknoop.
4. Draai aan de Afstemknoop tot "DATE ADJ" verschijnt op het display. Druk op de Afstemknoop om de instelling te openen.
5. Draai aan de Afstemknoop om het gewenste jaar te selecteren en druk op de Afstemknoop om de instelling te bevestigen. Draai vervolgens aan de Afstemknoop om de gewenste maand te selecteren en druk op de Afstemknoop om de instelling te bevestigen. Draai tot slot aan de Afstemknoop om de gewenste dag te selecteren en druk op de Afstemknoop om de instelling te bevestigen.

### Radio Data System (RDS)

Als u de tijd instelt met behulp van de RDS-functie, dan synchroniseert uw radio de tijd telkens wanneer de radio afstemt op een radiozender die gebruik maakt van RDS met CT-signalen.

1. Als u afstemt op een zender die RDS-gegevens verzendt, wordt het RDS-symbool weergegeven op het display. Houd de Menu/Info-knoop ingedrukt.
2. Draai aan de Afstemknoop tot "RDS CT" en een kloksymbool verschijnen op het display. Druk op de Afstemknoop om de instelling te openen.
3. Draai aan de Afstemknoop tot "RDS CT" verschijnt op het display. Druk op de Afstemknoop om de instelling te bevestigen. De tijd van de radio wordt nu automatisch ingesteld op basis van de ontvangen RDS-gegevens.

#### Opmerkingen:

- Telkens wanneer de tijd wordt gesynchroniseerd met RDS CT is de tijd op de radio 5 dagen geldig.
- Als u de RDS CT-functie wilt uitschakelen, ga dan terug naar stap 1/2 en draai vervolgens aan de Afstemknoop om de optie "MANUAL" te selecteren. Druk op de Afstemknoop om de instelling te bevestigen.

### De wekker instellen

Uw radio beschikt over twee alarmen die elk kunnen worden ingesteld om u te wekken met AM/FM-radio of met het zoemalarm. De alarmen kunnen worden ingesteld als de radio in de stand-bymodus staat of tijdens het afspeelen.

#### Opmerking:

zorg ervoor dat de tijd juist is ingesteld voordat u de alarmen instelt. Als er gedurende 10 seconden geen knoppen worden ingedrukt, verlaat de radio het instellen

van de alarmen.

#### **a. De alarmtijd van het radioalarm instellen:**

1. De radio kan worden ingesteld wanneer de radio is ingeschakeld of uitgeschakeld.
2. Houd de Radioalarm-knop ingedrukt, het radioalarmsymbool en het uur knippen op het display en u hoort een pieptoon.
3. Draai, terwijl het radioalarmsymbool knippert, aan de Afstemknop om het uur te selecteren en druk nogmaals op de Afstemknop om de uurinstelling te bevestigen. Draai vervolgens aan de Afstemknop om de minuten te selecteren en druk op de Afstemknop om de minuutinstelling te bevestigen.
4. Draai aan de Afstemknop en het display toont de opties voor de alarmfrequentie.  
U kunt kiezen uit de volgende alarmfrequenties:  
ONCE – het alarm gaat eenmaal af  
DAILY – het alarm gaat elke dag af  
WEEKDAY – het alarm gaat alleen op weekdays af  
WEEKEND – het alarm gaat alleen in het weekend af  
Druk op de Afstemknop om de instelling te bevestigen.
5. Draai, terwijl het radioalarmsymbool knippert, aan de Afstemknop om de gewenste golfband en zender voor het wekken te selecteren en druk vervolgens op de Afstemknop om uw keuze te bevestigen.
6. Draai aan de Afstemknop om het gewenste volume te selecteren en druk op de Afstemknop om het volume te bevestigen. Het instellen van het radioalarm is nu voltooid.

#### **Opmerking:**

- Als er geen nieuwe zender voor het radioalarm wordt geselecteerd, dan selecteert de radio de zender die het laatst werd gebruikt voor het radioalarm.
- Als de geselecteerde AM/FM-zender niet beschikbaar is wanneer het alarm afgaat, dan wordt in plaats daarvan het zoemeralarm gebruikt.

#### **b. Het HWS-zoemeralarm (Humane Wake System) instellen:**

Als u het HWS-zoemeralarm selecteert, zal er op de alarmtijd een pieptoon worden geactiveerd.

De pieptoon van het alarm wordt elke 15 seconden korter en wordt gevolgd door een minuut stilte. Daarna wordt deze cyclus herhaald.

1. Het zoemeralarm kan worden ingesteld wanneer de radio is ingeschakeld of uitgeschakeld.
2. Houd de Zoemeralarm-knop ingedrukt, het symbool en het uur knippen op het display en u hoort een pieptoon.
3. Draai, terwijl het zoemeralarmsymbool knippert, aan de Afstemknop om het uur te selecteren en druk nogmaals op de Afstemknop om de uurinstelling te bevestigen. Draai vervolgens aan de Afstemknop om de minuten te selecteren en druk op de Afstemknop om de minuutinstelling te bevestigen.

4. Draai aan de Afstemknop en het display toont de opties voor de alarmfrequentie.

UNA VOLTA: la sveglia suonerà una sola volta  
OGNI GIORNO: la sveglia suonerà ogni giorno  
WEEKDAY: la sveglia suonerà solo nei giorni feriali  
WEEK END: la sveglia suonerà solo nei fine settimana  
Premi la manopola di controllo della sintonia per confermare l'impostazione.

#### **Opmerking:**

U kunt het volume van het zoemeralarm niet instellen.

### **Het alarmgeluid stoppen**

U kunt een alarm dat afgaat annuleren door op de Powerknop te drukken.

### **De alarminstelling uitschakelen**

Als u de alarminstelling wilt uitschakelen voordat het alarm afgaat, houd de alarmknop van het bijbehorende alarm dan ingedrukt tot het alarmsymbool niet langer wordt getoond op het display.

### **Sluimermodus**

1. Druk wanneer het alarm afgaat op een willekeurige knop, behalve de Powerknop, om het alarm voor 5 minuten te dempen. De melding "SNOOZE" verschijnt op het display.
2. U kunt de demptijd van de sluimertimer aanpassen door de Menu/Info-knop ingedrukt te houden om het menu te openen.
3. Draai aan de Afstemknop tot "SNOOZE X" verschijnt op het display en druk vervolgens op de Afstemknop om de instelling te openen. Draai aan de Afstemknop om de demptijd van de sluimertimer in te stellen op 5, 10, 15 of 20 minuten.
4. Als u de sluimertimer wilt annuleren terwijl het alarm is gedempt, druk dan op de Powerknop.

### **Slaaptimer**

Uw radio kan worden ingesteld om automatisch uit te schakelen nadat een vooraf ingestelde tijd is verstreken. De slaaptimer kan worden ingesteld op 60, 45, 30, 15, 120 of 90 minuten.

1. Houd de Powerknop ingedrukt om de instelling van de slaaptimer te openen. De melding "SLEEP XX" verschijnt op het display.
2. Blijf de Powerknop ingedrukt houden en de instelling van de slaaptimer begint te veranderen op het display. Laat de knop los wanneer de gewenste instelling van de slaaptimer verschijnt op het display. De instelling wordt opgeslagen en het display keert terug naar de normale weergave.
3. Uw radio schakelt automatisch uit nadat de vooraf ingestelde slaaptimer is verstreken. Het slaaptimerpictogram wordt getoond op het display om



aan te geven dat de slaaptimer actief is.

- Als u de slaaptimerfunctie wilt annuleren voordat de vooraf ingestelde tijd is verstreken, druk dan simpelweg op de Powerknop om de radio handmatig uit te schakelen.

## Loudness

U kunt met uw radio compensatie op lagere en hogere frequenties krijgen door de loudness-functie in te stellen.

- Houd de Menu/Info-knop ingedrukt om het menu te openen.
- Draai aan de Afstemknop tot "LOUD ON" of "LOUD OFF" op het display verschijnt. Druk op de Afstemknop om de instelling te openen.
- Draai aan de Afstemknop om ON te selecteren en de loudness-functie in te schakelen en druk vervolgens op de Afstemknop om de instelling te bevestigen.
- Als u de loudness-functie uit wilt schakelen, selecteer dan OFF en druk vervolgens op de Afstemknop om de instelling te bevestigen.

## Equalizerfunctie

Er zitten 7 led-indicatielampjes met verschillende kleuren rond de Afstemknop om de verschillende EQ-modi aan te geven.

- Druk op de Powerknop om uw radio in te schakelen.
- Druk op de EQ-knop om het EQ-instellingenmenu te openen.
- Draai aan de Afstemknop om de gewenste modus te selecteren. Druk vervolgens op de Afstemknop om uw keuze te bevestigen.

EQ-modus	LED-indicatielampje
PLAT	Wit
JAZZ	Blauw
ROCK	Rood
KLASSIEK	Bruin
POP	Roze
NIEUWS	Geel
PERSOONLIJKE EQ	Groen

## Uw persoonlijke EQ-profiel instellen

- Druk op de EQ-knop om het EQ-instellingenmenu te openen.
- Draai aan de Afstemknop om "MY EQ" te selecteren en druk vervolgens op de Afstemknop om de instelling "BASS" te openen.
- Draai aan de Afstemknop om het gewenste niveau van de lage tonen (bass) te selecteren en druk op de Afstemknop om de instelling "MIDDLE" te openen.
- Draai aan de Afstemknop om het gewenste niveau van de middentonen te selecteren en druk op de Afstemknop om de instelling "TREBLE" te openen.
- Draai aan de Afstemknop om het gewenste niveau van de hoge tonen (treble) te selecteren en druk op de

Afstemknop om de instelling te bevestigen.

### Opmerking:

- Wanneer de equalizer wordt gebruikt om de hoge tonen (bass) te benadrukken en u luistert met een hoog volume, kan dit leiden tot een krakende en vervormde geluidswaergave. Stel het volume van de radio in dit geval op een geschikt niveau in.

## LUISTEREN NAAR MUZIEK VIA BLUETOOTH-STREAMING

U moet uw Bluetooth-apparaat koppelen met de radio voordat u automatisch verbinding kunt maken en Bluetooth-muziek kunt afspelen/streamen via de radio. Koppelen creëert een 'band', zodat twee apparaten elkaar kunnen herkennen.

### Opmerking:

- Voor een betere geluidskwaliteit raden we aan het volume op uw Bluetooth-apparaat op minimaal tweederde van het maximale niveau in te stellen en daarna de volumeregeling van de radio te gebruiken om het volume naar wens in te stellen.
- Uw radio kan tot acht verschillende gekoppelde apparaten onthouden. Wanneer daarna een nieuw apparaat gekoppeld zal worden zal de oudst bekende koppeling overschreven worden.

## Uw Bluetooth-apparaat voor het eerst koppelen met de radio

- Druk op de Powerknop om uw radio in te schakelen. Druk op de Bronknop om de Bluetooth-modus te selecteren. Het display toont de melding "BT PAIR" en "PAIR" knippert op het display.
- Activeer de Bluetooth® op uw apparaat, zie hiervoor de handleiding van uw apparaat. Zoek naar beschikbare apparaten voor koppeling. Uw radio zal zich melden als "DMR114." (op uw apparaat. Indien uw apparaat over een oudere versie van Bluetooth® beschikt dan versie BT2.1, is het mogelijk dat uw apparaat vraagt om een wachtwoord. Voer dan "0000" in).
- Zodra de apparaten zijn verbonden, hoort u een bevestigingstoon. "BLUETOOTH" blijft op het display staan en de achtergrondverlichting wordt na 10 seconden gedimd. U kunt nu muziek selecteren en afspelen vanaf uw bronapparaat. Het volume kan worden ingesteld op uw bronapparaat of rechtstreeks op de radio.
- Gebruik de bediening op uw apparaat of op de radio om de door u gewenste muziek te kiezen.

### Opmerking:

- Als er voor de eerste keer wordt gekoppeld en er 2 Bluetooth-apparaten naar uw radio zoeken, dan wordt de radio op beide apparaten als beschikbaar getoond. Als er echter één apparaat verbinding maakt met de

radio, zal het andere Bluetooth-apparaat de radio niet meer vinden in de lijst.

- Als uw Bluetooth-apparaat tijdelijk de verbinding met de radio verliest, dan moet u handmatig de verbinding tussen uw apparaat en de radio
- Als "DMR114" wordt getoond in uw Bluetooth-apparaatlijst, maar uw Bluetooth-apparaat geen verbinding kan maken met de radio, verwijder het item dan uit uw lijst en koppel nogmaals met de radio door de hierboven beschreven stappen te volgen.
- Het optimale Bluetooth-streambereik is ongeveer 10 meter (30 voet) (zichtlijn) naar de radio, maar afstanden tot 30 meter (100 voet) zijn mogelijk.
- Het is mogelijk dat u opnieuw verbinding moet maken indien de Bluetooth-verbinding wordt verbroken door het overschrijden van de scheidingstijd, het overschrijden van de optimale afstand, obstakels of vanwege andere redenen.
- Fysieke obstakels, andere draadloze apparaten of elektromagnetische apparaten kunnen de verbinding kwaliteit beïnvloeden.
- Bluetooth® verbindingen prestaties kunnen variëren afhankelijk van de verbonden apparaten. Raadpleeg de Bluetooth® mogelijkheden van uw apparaat voordat u deze aansluit op uw radio. Voor sommige verbonden Bluetooth® apparaten kan het zijn dat niet alle functies ondersteund worden.

### Het afspelen van geluidsbestanden in de Bluetooth® modus

Indien de verbinding tussen de radio en uw Bluetooth® apparaat succesvol tot stand gebracht is, kunt u de muziek van uw apparaat afspelen door middel van de bedieningstoetsen op uw verbonden apparaat.

1. Stel het volume, zodra het afspelen is gestart, naar wens in met behulp van de volumeknoppen op uw radio of op uw Bluetooth-apparaat.
2. Gebruik de bedieningselementen op uw Bluetooth-bronapparaat voor het afspelen/pauzeren van tracks en naar de volgende/vorige track te gaan. Als alternatief kunt u het afspelen ook bedienen met behulp van de knoppen Afspelen/Pauzeren, Volgende track, Vorige track op uw radio.
3. Houd de knop Volgende track of Vorige track ingedrukt om vooruit of terug te spoelen in de huidige track. Laat de knop los wanneer het gewenste punt binnen de track is bereikt.

#### Opmerking:

- Sommige afspeelapplicaties of apparaten reageren mogelijk niet op al deze bedieningselementen.
- Sommige mobiele telefoons kunnen de verbinding met de radio verbreken wanneer er oproepen worden gemaakt of ontvangen. Sommige apparaten kunnen

het geluid van de Bluetooth-audiostream tijdelijk uitschakelen wanneer er sms'jes of emails worden ontvangen of omwille van andere redenen die niets met het streamen van audio te maken hebben. Dergelijk gedrag is een functie van het Bluetooth-apparaat en duidt niet op een fout met uw radio.

### Afspelen met een eerder gekoppeld Bluetooth-apparaat

Als uw Bluetooth® apparaat al eerder gekoppeld was met de radio, dan zal de radio dit herkennen, en gewoon verbinden met dit apparaat. Als deze verbinding niet zal slagen, zal de radio in detectie modus schakelen.

### Loskoppelen van uw Bluetooth apparaat

Houd de Bluetooth-knop 2-3 seconden ingedrukt tot "BT PAIR" wordt weergegeven op het display of schakel Bluetooth uit op uw Bluetooth-apparaat om de verbinding te verbreken.

U kunt om de verbinding te verbreken ook op de Bronknop drukken om een modus anders dan de Bluetooth-modus te selecteren.

### Gekoppelde Bluetooth-apparaten uit het geheugen verwijderen

Als u alle gekoppelde apparaten uit het geheugen wilt verwijderen, houd de Bluetooth-knop dan langer dan 5 seconden ingedrukt totdat de melding "CLEARING" wordt weergegeven op het display.

## AUX-INGANG

Aan de voorkant van uw radio zit een 3,5 mm aux-ingang waarmee de radio een audiosignaal van een extern audioapparaat kan ontvangen (bijv. een mp3- of cd-speler).

1. Sluit een externe audiobron (bijvoorbeeld mp3- of cd-speler) aan op de AUX-INGANG.
2. Druk op de Powerknop om uw radio in te schakelen.
3. Druk herhaaldelijk op de Bronknop tot "AUX IN" wordt weergegeven.
4. Voor de beste geluidskwaliteit wordt aanbevolen het volume op uw audioapparaat te verhogen tot meer dan tweederde van het maximale niveau en daarna het volume op de radio naar wens in te stellen.

#### OPMERKING:

Audiokabel wordt niet meegeleverd als standaardaccessoire.

## ONDERHOUD

#### ⚠ LET OP:

- Gebruik nooit benzine, wasbenzine, thinner, alcohol, enz. Dit kan leiden tot verkleuren, vervormen of barsten.
- Was de radio niet met water.

# TECHNISCHE GEGEVENS

Voedingsvereisten	
Netspanningsadapter	12V DC 2.5A, middenpen positief
Batterij	UM-3 (AA-formaat) x2 voor back-up Schuifaccu: 10,8V – 18V
Frequentiebereik	FM 87.50-108 MHz (0,05 MHz/stap) AM(MW) 522-1,710 kHz (9 kHz/stap)

Bluetooth®	
(Het Bluetooth®-woordmerk en -logo's zijn gedeponeerde handelsmerken in eigendom van Bluetooth SIG, Inc.)	
Bluetooth-versie	5.0 gecertificeerd
Bluetooth-profielen	A2DP/SCMS-T/AVRCP
Zendvermogen	Vermogensklasse 2
Zendbereik	Optimaal: Max. 10 meter (33 voet) Mogelijk: Max. 30 meter (100 voet) (varieert afhankelijk van gebruiksomstandigheden)
Ondersteunde codec	SBC
Compatibel Bluetooth-profiel	A2DP/AVRCP
Maximaal radiofrequentievermogen:	BT EDR: 3.91dBm
Bedrijfsfrequentie	2402MHz~2480MHz

Circuitfunctie	
Luidspreker	2.5 inch, 8 ohm x2 4 inch, 6 ohm x1
Uitgangsvermogen	10.8V-12Vmax: 2W x2 +10W 14.4V: 3W x2 +15W 18V: 5W x2 + 25W
Ingangsaansluiting	Diameter 3,5 mm (AUX IN)
Antennesysteem	FM: ingebouwde antenne AM: staafantenne
Afmetingen (l x b x h)	268 x 164 x 295 mm
Gewicht	4.9 KG (zonder accu)

# ESPAÑOL

## (Instrucciones originales)



Solo para países de la UE.

No se deshaga del equipo eléctrico o del paquete de baterías junto con la basura doméstica. De acuerdo con las directivas europeas sobre Residuos de Aparatos y Baterías y Acumuladores Eléctricos y Electrónicos y sobre Residuos de Baterías y Acumuladores y su aplicación conforme las legislaciones nacionales, las baterías y los paquetes de baterías que lleguen al final de su vida útil deben ser recolectados por separado y devueltos a una instalación de reciclaje compatible con el medio ambiente.

## EXPLICACIÓN DE LA VISTA GENERAL (Fig. 1)

1. Antena integrada (AM)
2. Asa/antena integrada (FM)
3. Compartimiento de las baterías
4. Cubierta del compartimiento de la batería (que cubre la batería)
5. Altavoz
6. Toma de entrada de CC
7. Subwoofer
8. Botón de encendido/apagado automático
9. Botón de fuente
10. Botón de alarma de radio
11. Botón de alarma de zumbador
12. Botón de presintonía 3/reproducir/pausar
13. Botón de presintonía 5
14. Botón de presintonía 4/siguiente pista
15. Control de volumen/sintonización/selección
16. Botón de control del ecualizador
17. Toma de entrada auxiliar
18. Puerto de alimentación USB
19. Botón de menú/información
20. Indicador LED del modo del ecualizador
21. Botón de presintonía 2/pista anterior
22. Botón de presintonía 1/vinculación Bluetooth
23. Pantalla LCD
24. Compartimiento de la batería
25. Compartimiento de las baterías de respaldo

## PANTALLA LCD

- A. Alarma de radio
- B. Alarma de zumbador
- C. Símbolo de estéreo
- D. Indicador de batería baja
- E. Reloj
- F. Frecuencia
- G. RDS (Radio data system)
- H. Icono del apagado automático
- I. P. M. para el reloj

## SÍMBOLOS

Qui di seguito vengono descritti i simboli usati per l'apparecchio, il cui significato va compreso prima dell'uso.



Lo siguiente muestra los símbolos usados por el equipo. Asegúrese de que entienda su significado, antes de usar el equipo.

## INSTRUCCIONES IMPORTANTES DE SEGURIDAD

### ADVERTENCIA:

Cuando utilice herramientas eléctricas, para reducir el riesgo de incendio, descarga eléctrica y lesiones personales, siga siempre las precauciones básicas de seguridad, incluyendo lo siguiente:

1. Lea el manual de instrucciones y el manual de instrucciones del cargador detenidamente antes de usarlos.
2. Limpie el equipo solo con un paño seco.
3. No instale cerca de fuentes de calor, como radiadores, estufas, fuegos de cocina u otros aparatos (incluyendo amplificadores) que produzcan calor.
4. Utilice únicamente accesorios especificados por el fabricante.
5. Desenchufe este aparato durante las tormentas o cuando no vaya a usarlo por un periodo prolongado.
6. Una radio a batería con baterías integrales o un paquete de baterías independiente se debe recargar solamente con el cargador especificado para la batería. Un cargador que puede ser adecuado para un tipo de batería puede crear un riesgo de incendio cuando se usa con otra batería.
7. Utilice la radio a batería únicamente con los paquetes de batería designados específicamente. El uso de cualquier otra batería puede crear un riesgo de incendio.
8. Cuando la batería no esté en uso, manténgala alejada de otros objetos metálicos como: clips, monedas, llaves, clavos, tornillos u otros objetos metálicos pequeños que pudieran crear conexiones de un terminal a otro. El contacto entre sí de los terminales de las baterías puede provocar chispas, quemaduras o fuego.
9. Evite contacto corporal con superficies conectadas a tierra como tuberías, radiadores, estufas y refrigeradores. Hay un incremento del riesgo de descarga eléctrica si su cuerpo está conectado a tierra.
10. En condiciones abusivas, puede que de la batería se expulse líquido, evite el contacto. Si de forma accidental entra en contacto con el líquido, enjuague con agua. Si el líquido entrase en contacto con los ojos, busque ayuda médica. El líquido expulsado de

la batería puede causar irritación o quemaduras.

11. No use una batería o una herramienta dañada o modificada. Las baterías dañadas o modificadas pueden presentar un comportamiento impredecible causando incendios, explosiones y riesgos de lesiones.
12. No exponga la batería o herramienta al fuego o a temperaturas excesivas. La exposición al fuego o a temperaturas mayores que 130 °C(266°F) podrían causar una explosión.
13. Siga todas las instrucciones de carga y no cargue la batería o la herramienta fuera del rango de temperatura especificado en las instrucciones. Cargar incorrectamente o a temperaturas fuera del rango especificado podrían dañar la batería e incrementar el riesgo de fuego.
14. El enchufe principal de la red eléctrica se utiliza como dispositivo de desconexión, y debe estar siempre disponible.
15. No use este producto a volumen alto durante un periodo prolongado. Para evitar daños auditivos, use este producto a un nivel de volumen moderado.
16. (Solo para productos con pantalla LCD) Las pantallas LCD incluyen líquidos que pueden causar irritación y envenenamiento. Si el líquido entrase en contacto con los ojos, boca o piel, enjuague con agua y llame a un médico.
17. No exponga el producto a condiciones de lluvia o humedad. El agua que entre al producto incrementará el riesgo de descarga eléctrica.
18. Este aparato no es apto para su uso por personas (niños incluidos) con las capacidades físicas, sensoriales o mentales disminuidas, o por personas que carezcan de experiencia y conocimiento, a no ser que alguien que sea responsable de su seguridad, les esté supervisando o les explique cómo deben usar el aparato. Los niños deben ser supervisados para asegurarse de que no jueguen con el producto. Guarde el producto lejos del alcance de los niños.

## GUARDE ESTAS INSTRUCCIONES

### REGLAS ESPECÍFICAS DE SEGURIDAD PARA EL CARTUCHO DE BATERÍA

1. Antes de utilizar el cartucho de batería, lea todas las instrucciones y advertencias en (1) el cargador de la batería, (2) la baterías, (3) el producto que usa la batería.
2. No desmonte el cartucho de batería.
3. Si el tiempo de funcionamiento se ha vuelto excesivamente corto, pare inmediatamente. Puede haber riesgo de sobrecalentamiento, posibles quemaduras o incluso una explosión.
4. Si el electrolito entra en contacto con los ojos, lávelos con agua limpia y busque atención médica de inmediato. Podría dar como resultado la pérdida de visión.
5. No haga un cortocircuito con el cartucho de batería.
  - 1) No toque los terminales con un material conductor.
  - 2) Evite almacenar el cartucho de batería en

recipientes con otros objetos metálicos como clavos, monedas, etc.

- 3) No exponga la batería al agua o lluvia. Un cortocircuito en la batería puede producir un gran flujo, sobrecalentamiento, posibles quemaduras e incluso una avería.
6. No guarde la herramienta ni el cartucho de batería en lugares donde la temperatura pueda llegar a o superar los 50°C (122°F).
7. No incinere el cartucho de batería incluso si está muy dañado o completamente desgastado. El cartucho de batería podría explotar en el fuego.
8. Tenga cuidado de no dejar caer o golpear la batería.
9. No use una batería dañada.
10. Para evitar riesgos, lea antes de su uso el manual de la batería reemplazable. Y la corriente máxima de descarga de la batería debe ser igual o mayor a 8 A..
11. Las baterías de iones de litio están sujetas a los requisitos de la Legislación de mercancías peligrosas. Para su transporte comercial, como por ejemplo por terceros o transportistas, deben respetarse los requisitos especiales del embalaje y etiquetado. Para la preparación del artículo para su envío, se requiere consultar a un experto en materiales peligrosos. Acate también las, posiblemente más detalladas, regulaciones nacionales. Cubra los contactos abiertos y empaquete la batería de tal manera que no se pueda mover en el embalaje.
12. Siga las regulaciones locales en lo relacionado a la eliminación de baterías.
13. Use las baterías solo con los productos especificados por Makita. La instalación de las baterías con productos no conformes podría resultar en un incendio, calor excesivo, explosión o fuga de electrolitos.

#### **⚠ PRECAUCIÓN:**

- **Peligro de explosión si la batería se coloca incorrectamente.**
- **Reemplace solo con una del mismo tipo o uno equivalente.**
- **Use solo baterías originales Makita. El uso de baterías Makita no originales o de baterías que hayan sido alteradas podría provocar la explosión de la batería causando incendios, lesiones personales y daños. También anulará la garantía de Makita para la herramienta de Makita y el cargador.**

### Consejos para mantener al máximo la vida útil de la batería

1. Cargue el cartucho de batería antes de que se descargue completamente. Deje de usar la herramienta y cargue la batería cuando note que la batería tiene menos potencia.
2. Nunca cargue un cartucho de batería que esté totalmente cargado. La sobrecarga reduce la vida útil de la batería.
3. Cargue el cartucho de batería con una temperatura ambiente de entre 10 y 40 grados centígrados (50 °F- 104 °F). Antes de cargarla, deje que una batería que esté caliente se enfríe.
4. Cargue el cartucho de batería si no lo usa durante un largo periodo de tiempo (más de seis meses).

## TIEMPO DE FUNCIONAMIENTO

\* Las baterías adecuadas para esta radio se enumeran en la siguiente tabla.

\* La siguiente tabla indica el tiempo de uso con una sola carga.

Capacidad de la batería	Tensión del cartucho de batería			CON LA SALIDA DEL ALTAVOZ = 100 mW Unidad: hora (aproximadamente)	
	10.8V – 12Vmáx	14.4V	18V	En radio o AUX	En Bluetooth + carga USB
1.3 Ah		BL1415		3.5	0.7
			BL1815	4.0	1.0
1.5 Ah	BL1015 BL1016			6.0	0.8
		BL1415N BL1415NA		4.5	0.9
			BL1815N	5.0	1.2
2.0 Ah	BL1020B BL1021B			8.0	1.0
			BL1820 BL1820B	6.5	1.6
3.0 Ah		BL1430 BL1430B BL1430A		8.0	1.6
			BL1830 BL1830B	9.5	2.3
4.0 Ah	BL1040B BL1041B			16	2.1
		BL1440		13	2.5
			BL1840 BL1840B	13	3.2
5.0 Ah		BL1450		15	3.0
			BL1850 BL1850B	17	4.2
6.0 Ah		BL1460B BL1460A		17	3.3
			BL1860B	21	5.0

### ADVERTENCIA:

**Solo use las baterías indicadas anteriormente. El uso de cualquier otra batería podría causar lesiones o fuego.**

#### Nota:

- La tabla sobre el tiempo de funcionamiento de la batería es para referencia.
- El tiempo de funcionamiento real puede diferir según el tipo de batería, condiciones de carga o entorno de uso.

# INSTALACIÓN Y ALIMENTACIÓN

## ⚠ PRECAUCIÓN:

- Tenga cuidado de no pellizcarse los dedos al abrir y cerrar la tapa de la batería.
- Tras instalar o retirar la batería, devuelva el compartimento de la batería a su posición inicial. De lo contrario la batería podría caerse accidentalmente de la radio y causar lesiones a usted o a gente a su alrededor.
- Antes de mover la radio cierre y boquee siempre el compartimento de la batería.
- Antes de instalar o retirar la batería, apague siempre la radio.
- Tenga cuidado de no dejar caer o golpear la radio. Una carcasa rota podría cortarles los dedos o clavarse en su cuerpo. Una radio dañada puede tener un comportamiento impredecible que podría resultar en fuego, explosiones o riesgo de lesiones.

## IMPORTANTE:

- Potencia reducida, distorsión, sonido con "tartamudez" o que aparezcan en pantalla tanto el indicador de batería baja como "POWERFAIL", son señales de que la batería principal necesita ser reemplazada.
- Cuando aparece el indicador de batería y "EMPTY" parpadea continuamente, es el momento de reemplazar las baterías de respaldo.
- La batería no puede cargarse mediante el adaptador de alimentación de CA suministrado.
- La batería no se incluye como accesorio estándar.

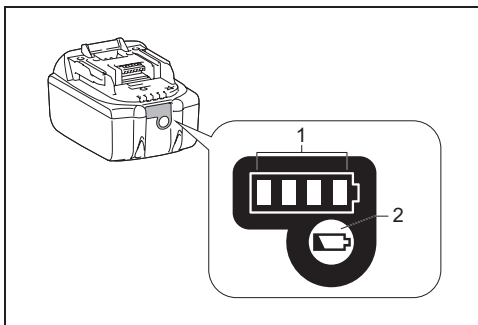
## Instalación o extracción del cartucho de la batería deslizante (Fig. 4 y 5)

- Para instalar el cartucho de la batería, alinee la lengüeta situada en el cartucho de la batería con la ranura del chasis e insértelo. Insértelo completamente hasta que quede firmemente encajado con un clic.
- Si puede ver el indicador rojo de la zona superior del botón, significa que el cartucho no está encajado completamente. Instálelo completamente hasta que el indicador rojo no esté visible. De lo contrario, el cartucho puede desprenderse accidentalmente de la radio y causar lesiones al operario o a alguna persona que se encuentre cerca.
- No haga fuerza al insertar el cartucho de la batería. Si el cartucho no entra con suavidad, significa que no lo está instalando correctamente.
- Para retirar la batería, deslícela de la radio mientras desliza el botón en la parte frontal de la radio.

## Indicación de la capacidad restante de la batería

\* Solo para cartuchos de la batería con "B" al final del

número de modelo.



➤ 1. Luces indicadoras 2. Botón de comprobación  
Pulse el botón de comprobación del cartucho de la batería para indicar la capacidad restante de la batería. Las luces indicadoras se encienden durante unos segundos.

### • Baterías 14,4 V/18V

Luces indicadoras			Capacidad restante
Iluminado	Apagado	Parpadeando	
■	□	▧	75% ~ 100%
■	■	■	50% ~ 75%
■	■	□	25% ~ 50%
■	□	□	0% ~ 25%
▧	□	□	Cargue la batería
■	■	□	La batería puede haber funcionado mal
□	□	■	

### • Baterías 10,8 V-12 V máx.

Luces indicadoras			Capacidad restante
Iluminado	Apagado	Parpadeando	
■	□	▧	75% ~ 100%
■	■	■	50% ~ 75%
■	■	□	25% ~ 50%
■	□	□	0% ~ 25%

## NOTA:

Dependiendo de las condiciones de uso y de la temperatura ambiente, la indicación puede diferir

ligeramente de la capacidad real.

## Instalación de la batería de respaldo (Fig. 2 y 3)

Mantener las baterías de respaldo dentro del compartimiento evita que los datos guardados en las memorias de presintonías se pierdan.

1. Saque el compartimiento de las baterías para soltar el compartimiento de la batería. Hay un compartimiento de batería principal y un compartimiento de batería de respaldo.
2. Retire la cubierta del compartimiento de la batería de respaldo e introduzca dos baterías UM-3 nuevas (tamaño AA). Asegúrese de que las baterías estén con la polaridad correcta tal y como se muestra dentro del compartimiento. Vuelva a colocar la cubierta de la batería.
3. Una vez que las baterías de respaldo están introducidas, coloque la batería principal para alimentar la radio.

## USO DEL ADAPTADOR DE ALIMENTACIÓN DE CA SUMINISTRADO

Retire el protector de goma e inserte el enchufe del adaptador en la toma de CC en la parte derecha de la radio. Enchufe el adaptador a una toma de la red eléctrica estándar. Cuando se usa el adaptador, la batería se desconecta automáticamente.

### ⚠ PRECAUCIÓN:

- **Desconecte siempre completamente el adaptador de alimentación de CA antes de mover la radio. Si no se retira el adaptador de CA, podría causar una descarga eléctrica.**
- **Nunca tire o arrastre el cable del adaptador. De lo contrario, la radio podría caerse de forma accidental causándole lesiones a usted o a gente a su alrededor.**

### IMPORTANTE:

- El adaptador de la red eléctrica se usa como medio para conectar la radio al suministro de la red eléctrica. La toma de corriente usada por la radio debe permanecer accesible durante el uso normal.
- Para desconectar la radio, el adaptador de la red eléctrica debe retirarse por completo de la toma de corriente.
- Use solo el adaptador de alimentación de CA suministrado con el producto o especificado por Makita.
- No sujete el cable de alimentación y enchufe con la boca. Hacerlo podría causar una descarga eléctrica.
- No toque el enchufe de corriente con las manos mojadas o grasosas.
- Unos cables dañados o enredados incrementan el riesgo de descarga eléctrica. Si el cable está dañado,

haga que su centro de servicio autorizado lo reemplace para evitar riesgos para la seguridad. No lo use antes de la reparación.

- Tras el uso, guarde siempre el adaptador de alimentación de CA fuera del alcance de los niños. Si los niños jugasen con el cable, podrían sufrir lesiones.

### Nota:

Cuando la radio tenga alguna interferencia en la banda AM debido a su adaptador, aleje la radio del adaptador de corriente de CA más de 30 cm.

## Carga mediante el puerto de suministro de alimentación USB

Existe un puerto USB en la parte frontal de la radio.

Puede cargar el dispositivo USB mediante el puerto USB.

1. Conecte el dispositivo USB, por ejemplo un MP3 o reproductor de CD, con un cable USB disponible en el mercado.
2. Presione el botón de encendido para encender la radio.
3. Independientemente de si la radio recibe alimentación de corriente alterna o de baterías, la radio puede cargar el dispositivo USB cuando está encendida y en el modo de radio FM, el modo BT o el modo AUX, que aparece cuando se conecta una fuente de audio externa.

### Nota:

- No puede cargar dispositivos USB durante el modo AM porque la recepción de la señal de radio se vuelve extremadamente mala al cargar el dispositivo USB.
- Durante la carga USB, el volumen máximo del altavoz de salida se reducirá.
- La ranura USB puede suministrar una corriente eléctrica máxima de 2.4A5V.

### Importante:

- Antes de conectar el dispositivo USB al puerto USB, realice siempre una copia de seguridad de los datos del dispositivo USB. De lo contrario, puede que los datos del dispositivo se pierdan.
- Puede que la radio no suministre alimentación a algunos dispositivos USB.
- Cuando no lo utilice, o bien después de una carga, retire el cable USB y cierre la cubierta.
- No conecte una fuente de alimentación al puerto USB. Existe riesgo de que se produzca un incendio. El puerto USB está diseñado únicamente para cargar dispositivos de bajo voltaje. Cuando no cargue un dispositivo de bajo voltaje, coloque siempre la cubierta en el puerto USB.
- No inserte un clavo, un cable, etc. en el interior del puerto de suministro de alimentación USB. Existe el riesgo de que se produzca un cortocircuito que provoque humo o incluso un incendio.
- No conecte esta ranura USB con el puerto USB de un



ordenador, ya que es muy posible que las dos unidades se averíen.

## ESCUCHAR LA RADIO

### Sintonización AM/FM por escaneo

#### Nota:

La antena FM está integrada en el asa. Al usar la radio, enderece adecuadamente el asa por encima de la radio para obtener una mejor recepción. Para la banda AM, gire la radio para obtener la mejor señal puesto que la antena AM está integrada en la radio.

1. Presione el botón de encendido para encender la radio.
2. Presione el botón de fuente para seleccionar el modo de radio AM o FM.
3. Mantenga presionado el control de sintonización para realizar una sintonización automática. La radio escaneará hacia arriba la banda AM/FM desde la frecuencia mostrada en el momento actual, y se detendrá automáticamente cuando encuentre una emisora lo suficientemente fuerte.
4. Tras unos segundos la pantalla se actualizará. En pantalla se mostrará la frecuencia de la señal encontrada.
5. Para encontrar otra emisora, mantenga presionado el control de sintonización como antes.
6. Cuando se llegue al final de la banda de frecuencia, la radio comenzará la sintonización desde el extremo opuesto de la banda de frecuencia.
7. Gire el control de sintonización para ajustar el nivel del volumen según sea necesario.

#### Nota:

- Mientras ajusta el volumen, asegúrese de que FM/AM NO están parpadeando en la pantalla.
  - Si AM/FM parpadean en pantalla, esto le permitirá sintonizar las emisoras manualmente (consulte la sección "Sintonización AM/FM manual" para más información).
  - El volumen no debe ser demasiado alto. Para evitar posibles daños auditivos, no escuche a niveles altos de volumen durante periodos prolongados.
8. Para apagar la radio, presione el botón de encendido.

### Sintonización AM/FM manual

1. Presione el botón de encendido para encender la radio.
2. Presione el botón de fuente para seleccionar el modo de radio AM o FM.
3. Presione el control de sintonización y verá FM o AM parpadeando en pantalla.

#### Nota:

- FM/AM parpadearán aproximadamente durante 10 segundos. Durante este periodo, solo se permite la sintonización manual.

- Si desea ajustar el volumen mientras FM/AM están parpadeando, presione el control de sintonización para detener el parpadeo y gire el control de sintonización para ajustar el nivel de volumen.
4. Gire el control de sintonización para sintonizar una emisora.
  5. Cuando se llegue al final de la banda de frecuencia, la radio comenzará la sintonización desde el extremo opuesto de la banda de frecuencia.
  6. Gire el control de sintonización para ajustar el nivel del volumen según sea necesario.

### Presintonizar emisoras en modo AM/FM

Hay 5 presintonías de emisoras para radio AM y otras cinco para radio FM. Se usan de la misma manera en ambas bandas.

1. Presione el botón de encendido para encender la radio.
2. Presione el botón de fuente para seleccionar la banda de frecuencia deseada. Sintonice la emisora de radio deseada tal y como se describió anteriormente.
3. Mantenga presionado el botón de la presintonía deseada (de la 1 a la 5) hasta que en pantalla se muestre, por ejemplo, "P4" tras la frecuencia. La emisora se guardará en ese número de presintonía. Repita el procedimiento para las presintonías restantes como desee.
4. Las presintonías guardadas pueden sobrescribirse usando el procedimiento anterior si fuera necesario.

### Modos de visualización – FM

La radio dispone de diferentes opciones de visualización para el modo de radio FM.

Presione repetidamente el botón de menú/información para ver la información RDS de la emisora que está escuchando.

- |                          |  |
|--------------------------|--|
| a. Nombres de la emisora | Muestra el nombre de la emisora que está escuchando.                             |
| b. Tipo de programa      | Muestra el tipo de emisora que está escuchando como pop, clásica, noticias, etc. |
| c. Texto de la radio     | Muestra mensajes de texto de la radio como nuevos artículos, etc.                |
| d. Año/día               | Muestra el año y el día de la semana según la fecha configurada en su radio.     |
| e. Fecha/día             | Muestra la fecha y el día de la semana según la fecha configurada en su radio.   |
| f. Modo del ecualizador  | Muestra el modo del ecualizador de la emisora FM que está escuchando.            |
| g. Frecuencia            | Muestra la frecuencia de la emisora FM que está escuchando.                      |

## FM estéreo (automático)/mono

Si la emisora de radio FM que está escuchando tiene una señal débil, puede que escuche algunos silbidos. Es posible reducir estos silbidos forzando a la radio reproducir la emisora en mono en vez de estéreo.

1. Presione el botón de fuente según necesite para seleccionar la banda FM y sintonice la emisora FM deseada como se describió anteriormente.
2. Mantenga presionado el botón de menú/información para acceder al menú de ajustes.
3. Gire el control de sintonización hasta que en pantalla aparezca el ajuste de "FM AUTO (o MONO)". Si el ajuste es "AUTO", presione el control de sintonización y a continuación, gire el control de sintonización para cambiar al modo mono para reducir los silbidos. Presione el control de sintonización para seleccionar la opción.

## Seleccionar una presintonía en modo AM/FM

1. Presione el botón de encendido para encender la radio.
2. Presione el botón de fuente para seleccionar el modo de radio AM o FM.
3. Presione momentáneamente el botón de presintonía deseada para sintonizar su radio a una de las emisoras guardadas en las presintonías de memoria.

## OTROS AJUSTES

### Configurar el formato de la hora y fecha

El reloj mostrado en pantalla en el modo de espera y en las pantallas del modo de reproducción se puede ajustar a otros formatos. El formato seleccionado se usa también al configurar las alarmas.

1. Mantenga presionado el botón de menú/información para acceder al menú de ajustes.
2. Gire el control de sintonización hasta que "CLOCK xxH" aparezca en pantalla y presione el control de sintonización para acceder a los ajustes. El formato de la hora comenzará a parpadear.
3. Gire el control de sintonización para seleccionar entre el formato de 12 o 24 horas. Presione el control de sintonización para confirmar su selección para el formato del reloj.

#### Nota:

Si selecciona el formato de 12 horas, la radio usará el reloj de 12 horas para los ajustes.

4. Mantenga presionado el botón de menú/información para acceder al menú de ajustes.
5. Gire el control de sintonización hasta que una fecha (por ejemplo, THU APR 3) aparezca en pantalla y presione el control de sintonización para acceder a los

- ajustes. El formato de la fecha comenzará a parpadear.
6. Gire el control de sintonización para seleccionar el formato de fecha deseado. Presione el control de sintonización para confirmar su selección.

## Establecer la hora y fecha del reloj

1. Mantenga presionado el botón de menú/información.
2. Gire el control de sintonización hasta que "CLOCK ADJ" aparezca en pantalla. Presione el control de sintonización para acceder a los ajustes.
3. La hora parpadeará en pantalla. Gire el control de sintonización para seleccionar la hora deseada y presione el control de sintonización para confirmar los ajustes. A continuación, gire el control de sintonización para seleccionar el minuto deseado y presione el control de sintonización para confirmar los ajustes.
4. Gire el control de sintonización hasta que "DATE ADJ" aparezca en pantalla. Presione el control de sintonización para acceder a los ajustes.
5. Gire el control de sintonización para seleccionar el año deseado y presione el control de sintonización para confirmar los ajustes. A continuación, gire el control de sintonización para seleccionar el mes deseado y presione el control de sintonización para confirmar los ajustes. A continuación, gire el control de sintonización para seleccionar la fecha deseada y presione el control de sintonización para confirmar los ajustes.

## Radio Data System (RDS)

Cuando ajusta el reloj usando la función RDS, la radio sincronizará la hora del reloj cada vez que sintonice una emisora de radio usando RDS con señales CT.

1. Cuando sintonice una emisora que transmite datos RDS, el símbolo RDS aparecerá en la pantalla. Mantenga presionado el botón de información/menú.
2. Gire el control de sintonización hasta que en pantalla aparezcan "RDS CT" y el símbolo del reloj. Presione el control de sintonización para acceder a los ajustes.
3. Gire el control de sintonización hasta que "RDS CT" aparezca en pantalla. Presione el control de sintonización para confirmar los ajustes. La hora del reloj se ajustará automáticamente según los datos RDS recibidos.

#### Nota:

- La hora del reloj será válida por 5 días cada vez que la hora de la radio se sincronice con RDS CT.
- Para deshabilitar la función de RDS CT, vuelva a los pasos del 1 al 2 y a continuación, gire el control de sintonización para seleccionar la opción "MANUAL". Presione el control de sintonización para confirmar los ajustes.

## Establecer la alarma

La radio tiene dos alarmas que se pueden usar para

despertarle usando la radio AM, FM o un zumbador. Las alarmas pueden establecerse cuando la radio esté en modo de espera o mientras está reproduciendo.

**Nota:**

Antes de establecer las alarmas, asegúrese de que la hora de la radio sea correcta. Si no presiona ningún botón durante 10 segundos, la radio saldrá de la configuración de las alarmas.

**a. Establecer la hora de la alarma de radio:**

1. La radio se puede establecer cuando la radio está encendida o apagada.
2. Mantenga presionado el botón de alarma de radio. El símbolo de la alarma de radio y la hora parpadearán. También escuchará un pitido.
3. Mientras parpadea el símbolo de la alarma de radio, gire el control de sintonización para seleccionar la hora y presione de nuevo el control de sintonización para confirmar los ajustes de la hora. A continuación, gire el control de sintonización para seleccionar los minutos y presione el control de sintonización para confirmar los ajustes de los minutos.
4. Gire el control de sintonización y la pantalla mostrará las opciones de frecuencia para la alarma. Las opciones de la alarma son:  
ONCE – La alarma sonará una vez  
DAILY – La alarma sonará a diario  
WEEKDAY – La alarma solo sonará los días laborables (de lunes a viernes)  
WEEKEND – La alarma solo sonará los fines de semana  
Presione el control de sintonización para confirmar los ajustes.
5. Mientras parpadea el símbolo de la alarma de radio, gire el control de sintonización para seleccionar la banda y emisora deseada para el despertador. A continuación, presione el control de sintonización para confirmar la selección.
6. Gire el control de sintonización para seleccionar el volumen deseado y presione el control de sintonización para confirmar el volumen. La alarma de radio estará ya establecida.

**Nota:**

- Si no se selecciona la nueva emisora para la alarma de radio, se seleccionará la última emisora usada en la alarma.
- Si la emisora seleccionada para la alarma AM/FM no está disponible cuando suene la alarma, en su lugar se usará la alarma de zumbador.

**b. Establecer la alarma de zumbador HWS (Sistema de despertar humano):**

Se activará un pitido cuando seleccione la alarma de zumbador HWS.

El pitido de la alarma sonará menos tiempo cada 15 segundos durante un minuto seguido de un minuto de

silencio antes de repetir el ciclo.

1. La alarma de zumbador se puede establecer con la radio encendida o apagada.
2. Mantenga presionado el botón de alarma de zumbador. El símbolo y la hora parpadearán. También escuchará un pitido.
3. Mientras parpadea el símbolo de la alarma de zumbador, gire el control de sintonización para seleccionar la hora y presione de nuevo el control de sintonización para confirmar los ajustes de la hora. A continuación, gire el control de sintonización para seleccionar los minutos y presione el control de sintonización para confirmar los ajustes de los minutos.
4. Gire el control de sintonización y la pantalla mostrará las opciones de frecuencia para la alarma. Las opciones de la alarma son:  
ONCE – La alarma sonará una vez  
DAILY – La alarma sonará a diario  
WEEKDAY – La alarma solo sonará los días laborables (de lunes a viernes)  
WEEKEND – La alarma solo sonará los fines de semana  
Presione el control de sintonización para confirmar los ajustes.

**Nota:**

No hay ajuste de volumen para la alarma de zumbador.

### Detener el sonido de la alarma

Para cancelar una alarma que esté sonando, presione el botón de encendido.

### Desactivar los ajustes de alarma

Para cancelar los ajustes de la alarma antes de que la alarma suene, mantenga presionado el botón de la alarma correspondiente hasta que el símbolo de la alarma desaparezca de la pantalla.

### Función posponer

1. Al sonar la alarma, presionar cualquier botón, excepto el botón de encendido, silenciará la alarma por 5 minutos. En pantalla se mostrará "SNOOZE".
2. Para ajustar el tiempo de posposición, mantenga presionado el botón de menú/información para acceder al menú de ajustes.
3. Gire el control de sintonización hasta que en pantalla aparezca "SNOOZE X" y a continuación, presione el control de sintonización para acceder a los ajustes. Gire el control de sintonización para ajustar el tiempo de posposición entre 5, 10, 15 y 20 minutos.
4. Para cancelar la posposición mientras la alarma está suspendida, presione el botón de encendido.

### Apagado automático

La radio puede configurarse para que se apague

automáticamente transcurrido un tiempo preestablecido. El apagado automático puede ajustarse a 60, 45, 30, 15, 120 y 90 minutos.

1. Mantenga presionado el botón de encendido para acceder a los ajustes del apagado automático. En pantalla se mostrará "SLEEP XX".
2. Continúe presionado el botón de encendido y las opciones del apagado automático irán apareciendo en pantalla. Pare cuando el ajuste de apagado automático deseado aparezca en pantalla. Los ajustes se guardarán y el LCD volverá a la pantalla normal.
3. Una vez transcurrido el tiempo preestablecido del apagado automático, la radio se apagará automáticamente. El icono de apagado automático se mostrará en pantalla indicando que la función está activa.
4. Para cancelar la función de apagado automático antes de que el tiempo preestablecido haya transcurrido, simplemente presione el botón de encendido para apagar la unidad manualmente.

## Compensación

Puede conseguir una compensación para su radio en las frecuencias más bajas o altas ajustando la función de compensación.

1. Mantenga presionado el botón de menú/información para acceder al menú de ajustes.
2. Gire el control de sintonización hasta que en pantalla aparezca "LOUD ON" o "LOUD OFF". Presione el control de sintonización para acceder a los ajustes.
3. Gire el control de sintonización para seleccionar "ON" para activar la función de compensación. A continuación, presione el control de sintonización para confirmar los ajustes.
4. Para desactivar la función de compensación, seleccione "OFF" y presione el control de sintonización para confirmar los ajustes.

## Función ecualizador

Alrededor del control de sintonización hay 7 tipos de indicadores LED de color para indicar los diferentes modos del ecualizador.

1. Presione el botón de encendido para encender la radio.
2. Presione el botón de control del ecualizador para acceder al menú de ajustes del ecualizador.
3. Gire el control de sintonización para seleccionar el modo deseado. A continuación, presione el control de sintonización para confirmar la selección.

Modo del ecualizador	Indicador LED
PLANO	Blanco
JAZZ	Azul
ROCK	Rojo
CLÁSICA	Marrón

POP	Rosa
NOTICIAS	Amarillo
MI ECUALIZADOR	Verde

## Configurar el perfil de Mi ecualizador

1. Presione el botón de control del ecualizador para acceder al menú de ajustes del ecualizador.
2. Gire el control de sintonización para seleccionar "MY EQ". A continuación, presione el control de sintonización para acceder a los ajustes de "BASS" (graves).
3. Gire el control de sintonización para seleccionar el nivel de graves deseado. Presione el control de sintonización para acceder a los ajustes de "MIDDLE" (medios).
4. Gire el control de sintonización para seleccionar el nivel de medios deseado. Presione el control de sintonización para acceder a los ajustes de "TREBLE" (agudos).
5. Gire el control de sintonización para seleccionar el nivel de agudos deseado. Presione el control de sintonización para confirmar los ajustes.

### Nota:

- Al usar el ecualizador para enfatizar los graves y escuchar a niveles altos de volumen, esto puede causar ruido y distorsión. En dicho caso, ajuste el volumen de la radio apropiadamente.

## ESCUCHAR MÚSICA A TRAVÉS DE TRANSMISIÓN BLUETOOTH

Antes de poder enlazarse automáticamente para reproducir/transmitir música Bluetooth a través de la radio, necesita vincular su dispositivo Bluetooth con la radio. La vinculación crea un "vínculo" para que dos dispositivos se reconozcan mutuamente.

### Nota:

- Para tener una mejor calidad de sonido, recomendamos que ajuste el volumen en su dispositivo Bluetooth a más de dos tercios y a continuación, ajuste el volumen en la radio como necesite.
- DMR114 puede memorizar hasta 8 dispositivos emparejados. Cuando la memoria exceda esta cantidad, el primero de los dispositivos emparejados será sobrescrito.

## Vincular su dispositivo Bluetooth por vez primera

1. Presione el botón de encendido para encender la radio. Presione el botón de fuente para seleccionar el modo Bluetooth. En pantalla aparecerá "BT PAIR" y "PAIR" parpadeará en pantalla.
2. Active el Bluetooth de su dispositivo según su manual

- del usuario para enlazar con la radio. Localice la lista de dispositivos Bluetooth y seleccione el que lleve por nombre "DMR114". (Algunos dispositivos móviles equipados con versiones de Bluetooth anteriores a la BT2.1, puede que sea necesario introducir las contraseña "0000").
- Una vez conectado, habrá un sonido de confirmación. "BLUETOOTH" permanecerá en la pantalla y la retroiluminación se apagará en 10 segundos. Ahora puede simplemente seleccionar y reproducir cualquier música desde su dispositivo fuente. El control del volumen puede ajustarse desde el dispositivo fuente o directamente desde la radio.
  - Use los controles de su dispositivo con función de Bluetooth o los de la radio para reproducir/dejar en pausa y navegar por las pistas.

#### **Nota:**

- Si dos dispositivos Bluetooth, vinculándose por primera vez, buscan la radio, este se mostrará disponible para ambos dispositivos. Sin embargo, si un dispositivo se enlaza con esta unidad primero, entonces el otro dispositivo Bluetooth no lo encontrará en la lista.
- Si su dispositivo Bluetooth se desconecta temporalmente de su radio, entonces, deberá reconectar su dispositivo a la radio de forma manual.
- Si "DMR114" aparece en la lista de su dispositivo Bluetooth, pero no puede conectarse a él, borre el elemento de la lista y vincule de nuevo el dispositivo con la radio, siguiendo los pasos descritos anteriormente.
- El rango óptimo de transmisión Bluetooth es de aproximadamente 10 metros (30 pies) (campo visual) a la radio, pero una distancia de hasta 30 metros (100 pies) es posible.
- Si se pierde la conexión Bluetooth debido a un exceso del tiempo de separación, de la distancia óptima, obstáculos u otros motivos, puede que sea necesario volver a conectar el dispositivo con la radio.
- Objetos físicos, otros dispositivos inalámbricos o dispositivos electromagnéticos pueden afectar la calidad de la conexión.
- La capacidad de la conectividad Bluetooth podría variar dependiendo del dispositivo Bluetooth que se haya conectado. Por favor, consulte las especificaciones Bluetooth de su dispositivo antes de conectarlo a su radio. Puede que no todas las funciones estuvieran disponibles en algunos dispositivos Bluetooth.

### **Reproducción de archivos de audio en el modo Bluetooth**

Cuando haya conectado su radio con el dispositivo Bluetooth que haya elegido, ya podrá comenzar a reproducir su música usando los controles del dispositivo Bluetooth al que se haya conectado.

- Una vez que la reproducción haya comenzado, ajuste el volumen al nivel deseado usando los botones de volumen en su radio o en su dispositivo Bluetooth.
- Use los controles en el dispositivo fuente Bluetooth para reproducir/pausar y recorrer las pistas. Alternativamente, controle la reproducción usando los botones de reproducir/pausar, siguiente pista y pista anterior en la radio.
- Mantenga presionado el botón de siguiente pista o pista anterior para moverse a través de la pista actual. Suelte el botón cuando alcance el punto deseado.

#### **Nota:**

- Es posible que algunas aplicaciones o dispositivos de los reproductores no respondan a todos estos controles.
- Algunos teléfonos móviles puede que se desconecten temporalmente de su radio al realizar o recibir llamadas. Algunos dispositivos puede que silencien temporalmente su transmisión de audio por Bluetooth cuando reciben mensajes de texto, correos electrónicos o por otros motivos ajenos a la transmisión de audio. Ese comportamiento es una función del dispositivo conectado y no indica un fallo en su radio.

### **Reproducir un dispositivo fuente Bluetooth previamente vinculado**

Si su dispositivo Bluetooth hubiera sido emparejado con la radio anteriormente, la unidad memorizará su dispositivo Bluetooth e intentará reconectarse con el dispositivo de la memoria con el que se conectó por última vez. Si el último dispositivo con el que se conectó no estuviera disponible, la radio será reconocible.

### **Desconexión de su dispositivo Bluetooth**

Mantenga presionado el botón de vinculación Bluetooth durante 2-3 segundos hasta que "BT PAIR" se muestre en pantalla o desactive el Bluetooth en su dispositivo Bluetooth para desactivar la conexión. También puede presionar el botón de fuente para seleccionar otro modo que no sea el modo Bluetooth para desactivar la conexión.

### **Borrar la memoria de dispositivos Bluetooth vinculados**

Para borrar la memoria de todos los dispositivos vinculados, mantenga presionado el botón de vinculación Bluetooth durante más de 5 segundos hasta que "CLEARING" se muestre en pantalla.

### **TOMA DE ENTRADA AUXILIAR**

En la parte frontal de la radio se encuentra una toma de entrada auxiliar de 3,5 mm para permitir la entrada de una señal de audio desde un dispositivo de audio externo como un reproductor de MP3 o CD.

1. Conecte una fuente de audio externa (por ejemplo, un reproductor de MP3 o CD) a la toma de entrada auxiliar.
2. Presione el botón de encendido para encender la radio.
3. Presione y suelte repetidamente el botón de fuente hasta que se muestre "AUX IN".
4. Para tener una mejor calidad de sonido, recomendamos poner el volumen a más de dos tercios en su dispositivo de audio y a continuación, ajustar el volumen de la radio según necesite.

**Nota:**

El cable de audio no está incluido como accesorio estándar.

## ESPECIFICACIONES

Requisitos de alimentación	
Adaptador de alimentación CA	DC 12 V 2.5A, clavija central positiva
Batería	2 UM-3 (tamaño AA) para respaldo Batería deslizable: 10,8 V - 18 V
Cobertura de frecuencias	FM: 87.50 - 108 MHz (0.05 MHz/intervalo) AM (MW): 522 - 1,710 kHz (9 kHz/intervalo)

## MANTENIMIENTO

**⚠ PRECAUCIÓN:**

- Nunca utilice gasolina, benceno, disolvente, alcohol o un producto similar. Se puede provocar una decoloración, una deformación o grietas.
- No lave la radio con agua.

Bluetooth®	
(La palabra Bluetooth® y los logotipos son marcas comerciales registradas propiedad de Bluetooth SIG, Inc.)	
Versión de Bluetooth	5.0 certificado
Perfiles Bluetooth	A2DP/SCMS-T/AVRCP
Alimentación de transmisión	Power Class 2
Alcance de transmisión	Óptima: 10 metros máximo (33 pies) Posible: 30 metros máximo (100 pies) (varía en función de las condiciones de uso)
Códec admitido	SBC
Perfil Bluetooth compatible	A2DP/AVRCP
Potencia máxima de radiofrecuencia:	BT EDR: 3.91dBm
Frecuencia de funcionamiento	2402MHz~2480MHz

Característica del circuito	
Altavoz	2.5 pulgadas 8 ohm x2 4 pulgadas 6 ohm x1
Alimentación de salida	10.8V-12Vmáx: 2W x2 +10W 14.4V: 3W x2 +15W 18V: 5W x2 + 25W
Terminal de entrada	3,5 mm diámetro (AUX IN)
Sistema de antena	FM: Antena integrada AM: Antena de barra
Dimensiones (Largo x Ancho x Alto)	268 x 164 x 295 mm
Peso	4.9 KG (sin batería)

# PORTUGUÊS

## (Instruções de origem)



Apenas para países da UE.

Não descarte o equipamento eletrônico ou pilhas juntamente com o lixo doméstico! Em conformidade com as Diretivas Europeias, sobre os Resíduos de Equipamentos Elétricos e Eletrônicos e Baterias e Acumuladores e Resíduos de Pilhas e Acumuladores e a sua implementação de acordo com as leis nacionais, equipamentos elétricos e baterias e pilhas gastas devem ser recolhidas separadamente e devolvidas para uma instalação de reciclagem compatível com o meio ambiente.

## EXPLICAÇÃO DO ASPETO GERAL (Fig. 1)

1. Antena embutida (AM)
2. Pega/Antena embutida (FM)
3. Bloqueio do compartimento da bateria
4. Tapa do compartimento da bateria (cobre a bateria)
5. Coluna de som
6. Tomada DC IN
7. Subwoofer
8. Ligar/Desligar/Temporizador
9. Fonte
10. Despertador
11. Alarme sonoro
12. Predefinição 3/Reproduzir/Pausa
13. Predefinição 5
14. Predefinição 4/Faixa seguinte
15. Volume/Comando de Sintonização/Seleção
16. Controle EQ
17. Entrada AUX IN
18. Porta da fonte de alimentação USB
19. Menu/Info
20. Indicador LED do modo EQ
21. Predefinição 2/Faixa anterior
22. Predefinição 1/Emparelhamento do Bluetooth
23. Visor LCD
24. Compartimento da bateria
25. Compartimento das pilhas de reserva

## Visor LCD

- A. Despertador
- B. Alarme sonoro
- C. Símbolo estéreo
- D. Indicador de bateria fraca
- E. Relógio
- F. Frequência
- G. RDS (Sistema de dados de rádio)
- H. Ícone do temporizador
- I. PM para relógio

## SÍMBOLOS

O seguinte mostra os símbolos usados para o equipamento. Certifique-se que compreende o seu significado antes de usar.



Leia o manual de instruções.

## SEGURANÇA IMPORTANTE INSTRUÇÕES

### ⚠ ADVERTÊNCIA:

Quando utiliza ferramentas elétricas, deve seguir sempre as precauções de segurança básicas para reduzir o risco de incêndio, choque elétrico e danos pessoais, incluindo o seguinte:

1. Leia cuidadosamente o manual de instruções e o manual de instruções do carregador antes de usar.
2. Limpe apenas com um pano seco.
3. Não instale o aparelho junto de fontes de calor como radiadores, registos de calor, fogões ou outros aparelhos (incluindo amplificadores) que produzam calor.
4. Utilize apenas as ligações/acessórios especificados pelo fabricante.
5. Desligue este aparelho quando houver trovoadas ou quando não seja usado por um longo período de tempo.
6. Um rádio a bateria com bateria integrada ou uma bateria separada tem de ser recarregado apenas com o carregador especificado para a bateria. Um carregador que pode ser adequado para um tipo de bateria pode criar um risco de incêndio quando utilizado com outra bateria.
7. Utilize o rádio a bateria apenas com baterias especificamente concebidas. A utilização de qualquer outra bateria pode criar um risco de incêndio.
8. Quando o conjunto da bateria não se encontra a uso, mantenha-o afastado de outros objetos de metal como: clips de papel, moedas, chaves, pregos, parafusos, ou outros objetos pequenos de metal que possam fazer a ligação entre dois terminais. Colocar em curto-circuito os terminais da bateria pode causar faíscas, queimaduras ou um incêndio.
9. Evitar contacto do corpo com superfícies ligadas à terra como tubos, radiadores, fogões e frigoríficos. Há um risco acrescido de choque elétrico se o corpo estiver ligado à terra.
10. Em condições de mau uso, poderá ser ejetado líquido da bateria, evite o contacto. Se ocorrer um contacto accidental, lave abundantemente com água. Se o líquido entrar em contacto com os olhos, procure também ajuda médica. O líquido ejetado da bateria pode causar irritação ou queimaduras.

11. Não utilize uma bateria ou ferramenta danificada ou modificada. Baterias danificadas ou modificadas podem exibir comportamentos imprevisíveis que resultam em incêndio, explosão ou risco de ferimentos.
  12. Não exponha uma bateria ou ferramenta ao fogo ou temperatura excessiva. A exposição ao fogo ou a temperatura acima de 130 °C(266°F) pode provocar uma explosão.
  13. Siga todas as instruções de carregamento e não carregue a bateria ou a ferramenta fora do intervalo de temperatura especificado nas instruções. Carregar incorretamente ou em temperaturas fora do intervalo especificado pode danificar a bateria e aumentar o risco de incêndio.
  14. A ficha do CABO PRINCIPAL é usada para desligar o aparelho e permanecerá pronta a operar.
  15. Não utilize o produto com o volume alto em nenhuma circunstância. Para evitar danos auditivos, utilize o produto com um nível de volume moderado.
  16. (Apenas para produtos com visor LCD) Os visores LCD incluem líquidos que podem causar irritação e envenenamento. Se o líquido entrar nos olhos, na boca ou na pele, enxaguar com água e chamar um médico.
  17. Não exponha o produto à chuva ou em condições húmidas. A entrada de água no produto aumentará o risco de choque elétrico.
  18. Este produto não está destinado a ser utilizado por pessoas (incluindo crianças) com capacidades físicas, sensoriais ou mentais reduzidas, ou falta de experiência e conhecimento, a menos que tenham sido supervisionadas ou instruídas sobre o uso do produto por uma pessoa responsável pela sua segurança. As crianças devem ser supervisionadas para garantir que elas não brincam com o produto. Armazene o produto fora do alcance das crianças.
- moedas, etc.
  - 3) Não exponha o cartucho de bateria à água ou à chuva. Um curto circuito na bateria pode causar um grande fluxo de corrente, sobreaquecimento, possíveis queimaduras e mesmo avaria.
  6. Não guarde a ferramenta e o cartucho da bateria em locais em que a temperatura possa chegar ou ultrapassar os 50°C (122°F)
  7. Não incinere o cartucho da bateria mesmo que se encontre muito danificado ou esteja completamente gasto. O cartucho da bateria pode explodir num incêndio.
  8. Tenha cuidado para não deixar cair a bateria ou bater com a bateria.
  9. Não use uma bateria danificada.
  10. Para evitar riscos, o manual de substituição da bateria deve ser lido antes de usar. E a corrente de descarga máxima da bateria deve ser maior ou igual a 8A.
  11. As baterias que contêm íons de lítio estão sujeitas aos requisitos da Legislação de Mercadorias Perigosas. Para transportes Comerciais, por exemplo, por terceiros, agentes de encaminhamento, requisitos especiais de embalagem e rotulagem devem ser observados. Para a preparação do item que está a ser enviado, é necessário consultar um especialista em materiais perigosos. Observe também as regulamentações nacionais mais detalhadamente.
    - Fita ou cubra os contatos abertos e arrumar a bateria de tal maneira que não pode se mover na embalagem.
  12. Siga as regulamentações locais relativas à eliminação da bateria.
  13. Use as baterias apenas com os produtos especificados pela Makita. A instalação das baterias em produtos não conformes pode resultar em incêndio, superaquecimento, explosão ou vazamento de eletrólito.

**⚠ CUIDADO:**

- **Perigo de explosão se a bateria for substituída incorretamente.**
- **Substitua apenas pelo mesmo tipo ou equivalente.**
- **utilize apenas baterias Makita genuínas. O uso de baterias Makita não genuínas, ou baterias que tenham sido alteradas, pode resultar na explosão da bateria causando incêndios, danos pessoais e materiais. Também anulará a garantia da Makita para a ferramenta Makita e o carregador.**

## GUARDE ESTAS INSTRUÇÕES

# NORMAS DE SEGURANÇA ESPECÍFICAS PARA O CARTUCHO DA BATERIA

1. Antes de usar o cartucho da bateria, leia todas as instruções e marcas de advertência no (1) carregador da bateria, (2) bateria e (3) produto que usa a bateria.
2. Não desmonte o cartucho da bateria.
3. Se o período de funcionamento se tornar excessivamente curto, pare imediatamente o funcionamento. Pode provocar um risco de sobreaquecimento, possíveis queimaduras ou mesmo explosão.
4. Se o eletrólito entrar para os olhos, lave-os com água limpa e procure um médico imediatamente. Pode originar perda de visão.
5. Não faça curto circuito com a bateria:
  - 1) Não toque nos terminais com qualquer material condutor.
  - 2) Evite guardar o cartucho da bateria num recipiente com outros objetos de metal como pregos,

## Conselhos para a manutenção prolongada da bateria

1. Carregue o cartucho da bateria antes de estar completamente descarregado. Pare sempre o funcionamento da ferramenta e carregue o cartucho da bateria quando notar uma menor potência da ferramenta.
2. Nunca recarregue um cartucho de bateria completamente carregado. O sobrecarregamento diminui a duração da bateria.
3. Carregue o cartucho da bateria à temperatura ambiente entre 10°C e 40°C (50°F e 104°F). Deixe que o cartucho da bateria quente arrefeça antes de o carregar.
4. Carregue o cartucho da bateria se não o usar por um longo período de tempo (mais de seis meses).



## TEMPO DE FUNCIONAMENTO

\* As baterias adequadas para este rádio estão listadas na tabela a seguir.

\* A tabela seguinte indica o tempo de funcionamento com um único carregamento.

Capacidade da bateria	Tensão da bateria			SAÍDA ALTIFALANTE = 100mW Unidade: Hora (Aproximadamente)	
	10.8V – 12Vmáx	14.4V	18V	Em rádio ou AUX	Em Bluetooth + carregamento USB
1.3 Ah		BL1415		3.5	0.7
			BL1815	4.0	1.0
1.5 Ah	BL1015 BL1016			6.0	0.8
		BL1415N BL1415NA		4.5	0.9
			BL1815N	5.0	1.2
2.0 Ah	BL1020B BL1021B			8.0	1.0
			BL1820 BL1820B	6.5	1.6
3.0 Ah		BL1430 BL1430B BL1430A		8.0	1.6
			BL1830 BL1830B	9.5	2.3
4.0 Ah	BL1040B BL1041B			16	2.1
		BL1440		13	2.5
			BL1840 BL1840B	13	3.2
5.0 Ah		BL1450		15	3.0
			BL1850 BL1850B	17	4.2
6.0 Ah		BL1460B BL1460A		17	3.3
			BL1860B	21	5.0

### AVISO:

**Utilize apenas as baterias listadas acima. O uso de qualquer outra bateria pode causar ferimentos e/ou incendiar.**

### Nota:

- A tabela relativa ao tempo de operação da bateria acima é para referência.
- O tempo de operação real pode diferir com o tipo de bateria, condição de carregamento ou ambiente de utilização.

# INSTALAÇÃO E FONTE DE ALIMENTAÇÃO

## ⚠ CUIDADO:

- Tenha cuidado para não entalar os dedos ao abrir e fechar a tampa da bateria.
- Volte a colocar o compartimento da bateria na posição original, após instalar ou remover a bateria. Caso contrário, a bateria pode cair acidentalmente do rádio e causar ferimentos a si ou em alguém que esteja perto de si.
- Feche e tranque sempre o compartimento da bateria antes de mover o rádio.
- Desligue sempre o rádio antes de instalar ou remover a bateria.
- Tenha cuidado para não deixar cair ou dar uma pancada no rádio. Se o cartucho partir pode cortar o dedo ou o corpo. Rádio danificado pode exibir um comportamento imprevisível e resultar em incêndio, explosão ou risco de lesão.

## IMPORTANTE:

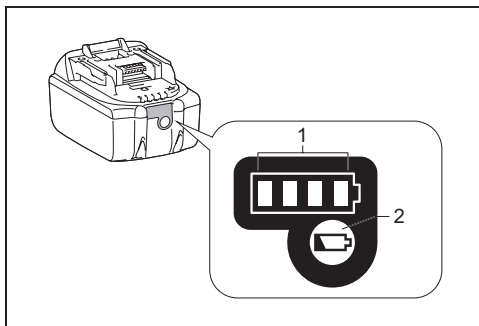
- Quando o tempo de bateria for reduzido, existir distorção, “som intermitente” ou quando tanto o indicador de bateria fraca como a indicação “POWERFAIL” aparecerem no visor, são sinais de que a bateria principal precisa de ser substituída.
- Quando o indicador de bateria fraca aparecer e um “EMPTY” continuar a piscar, está no momento de trocar as pilhas de reserva.
- A bateria não pode ser carregada por meio do adaptador de alimentação CA fornecido.
- A bateria não está incluída como acessório padrão.

## Instalar ou retirar a bateria de deslize (Fig. 4 e 5)

- Para colocar a bateria, alinhe a respetiva saliência com a calha do compartimento e encaixe-a suavemente. Insira-a completamente até fixar em posição com um clique.
- Se ainda estiver visível o indicador vermelho na parte superior do botão, não estará bem encaixado. Coloque-a completamente, até deixar de ver o indicador vermelho. Caso contrário, pode cair do rádio e causar ferimentos em si, ou em alguém que esteja perto de si.
- Não exerça força ao introduzir a bateria. Se não encaixar facilmente é porque não está corretamente posicionada.
- Para remover a bateria, deslize-a do rádio enquanto desliza o botão da frente da bateria.

## Indicar a carga restante da bateria

\* *Apenas para baterias com “B” no final do número de modelo.*



### ➤ 1. Lâmpadas do indicador 2. Botão de verificação

Prima o botão de verificação na bateria para indicar a carga restante da bateria. As lâmpadas indicadoras acendem-se durante alguns segundos.

#### • Baterias de 14.4V/18V

Lâmpadas indicadoras			Capacidade restante
Aceso	Desligado	A Piscar	
■ ■ ■ ■			75% ~ 100%
■ ■ ■ □			50% ~ 75%
■ ■ □ □			25% ~ 50%
■ □ □ □			0% ~ 25%
▣ □ □ □			Carregue a bateria
■ ■ □ □	↑ ↓		A bateria pode estar avariada

#### • Baterias de 10.8V-12V máx

Lâmpadas indicadoras			Capacidade restante
Aceso	Desligado	A Piscar	
■ ■ ■ ■			75% ~ 100%
■ ■ ■ □			50% ~ 75%
■ ■ □ □			25% ~ 50%
■ □ □ □			0% ~ 25%

#### NOTA:

Dependendo das condições de utilização e da temperatura ambiente, a indicação pode diferir ligeiramente da capacidade efetiva.

## Instalação das pilhas de reserva (Fig. 2 e 3)

Mantenha as pilhas de reserva no interior do compartimento para evitar que os dados armazenados nas memórias predefinidas não sejam perdidos.

1. Puxe o bloqueio do compartimento da bateria para soltar o compartimento da bateria. Existe o compartimento da bateria principal e compartimento das pilhas de reserva.
2. Remova a tampa do compartimento das pilhas de reserva e insira 2 pilhas UM-3 novas (tamanho AA). Certifique-se de que as pilhas estejam com a polaridade correta, conforme mostrado dentro do compartimento. Recoloque a tampa do compartimento.
3. Depois que as pilhas de reserva estiverem inseridas, insira a bateria principal para ligar o rádio.

## Utilizar o adaptador de alimentação CA fornecido

Remova o protetor de borracha e insira a ficha do adaptador na tomada DC no lado direito do rádio. Conecte o adaptador a uma tomada convencional. Sempre que o adaptador for usado, a bateria é desconectada automaticamente.

### ⚠ CUIDADO:

- **Desconecte sempre completamente o adaptador de alimentação CA antes de mover o rádio. Se o adaptador CA não for removido, pode causar um choque elétrico.**
- **Nunca puxe ou arraste o cabo do adaptador. Caso contrário, o rádio pode cair acidentalmente e causar danos a si ou em alguém que esteja perto de si.**

### IMPORTANTE:

- A finalidade do adaptador é ser usado como meio de ligação entre o rádio e a rede elétrica. A tomada utilizada para o rádio deve permanecer acessível durante o uso normal.
- Para desconectar o rádio, o adaptador deve ser removido completamente da tomada.
- Utilizar o adaptador de alimentação CA fornecido com o produto ou especificado apenas pela Makita.
- Não segure o cabo de alimentação na boca. Pode causar choque elétrico.
- Não toque na ficha de alimentação com as mãos molhadas ou gordurosas.
- Cabos danificados ou emaranhados aumentam o risco de choque elétrico. Se o cabo estiver danificado, substitua-o no nosso centro de assistência autorizado por questões de segurança. Não utilize antes de o reparar.
- Após a utilização, armazene sempre o adaptador de alimentação CA fora do alcance das crianças. Se as crianças brincarem com o cabo, podem sofrer lesões.

### Nota:

Quando o seu rádio tiver qualquer interferência na banda AM com o seu adaptador, por favor, afaste o seu rádio do seu adaptador de energia CA por 30 cm.

## Carregamento através da porta da fonte de alimentação USB

Existe uma porta USB na parte frontal do rádio. Pode carregar o dispositivo USB através da porta USB.

1. Ligue o dispositivo USB, como MP3 ou leitor de CD, com um cabo USB disponível comercialmente.
2. Prima o botão Ligar/desligar para ligar o rádio.
3. Independentemente de o rádio ser alimentado por CA ou bateria, o rádio pode carregar o dispositivo USB quando o rádio é ligado e no modo de rádio FM, modo BT ou modo AUX, que aparece quando é ligada uma fonte de áudio externa.

### Nota:

- Não pode carregar dispositivos USB durante o modo AM porque a recepção do sinal de rádio torna-se extremamente fraca ao carregar um dispositivo USB.
- O volume máximo do altifalante vai diminuir quando o USB está a carregar.
- A tomada USB pode proporcionar, no máximo, 2,4A5V de corrente elétrica.

### Importante:

- Antes de ligar o dispositivo USB à porta do USB, efetue sempre cópias de segurança dos dados do dispositivo USB. Caso contrário, os dados podem ser perdidos.
- O rádio pode não fornecer alimentação a alguns dispositivos USB.
- Quando não está em utilização ou após o carregamento, retire o cabo USB e feche a tampa.
- Não ligue a fonte de alimentação à porta USB. Caso contrário, existe um risco de incêndio. A porta USB só se destina a carregar dispositivos de tensão inferior. Coloque sempre a tampa na porta USB quando não estiver a carregar um dispositivo de tensão inferior.
- Não introduza um prego, arame, etc., na porta da fonte de alimentação USB. Caso contrário, um curto-circuito pode causar fumo e incêndios.
- Não ligue esta tomada USB à porta USB do computador, uma vez que é altamente possível que cause a avaria das unidades.

## OUVIR O RÁDIO

### Sintonização AM/FM

### Nota:

A antena FM está embutida na pega. Ao operar o rádio, por favor, endireite a pega corretamente acima do rádio para obter uma melhor recepção. Para a banda AM, gire o rádio para obter o melhor sinal, já que a antena AM está embutida no rádio.

1. Prima o botão Ligar/desligar para ligar o rádio.
2. Prima o botão Fonte para selecionar o modo de rádio AM ou FM.
3. Prima continuamente o botão Volume para realizar uma sintonização automática. O seu rádio irá procurar a banda AM/FM da frequência exibida no momento e irá parar a sintonização automaticamente quando encontrar uma estação com intensidade suficiente.
4. Após alguns segundos, o visor será atualizado. O visor irá mostrar a frequência do sinal encontrado.
5. Para encontrar outra estação, Prima continuamente novamente o botão Volume.
6. Quando o fim da banda de frequência for atingido, o rádio irá recomençar a sintonização da extremidade oposta da banda de frequência
7. Gire o botão Volume para ajustar o nível de som conforme necessário.

**Nota:**

- Ao ajustar o volume, verifique se NÃO está a piscar no visor FM/AM.
  - Se estiver a piscar no visor AM/FM, irá poder sintonizar as estações manualmente (veja a secção de "Sintonização manual - AM/FM" para mais detalhes).
  - O volume não deve estar muito alto. Para evitar possíveis danos na audição, não ouça em altos níveis de volume durante longos períodos.
8. Para desligar o rádio, prima o botão Ligar/Desligar.

### Sintonização Manual – AM/FM

1. Prima o botão Ligar/desligar para ligar o rádio.
2. Prima o botão Fonte para selecionar o modo de rádio AM ou FM.
3. Prima o botão Volume e irá piscar no visor FM ou AM.

**Nota:**

- FM/AM irá piscar aproximadamente durante 10 segundos. Durante este período, apenas permitido a sintonização manual.
  - Se desejar ajustar o volume enquanto o FM/AM estiver a piscar, prima o botão Volume para parar de piscar e irá poder girar o botão Volume para ajustar o nível de som.
4. Gire o botão Volume para sintonizar uma estação.
  5. Quando o fim da banda de frequência for atingido, o rádio irá recomençar a sintonização da extremidade oposta da banda de frequência
  6. Gire o botão Volume para ajustar o nível de som, conforme necessário

### Predefinir estações no modo AM/FM

Existem 5 estações predefinidas para rádio AM e FM. São utilizadas da mesma forma para cada banda de frequência.

1. Prima o botão Ligar/desligar para ligar o rádio.
2. Prima o botão Fonte para selecionar a banda de

3. Prima continuamente o botão Volume para realizar uma sintonização automática. O seu rádio irá procurar a banda AM/FM da frequência exibida no momento e irá parar a sintonização automaticamente quando encontrar uma estação com intensidade suficiente.
  4. Após alguns segundos, o visor será atualizado. O visor irá mostrar a frequência do sinal encontrado.
  5. Para encontrar outra estação, Prima continuamente novamente o botão Volume.
  6. Quando o fim da banda de frequência for atingido, o rádio irá recomençar a sintonização da extremidade oposta da banda de frequência
  7. Gire o botão Volume para ajustar o nível de som conforme necessário.
1. frequência pretendida. Sintonize a estação de rádio pretendida, conforme descrito anteriormente.
  3. Prima continuamente o botão Predefinição (1 a 5) pretendido até o visor apresentar "P4", por exemplo, após a frequência. A estação será armazenada com o número predefinido. Repita este procedimento para as restantes estações predefinidas, conforme pretender.
  4. As estações predefinidas que já foram armazenadas podem ser substituídas ao seguir o procedimento acima, se necessário.

### Modos de apresentação – FM

O rádio tem uma gama de opções de apresentação para o modo de rádio FM.

Prima repetidamente o botão Menu/Info para visualizar as informações RDS da estação que está a ouvir

- |                     |   |
|---------------------|---|
| a. Nome da estação  | Apresenta o nome da estação que está a ouvir.                                       |
| b. Tipo de programa | Apresenta o tipo de estação que está a ouvir tal como Pop, Clássica, Notícias, etc. |
| c. Texto de rádio   | Apresenta mensagens de texto de rádio tal como novos itens etc.                     |
| d. Ano/Dia          | Apresenta o ano e o dia da semana de acordo com a definição da data do rádio.       |
| e. Data/Dia         | Apresenta a data e o dia da semana de acordo com a definição da data do rádio.      |
| f. Modo EQ          | Apresenta o modo EQ do FM para a estação que está a ouvir.                          |
| g. Frequência       | Apresenta a frequência de FM para a estação que está a ouvir.                       |

### FM estéreo (automático)/mono

Se a estação de rádio FM que está a ouvir tiver um sinal fraco, pode ouvir-se algum ruído. É possível reduzir este ruído ao forçar o rádio a reproduzir a estação em mono em vez de estéreo.

1. Prima o botão Fonte, conforme necessário, para selecionar a banda FM e sintonizar a estação FM pretendida, conforme mencionado previamente
2. Prima continuamente o botão Menu/Info para entrar no menu de definições.
3. Gire o botão Volume até a definição "FM Auto/mono" aparecer no visor. Se a definição for automática, prima e gire o botão Volume para mudar para o modo Mono para reduzir o ruído. Prima o botão Volume para selecionar a opção

### Aceder a uma estação predefinida no modo AM/FM

1. Prima o botão Ligar/desligar para ligar o rádio.
2. Prima o botão Fonte para selecionar o modo AM ou FM.

3. Prima momentaneamente o botão Predefinição que desejar, para sintonizar o rádio numa das estações armazenadas na memória predefinida.

## CELLANEOUS SETTINGS

### Definir o formato da hora e da data

O mostrador do relógio usado no modo de espera e do modo de reprodução pode ser configurado para um formato diferente. O formato selecionado também é usado ao definir os alarmes.

1. Prima continuamente o botão Menu/Info para entrar no menu de definições.
2. Gire o botão Volume até aparecer "CLOCK xxH" no mostrador e prima o botão Volume para introduzir a definição. O formato da hora irá começar a piscar.
3. Gire o botão Volume para selecionar o formato de 12 ou 24 horas. Prima o botão Volume para confirmar a sua escolha do formato do relógio.

#### Nota:

Se escolher o formato de relógio de 12 horas, o rádio irá utilizar o relógio de 12 horas para a definição.

4. Prima continuamente o botão Menu/Info para entrar no menu de definições.
5. Gire o botão Volume até aparecer até à data (por exemplo THU APR 3) no mostrador e prima o botão Volume para introduzir a definição. O formato da data irá começar a piscar.
6. Gire o botão Volume para selecionar o formato da data pretendido. Prima o botão Volume para confirmar a sua escolha.

### Definir a hora e a data do relógio

1. Prima continuamente o botão Menu/Info.
2. Gire o botão Volume até aparecer "CLOCKADJ" no mostrador e prima o botão Volume para introduzir a definição.
3. A hora definida irá começar a piscar. Gire o botão Volume para selecionar a hora pretendida e prima o botão Volume para confirmar a definição. De seguida, gire o botão Volume para selecionar o minuto pretendido e prima o botão Volume para confirmar a definição.
4. Gire o botão Volume até aparecer "DATE ADJ" no visor. Prima o botão Volume para introduzir a definição.
5. Gire o botão Volume para selecionar o ano pretendido e prima o botão Volume para confirmar a definição. De seguida, gire o botão Volume para selecionar o mês pretendido e prima o botão Volume para confirmar a definição. Por fim, gire o botão Volume para selecionar o dia pretendido e prima o botão Volume para confirmar a definição.

## Radio Data System (RDS)

Quando define a hora do relógio através da função RDS, o rádio irá sincronizar a hora do relógio sempre que sintoniza uma estação de rádio através de RDS com sinais CT.

1. Ao sintonizar uma estação que transmite dados RDS, o símbolo RDS será exibido no visor. Prima continuamente o botão Menu/Info.
2. Gire o botão Volume até "RDS CT" e um símbolo de relógio aparecerem no visor. Prima o botão Volume para introduzir a definição.
3. Gire o botão Volume até aparecer "RDS CT" no visor. Prima o botão Volume para confirmar a definição. A hora do relógio do rádio será automaticamente configurada de acordo com os dados RDS recebidos.

#### Nota:

- A hora do rádio será válida durante 5 dias sempre que a hora do rádio é sincronizada com o RDS CT.
- Para desativar a função RDS CT, volte para o passo 1 a 2 e depois gire o botão Volume para selecionar a opção "MANUAL". Prima o botão Volume para confirmar a definição.

### Definir o alarme

Este rádio possui dois alarmes que podem ser definidos para acordá-lo ao som do rádio AM/FM ou com o som do despertador. Os alarmes podem ser definidos enquanto a unidade estiver no modo de espera ou em reprodução.

#### Nota:

Certifique-se de que a hora esteja definida corretamente antes de definir os alarmes. Se nenhum botão for pressionado durante 10 segundos, o rádio irá sair da configuração do alarme.

#### a. Definir a hora de alarme do rádio:

1. O alarme do rádio pode ser definido quando o rádio estiver ligado ou desligado.
2. Prima continuamente o botão Despertador, o símbolo do despertador e a hora irão piscar juntamente com um sinal sonoro.
3. Durante as intermitências do símbolo de despertador, gire o botão Volume para selecionar a hora e prima novamente o botão Volume para confirmar a definição da hora. De seguida, gire o botão Volume para selecionar o minuto e prima o botão Volume para confirmar a definição do minuto.
4. Gire o botão Volume e o visor irá mostrar as opções de frequência para o alarme.

As opções de alarme são as seguintes:

ONCE - o alarme irá tocar uma vez

DAILY - o alarme irá tocar todos os dias

WEEKDAY - o alarme irá tocar apenas nos dias da semana

WEEKEND - o alarme irá tocar apenas nos fim-de-semana

- Prima o botão Volume para confirmar a definição.
5. Enquanto o símbolo de despertador estiver a piscar, gire o botão Volume para selecionar a banda e a estação de rádio pretendidas do despertador, de seguida, prima o botão Volume para confirmar a seleção.
  6. Gire o botão Volume para selecionar o volume pretendido e prima o botão Volume para confirmar o volume. A definição do despertador está concluído.

#### **Nota:**

- Se a nova estação de rádio do despertador não for selecionada, o rádio irá selecionar a última estação definida para o despertador.
- Se estação AM/FM do despertador selecionada não estiver disponível quando o alarme está a tocar, será utilizado o alarme sonoro.

#### **b. Definição do alarme sonoro HWS (Sistema de despertar humano):**

Será ativado um tom de aviso sonoro ao selecionar o alarme sonoro HWS.

O alarme sonoro toca cada vez mais curto a cada 15 segundos durante um minuto, seguido de um minuto de silêncio antes de repetir o ciclo.

1. O alarme sonoro pode ser definido quando o rádio estiver ligado ou desligado.
2. Prima continuamente o botão de alarme sonoro , o símbolo e a hora irão piscar juntamente com um sinal sonoro.
3. Durante as intermitências do símbolo de alarme sonoro, gire o botão Volume para selecionar a hora e prima novamente o botão Volume para confirmar a definição da hora. De seguida, gire o botão Volume para selecionar o minuto e prima o botão Volume para confirmar a definição do minuto
4. Gire o botão Volume e o visor irá mostrar as opções de frequência para o alarme.

As opções de alarme são as seguintes:

ONCE - o alarme irá tocar uma vez

DAILY - o alarme irá tocar todos os dias

WEEKDAY - o alarme irá tocar apenas nos dias da semana

WEEKEND - o alarme irá tocar apenas nos fim-de-semana

Prima o botão Volume para confirmar a definição.

#### **Nota:**

Não existe ajuste de volume para o alarme sonoro.

### **Cancelar o som do alarme sonoro**

Para cancelar um alarme sonoro, prima o botão Ligar/desligar.

### **Desativar o alarme**

Para cancelar um alarme ativo, prima continuamente o respetivo botão de alarme até o símbolo do alarme

desaparecer do visor.

### **Suspender**

1. Quando o alarme tocar, prima qualquer botão que não o botão Ligar/desligar irá silenciar o alarme durante 5 minutos. “SNOOZE” irá aparecer no visor.
2. Para ajustar o tempo de silêncio para o temporizador de suspensão, prima continuamente o botão Menu/Info para introduzir a definição.
3. Prima o botão Volume até aparecer “SNOOZE X” no visor, de seguida, prima o botão Volume para introduzir a definição. Gire o botão Volume para ajustar o tempo de silêncio entre 5, 10, 15 e 20 minutos para o temporizador de suspensão.
4. Para cancelar o temporizador de suspensão enquanto o alarme está suspenso, prima o botão Ligar/desligar.

### **Temporizador**

O rádio pode ser definido para se desligar automaticamente após o decorrer de um tempo predefinido. A definição Temporizador pode ser ajustada entre 60, 45, 30, 15, 120 e 90 minutos.

1. Prima continuamente o botão Ligar/desligar entrar nas definições do Temporizador. Irá aparecer “SLEEP XX” no visor.
2. Continue a premir o botão Ligar/desligar e as opções do Temporizador irão começar a comutar no visor. Pare quando a definição do Temporizador pretendida aparecer no visor. A definição será guardada e o LCD irá retomar a apresentação normal.
3. O rádio irá desligar-se automaticamente após o decorrer do tempo do Temporizador predefinido. O ícone do Temporizador irá aparecer no visor indicando que existe um Temporizador ativo.
4. Para cancelar a função do Temporizador antes do decorrer do tempo predefinido, prima o botão Ligar/desligar para desligar a unidade manualmente

### **Intensidade sonora**

Pode obter a compensação na frequência inferior e superior do rádio ao ajustar a função de intensidade sonora.

1. Prima continuamente o botão Menu/Info entrar no menu.
2. Gire o botão Volume até aparecer “LOUD ON” ou “LOUD OFF” no visor. Prima o botão Volume para introduzir a definição.
3. Gire o botão Volume para escolher ON para ligar a função de intensidade sonora, de seguida, prima o botão Volume para confirmar a definição.
4. Para desligar a função de intensidade sonora, seleccione OFF e prima o botão Volume para confirmar a definição.

## Função equalizador

Existem 7 tipos de indicadores LED coloridos ao redor do botão Volume para indicar diferentes modos EQ.

1. Prima o botão Ligar/desligar para ligar o rádio.
2. Prima o botão Controle EQ para entrar no menu de configuração do EQ.
3. Gire o botão Volume para selecionar o modo desejado. Em seguida, prima o botão Volume para confirmar a seleção.

Modo EQ	Indicador LED
FLAT	Branco
JAZZ	Azul
ROCK	Vermelho
CLÁSSICA	Castanho
POP	Rosa
NOTÍCIAS	Amarelo
My EQ	Verde

## Configurar o perfil do My EQ

1. Prima o botão Controle EQ para entrar no menu de configuração do EQ.
2. Gire o botão Volume para selecionar "MY EQ". Em seguida, prima o botão Volume para entrar na configuração "BASS".
3. Gire o botão Volume para selecionar o nível de graves desejado. Prima o botão Volume para entrar na configuração "MIDDLE".
4. Gire o botão Volume para selecionar o nível de médios desejado. Prima o botão Volume para entrar na configuração "TREBLE".
5. Gire o botão Volume para selecionar o nível de agudos desejado. Prima o botão Volume para confirmar a configuração.

### Nota:

- Ao usar o equalizador para destacar os graves e ouvir em volume muito alto, pode causar quebra e distorção de som. Neste caso, ajuste adequadamente o volume do rádio.

## OUVIR MÚSICA A PARTIR DO SISTEMA BLUETOOTH

Precisa emparelhar o seu dispositivo Bluetooth com o rádio antes de poder se conectar automaticamente para reproduzir/transmitir música Bluetooth através do rádio. O emparelhamento cria uma "ligação" para que os dois dispositivos possam se reconhecer.

### Nota:

- Para obter a melhor qualidade de som, recomendamos configurar o volume para mais de dois terços no seu dispositivo Bluetooth e, em seguida, ajuste o volume no rádio conforme necessário.
- O seu rádio pode memorizar até 8 conjuntos de dispositivos emparelhados, quando a memória excede

este valor, o histórico do emparelhamento mais antigo será substituído.

## Emparelhar o seu dispositivo Bluetooth pela primeira vez

1. Prima o botão Ligar/Desligar para ligar o rádio. Prima o botão Fonte para selecionar o modo Bluetooth. Irá piscar no visor "BT PAIR" e "PAIR".
2. Ative o Bluetooth no seu dispositivo de acordo com o manual do utilizador do dispositivo para fazer a ligação ao rádio. Localize a lista de dispositivos Bluetooth e selecione o dispositivo designado 'DMR114.' (Com alguns telemóveis que estão equipados com versões anteriores ao dispositivo Bluetooth BT2.1, pode necessitar de introduzir a palavra-passe "0000").
3. Uma vez conectado, haverá um sinal sonoro de confirmação. Irá permanecer no visor "BLUETOOTH" e a luz de fundo será apagada em 10 segundos. Também pode simplesmente selecionar e reproduzir qualquer música do seu dispositivo. O controlo de volume pode ser ajustado a partir do seu dispositivo ou diretamente do rádio.
4. Use os controlos do seu dispositivo com Bluetooth ou do rádio para tocar/pausar e procurar faixas.

### Nota:

- Se 2 dispositivos Bluetooth, forem emparelhados pela primeira vez, ambos procuram o seu rádio, mostrando a sua disponibilidade em ambos os dispositivos. Porém, se um dispositivo se ligar a esta unidade primeiro, o outro dispositivo de Bluetooth não o encontrará na lista.
- Se o dispositivo Bluetooth estiver temporariamente desligado do rádio, então necessita de religar manualmente o seu dispositivo de novo ao rádio.
- Se aparecer 'DMR114' na sua lista de dispositivos Bluetooth mas o seu dispositivo não puder ligar-se ao mesmo, apague o item da sua lista e emparelhe, de novo, o dispositivo com o rádio seguindo os passos descritos previamente.
- O melhor alcance de Bluetooth é de aproximadamente 10 metros (linha de visão) para o rádio, mas a distância de até 30 metros (100 pés) é possível.
- Se a conexão Bluetooth for perdida devido ao tempo excedido de desconexão, a distância ideal foi ultrapassada, obstáculos ou outros, talvez seja necessário restabelecer a ligação entre o seu dispositivo e o rádio.
- Obstáculos físicos, outros dispositivos sem fio ou dispositivos eletromagnéticos podem afetar a qualidade da conexão.
- O desempenho da conectividade do Bluetooth pode variar dependendo dos dispositivos Bluetooth ligados. Consulte as capacidades de Bluetooth do seu dispositivo antes de o ligar ao rádio. Nem todas as

funcionalidades são suportadas nalguns dispositivos Bluetooth emparelhados.

## Tocar ficheiros áudio em Modo Bluetooth

Depois de ter ligado com sucesso o seu rádio ao dispositivo Bluetooth escolhido pode começar a tocar a sua música usando os controlos do dispositivo Bluetooth ligado.

1. Depois de começar a tocar ajuste o volume de acordo com o desejado, usando os botões de volume do seu rádio, ou os do dispositivo com capacidade Bluetooth.
2. Utilize os controlos do seu dispositivo Bluetooth para reproduzir/colocar em pausa e navegar pelas faixas. Como alternativa, controle a reprodução usando os botões Reproduzir/Pausa, Faixa seguinte, Faixa anterior no seu rádio.
3. Prime continuamente o botão Faixa seguinte ou Faixa anterior para percorrer a faixa atual. Solte o botão quando o ponto desejado for atingido.

### Nota:

- Alguns aplicativos ou dispositivos de reprodução podem não responder a todos estes controlos.
- Alguns telemóveis podem ficar temporariamente desligados do rádio quando faz ou recebe chamadas. Alguns dispositivos podem silenciar temporariamente o streaming áudio do Bluetooth quando recebem mensagens de texto, emails, ou por outras razões não relacionadas com o streaming áudio. Esse comportamento é uma função do dispositivo ligado e não indica uma avaria no seu rádio.

## Reproduzir um dispositivo Bluetooth previamente emparelhado

Se o seu dispositivo Bluetooth já tiver sido emparelhado anteriormente com o rádio, a unidade memorizará o seu dispositivo Bluetooth e esta tenta restabelecer a ligação com um dispositivo na memória que tenha sido ligado da última vez. Se o último dispositivo ligado não estiver disponível, o rádio fica disponível.

## Desligar o Dispositivo Bluetooth

Prime continuamente o botão de emparelhamento Bluetooth durante 2-3 segundos até que "BT PAIR" seja exibido no visor ou desligue o Bluetooth no seu dispositivo Bluetooth para desativar a conexão. Também pode premir o botão Fonte para selecionar qualquer modo diferente de Bluetooth para desativar a conexão.

## Apagar os dispositivos Bluetooth emparelhados gravados

Para apagar todos os dispositivos emparelhados gravados, prima continuamente o botão Emparelhamento do Bluetooth mais do que 5 segundos até aparecer no

visor "CLEARING".

## ENTRADA AUXILIAR

Na parte da frente do rádio, existe uma entrada auxiliar de 3,5 mm para reproduzir a partir de um dispositivo de áudio externo para o rádio, como um MP3 ou um leitor de CDs.

1. Conecte uma fonte de áudio externa (por exemplo, MP3 ou leitor de CDs) na entrada AUX IN.
2. Prima o botão Ligar/desligar para ligar o rádio.
3. Prima repetidamente o botão Fonte até aparecer "AUX IN" no visor.
4. Para obter a melhor qualidade de som, recomendamos que ajuste o volume para mais de dois terços no seu dispositivo de áudio e ajuste o volume no rádio, conforme o necessário.

### Nota:

O cabo de áudio não está incluído como acessório padrão.

## MANUTENÇÃO

### ⚠ PRECAUÇÃO:

- Nunca utilize gasolina, benzina, diluente, álcool ou semelhante. Podem formar-se descolorações, deformações ou fissuras.
- Não limpe o rádio com água.



# ESPECIFICAÇÕES

<b>Requisitos de alimentação</b>	
Adaptador de alimentação CA	CC12 V 2.5A, pino central positivo
Pilhas	UM-3 (tamanho AA) x2 para reserva Bateria: 10.8V - 18V
Cobertura de frequências	FM 87.50-108MHz (0.05MHz/step) AM(MW)522-1,710kHz (9 kHz/step)

<b>Bluetooth®</b>	
(A marca e o logótipo Bluetooth® são marcas comerciais registadas da Bluetooth SIG, Inc.)	
Versão de Bluetooth	Certificado 5.0
Perfis de Bluetooth	A2DP/SCMS-T/AVRCP
Potência de transmissão	Classe de Potência 2
Intervalo de transmissão	Ótimo: Máx.10 metros (33 pés) Possível: Máx. 30 metros (100 pés) (varia de acordo com as condições de utilização)
Codec suportado	SBC
Perfil Bluetooth compatível	A2DP/AVRCP
Potência máxima de radiofrequência:	BT EDR: 3.91dBm
Frequência de operação	2402MHz~2480MHz

<b>Característica de circuito</b>	
Altifalante	2.5 polegadas 8 ohm x2 4 polegadas 6 ohm x1
Potência de saída	10.8V-12Vmáx: 2W x2 +10W 14.4V: 3W x2 +15W 18V: 5W x2 + 25W
Terminal de entrada	3,5 mm diâ. (AUX IN)
Sistema de antena	FM: Antena embutida AM: Antena
Dimensões (C x L x A)	268 x 164 x 295 mm
Peso	4.9 KG (sem bateria)

## DANSK (Originalvejledning)

### FORKLARING AF GENEREL OVERSIGT (Fig. 1)

1. Indbygget antenne (AM)
2. Håndtag/Indbygget antenne (FM)
3. Batterirum lås
4. Batterirumsdæksel (dækker batteripatronen)
5. Højttaler
6. DC indgangsstik
7. Subwoofer
8. Tænd/sluk-taster
9. Kildeknap
10. Radio alarmknap
11. Summer alarmknap
12. Forudindstilling 3/Afspil/Pause-knap
13. Forudindstilling 5-knap
14. Forudindstilling 4/Næste nummer-knap
15. Lydstyrke/tuning/valgknap
16. EQ-kontrolknap
17. AUX IN indgangsstik
18. USB-strømforsyningsport
19. Menu/Info-knap
20. EQ LED-indikator
21. Forudindstilling 2/Forrige nummer-knap
22. Forudindstilling 1/Bluetooth-parringsknap
23. LCD display
24. Batterirum
25. Rum til backup-batterier

### LCD display

- A. Radio-alarm
- B. Summer-alarm
- C. Stereosymbol
- D. Indikator for Lavt batteri
- E. Ur
- F. Frekvens
- G. RDS (Radio data system)
- H. Sleep timer-ikon
- I. PM for ur

### SYMBOLER

I det efterfølgende vises de symboler, der anvendes for udstyret. Sørg for at du forstår deres betydning før brug.



Læs brugsanvisningen.



Kun for EU-lande.  
Smid ikke elektrisk udstyr eller batterier ud sammen med husholdningsaffald!  
Under overholdelse af de europæiske

direktiver om elektrisk og elektronisk udstyr og batterier og akkumulatore og opbrugte batterier og akkumulatore og deres gennemførelse i overensstemmelse med national lovgivning skal elektrisk udstyr og batterier og batteripakker, der er nået til enden af deres levetid, indsamles separat og returneres til et miljømæssigt egnet genvindingsanlæg.

### VIGTIGE SIKKERHEDSINSTRUKTIONER

#### ADVARSEL:

Ved brug af elektriske maskiner skal de grundlæggende sikkerhedsforholdsregler altid overholdes for at reducere risikoen for brand, elektrisk stød og personskade, inklusive de følgende:

1. Læs denne brugsanvisning og brugsanvisningen til opladeren omhyggeligt igennem inden brug.
2. Foretag kun rengøring med en ren klud.
3. Installer ikke udstyret i nærheden af varmekilder som f.eks. radiatorer, indblæsningsriste, kakkellovne eller andre apparater (inklusive forstærkere) der producerer varme.
4. Brug kun ekstraudstyr/tilbehør som er specificeret af producenten.
5. Tag stikket til dette apparat ud under tordenvejr, eller når det ikke skal anvendes i længere tidsperioder.
6. En batteridrevet radio med indbygget batteri eller en separat batteripakke må kun oplades med den specificerede oplader til batteriet. En oplader, der muligvis passer til én type batteri, kan medføre risiko for brand, hvis den anvendes med et andet batteri.
7. Anvend kun batteridrevne radioer sammen med særligt designede batteripakker. Brug af andre batterier kan muligvis medføre en risiko for brand.
8. Når batteripakken ikke er i brug, skal den holdes væk fra andre metalgenstande som f.eks.: papirclips, mønter, søm, nøgler, skruer eller andre små metalgenstande, som kan forbinde den ene terminal med den anden. Kortslutning af batteriterminalerne kan medføre gnister, forbrændinger eller brand.
9. Undgå kropskontakt med jordforbundne overflader som rør, radiatorer, overflader og køleskabe. Hvis kroppen er jordforbundet, forøges risikoen for elektrisk stød.
10. Ved forkert behandling kan der sive væske ud fra batteriet; undgå kontakt. Hvis der opstår utilsigtet kontakt, skal du skylle med vand. Hvis du får væske i øjnene, skal du desuden søge lægehjælp. Væske fra batteriet kan forårsage irritation eller forbrændinger.
11. Brug ikke en batteripakke eller et værktøj, som er beskadiget eller modificeret. Beskadigede eller ændrede batterier kan udvise uforudsigelig adfærd,

- der resulterer i brand, eksplosion eller risiko for skade.
12. Udsæt ikke en batteripakke eller et værktøj for brand eller overdrevent høj temperatur. Hvis det udsættes for ild eller temperatur over 130 °C(266°F), kan det forårsage eksplosion.
  13. Følg alle opladningsinstruktioner, og oplad ikke batteriet eller værktøjet uden for det temperaturområde, der er angivet i vejledningen. Ukorrekt opladning eller ved temperaturer uden for det angivne område kan beskadige batteriet og øge risikoen for brand.
  14. NETSTIKKET bruges som afbryder, og det skal derfor være let og hurtigt tilgængeligt
  15. Brug ikke produktet ved høj lydstyrke i længere tid. For at undgå høreskader, brug produktet ved moderat lydstyrke.
  16. (Kun for produkter med LCD-skærm) LCD-skærme indeholder væske, der kan forårsage irritation og forgiftning. Hvis væsken kommer i øjnene, munden eller huden, skal man området med vand og kontakte en læge.
  17. Udsæt ikke produktet for regn eller våde forhold. Vand, der kommer ind i produktet, øger risikoen for elektrisk stød.
  18. Dette produkt er ikke beregnet til brug af personer (herunder børn) med nedsatte fysiske, sensoriske eller mentale evner eller manglende erfaring og viden, medmindre de er under opsyn eller har fået instruktioner vedrørende brugen af produktet af en person, der er ansvarlig for deres sikkerhed. Børn skal overvåges for at sikre, at de ikke leger med produktet. Opbevar produktet utilgængeligt for børn.

## GEM DISSE INSTRUKTIONER

### SPECIFIKKE SIKKERHEDSREGLER TIL BATTERIPATRON

1. Før du bruger batteripakken, skal du læse alle instruktioner og advarselsmarkeringer på (1) batterioplader, (2) batteri og (3) produktet, som batteri skal bruges i.
2. Adskil ikke batteripakken.
3. Hvis driftstiden er blevet væsentligt kortere, skal man standse driften med det samme. Det kan medføre risiko for overophedning, forbrændinger og endda eksplosion.
4. Hvis du får elektrolyt i øjnene, skal du skylle dem med rent vand og søge læge med det samme. Det kan resultere i tab af synet.
5. Man må ikke kortslutte batteripakken:
  - 1) Berør ikke terminalerne med nogen som helst elektrisk ledende materialer.
  - 2) Undgå at opbevare batteripakken i en beholder, som indeholder andre metalgenstande såsom søm, mønter, osv.

- 3) Udsæt ikke batteripakken for vand eller regn. En eventuel kortslutning af batteriet kan medføre at der opstår en stor strømstyrke, overophedning, mulige forbrændinger og endog sammenbrud.
6. Opbevar ikke værktøjet og batteripakken på steder, hvor temperaturen kan nå eller overstige 50°C (122°F)
7. Man må ikke brænde batteripakken, selv om den er alvorligt beskadiget eller helt slidt op. Batteripakken kan eksplodere, hvis den udsættes for ild.
8. Pas på ikke at tabe batteri eller udsætte det for stød.
9. Brug ikke et beskadiget batteri.
10. For at undgå risikoen skal man læse manualen vedrørende udskiftning af batteriet inden brug. Og batteriets maksimale udløbsstrøm skal være større end eller lig med 8A.
11. Det indeholder lithium-ion-batterier, som er underlagt kravene i lovgivningen om farligt gods. For erhvervs-mæssig transport, f.eks. via tredjeparter eller fremsendelsesagenter skal særlige krav til emballering og mærkning overholdes. Ved forberedelse af forsendelse af varen er det nødvendigt at konsultere en ekspert i farligt materiale. Vær også opmærksom på mere detaljerede nationale bestemmelser. Blottede kontakter skal isoleres med tape eller andre midler, og batteriet skal pakkes på en sådan måde, at det ikke kan bevæge sig rundt i emballagen.
12. Følg de lokale forskrifter vedrørende bortskaffelse af batterier.
13. Brug kun batterierne sammen med de produkter, der er specificeret af Makita. Installation af batterier i ikke-kompatible produkter kan resultere i brand, ekstrem varmeudvikling, eksplosion eller lækage af elektrolyt.

#### ⚠ ADVARSEL:

- Fare for eksplosion, hvis batteriet udskiftes forkert.
- Udskift kun med samme eller tilsvarende type.
- Brug kun ægte Makita-batterier. Brug af uægte Makita-batterier eller batterier, der er modificerede, kan resultere i, at batteriet sprænges og forårsager brand, kvæstelser og andre skader. Det vil også ugyldiggøre Makita-garantien for Makita-værktøjet og opladeren.

#### Tips til at opretholde maksimal batterilevetid

1. Oplad batteripakken igen inden den er helt afladet. Hold op med at bruge værktøjet og oplad batteripakken, når du bemærker at værktøjets styrke mindskes.
2. Oplad aldrig en batteripakke, som allerede er fuldt opladet. Overopladning forkorter batteriets levetid.
3. Oplad batteripakken i omgivelser, der har en temperatur på 10°C - 40°C (50°F - 104°F). Lad en varm batteripakke køle ned, før den oplades.
4. Oplad batteripakken, hvis du ikke bruger den i en længere periode (mere end seks måneder).

# DRIFTSTID

\* De batteripakker som passer til denne radio er opført i nedenstående tabel.

\* Nedenstående tabel viser hvor lang tid enheden kan fungere på en enkelt opladning.

Batterikapacitet	Batterispænding			VED HØJTALER-OUTPUT = 100mW Enhed: Time (ca.)	
	10.8V – 12Vmaks	14.4V	18V	I radio eller AUX	I Bluetooth + USB opladning
1.3 Ah		BL1415		3.5	0.7
			BL1815	4.0	1.0
1.5 Ah	BL1015 BL1016			6.0	0.8
		BL1415N BL1415NA		4.5	0.9
			BL1815N	5.0	1.2
2.0 Ah	BL1020B BL1021B			8.0	1.0
			BL1820 BL1820B	6.5	1.6
3.0 Ah		BL1430 BL1430B BL1430A		8.0	1.6
			BL1830 BL1830B	9.5	2.3
4.0 Ah	BL1040B BL1041B			16	2.1
		BL1440		13	2.5
			BL1840 BL1840B	13	3.2
5.0 Ah		BL1450		15	3.0
			BL1850 BL1850B	17	4.2
6.0 Ah		BL1460B BL1460A		17	3.3
			BL1860B	21	5.0

## ADVARSEL:

**Brug kun de batterier, der angives ovenfor. Brug af andre batterikassetter kan forårsage skade og/eller brand.**

### Bemærk:

- Tabel vedrørende batteridriftstiden ovenfor er kun vejledende.
- Den faktiske driftstid kan afvige alt efter batteritypen, opladningsbetingelserne eller brugsmiljøet.

# INSTALLATION OG STRØMFORSYNING

## ⚠ ADVARSEL:

- Pas på ikke at klemme fingrene, når du åbner og lukker batteridækslet.
- Sæt batterirummets dæksel tilbage i den oprindelige position, efter at du har installeret eller fjernet batteripakken. Hvis ikke, kan batteripakken ved et uheld falde ud af radioen og forårsage skade på dig eller andre omkringstående personer.
- Luk og lås altid låget til batterirummet inden du flytter radioen.
- Sluk altid radioen, inden du tager batteripakken ud eller sætter den i.
- Pas på ikke at tabe radioen eller udsætte den for slag. Du risikere at skære dig på kabinettet, hvis det er revnet eller knækket. En beskadiget radio kan udvise uforudsigelig adfærd, der resulterer i brand, eksplosion eller risiko for kvæstelser.

## VIGTIGT:

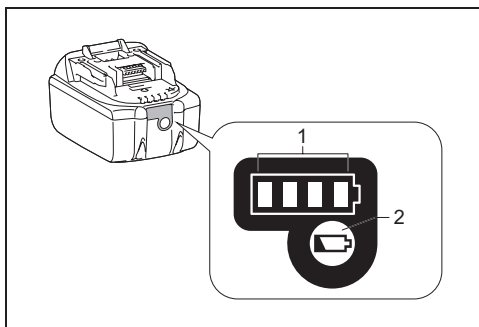
- Reduceret effekt, forvrængning, uregelmæssig lyd eller når både lavt batteri indikator og "POWERFAIL" vises på displayet, er alle tegn på, at hovedbatteripakken skal udskiftes.
- Når indikatoren for lavt batteri vises, og ordet "EMPTY" blinker, er det tid til at udskifte backupbatterierne.
- Batteripakken kan ikke oplades via den medfølgende netadapter.
- Batteripakken er ikke inkluderet som standardtilbehør.

## Montering eller fjernelse af skydebatteripakken (Fig. 4 og 5)

- Ved montering af batteripakken justeres tungen på batteripakken med rillen i huset, hvorefter pakken skubbes ind på plads. Sæt den altid hele vejen ind, indtil den låses på plads med et lille klik.
- Hvis den røde indikator øverst på knappen er synlig, er batteripakken ikke låst helt fast. Sæt den helt ind, indtil den røde indikator ikke er synlig. Ellers kan den falde ud af radioen og skade dig eller andre personer i nærheden.
- Brug ikke magt ved isætning af batteripakken. Hvis den ikke glider let ind, er den ikke indsat korrekt.
- For at fjerne batteripakken skal du skyde den ud af radioen, mens du benytter knappen på forsiden af pakken.

## Angivelse af den resterende batterikapacitet

\* Kun for batteripakker med "B" til sidst i modelnummeret.



## ➤ 1. Indikatorlamper 2. Tasto di controllo

Tryk på kontrolknappen på batteripakken for at få angivet den resterende batterikapacitet. Indikatorlamperne lyser i nogle få sekunder.

### • 14,4V/18V batterier

Indikatorlamper			Resterende kapacitet
Tændt	Slukket	Blinker	
■	□	▧	75% ~ 100%
■	■	■	
■	■	□	50% ~ 75%
■	□	□	25% ~ 50%
■	□	□	0% ~ 25%
▧	□	□	Lad batteriet op
■	■	□	Batteriet kan være defekt
□	□	■	

### • 10,8V-12V maks. batterier

Indikatorlamper			Resterende kapacitet
Tændt	Slukket	Blinker	
■	□	▧	75% ~ 100%
■	■	■	
■	■	□	50% ~ 75%
■	□	□	25% ~ 50%
■	□	□	0% ~ 25%

## BEMÆRK:

Afhængigt af betingelserne for anvendelse og den omgivende temperatur, kan indikationen dog afvige lidt fra den faktiske kapacitet.

## Installation af backup-batterier (Fig. 2 og 3)

Placeringen af backup-batterier inde i kabinettet forhindrer, at data i forudindstillingshukommelser går tabt.

1. Træk batterirummets låseenhed ud for at frigøre batterirummet. Der er et rum til hovedbatteriet og et rum til backup-batteriet.
2. Fjern dækslet til batterirummet og isæt 2 nye UM-3 (AA-størrelse). Sørg for at batterierne er isat med korrekt polaritet som vist inden i rummet. Sæt batteridækslet på igen.
3. Når backupbatterierne er sat i, skal du sætte hovedbatteripakken i for at strømforsyne radioen.

## Urug af den medfølgende vekselstrømsadapter

Fjern gummibeskyttelsen og sæt adapterstikket i jævnstrømsstikket på højre side af radioen. Sæt adapteren i en stikkontakt med netstrøm. Når adapteren bruges, afbrydes forbindelsen til batteripakken automatisk.

### ⚠ ADVARSEL:

- **Afbryd altid forbindelsen til netadapteren helt, inden du flytter radioen. Hvis forbindelsen til vekselstrømsadapteren ikke er fuldstændigt afbrudt, kan det forårsage elektrisk stød.**
- **Træk aldrig i adapterens ledning. Hvis man gør det kan radioen ved et uheld falde ned og forårsage skade på dig eller andre i nærheden.**

### VIGTIGT:

- Strømadapteren bruges til at forbinde radioen til strømforsyningsnettet. Den stikkontakt, der sluttes til radioen, skal forblive tilgængelig under normal brug.
- For at afbryde radioen, skal netadapteren fjernes helt fra stikkontakten.
- Brug udelukkende den netadapter der følger med produktet, eller som er angivet af Makita.
- Undlad at komme forsyningskabel eller stik i munden. Det kan medføre elektrisk stød.
- Undlad at berøre stikket med våde eller fedtede hænder.
- Beskadede eller sammenfiltrede ledninger øger risikoen for elektrisk stød. Hvis ledningen er beskadiget, skal den udskiftes af vores autoriserede servicecenter for at undgå en sikkerhedsrisiko. Brug den ikke før reparation.
- Efter brug skal du altid placere lysnetadapteren uden for børns rækkevidde. Hvis børn leger med ledningen, kan de komme til skade.

### Bemærk:

Hvis radioen oplever forstyrrelser på AM-båndet pga. adapteren, skal du flytte radioen mindst 30 cm væk fra vekselstrømsadapteren.

## Opladning med USB-strømforsyningsport

Der er en USB-port foran på radioen. Du kan oplade en USB-enhed via USB-porten.

1. Tilslut en USB-enhed, som f.eks. en MP3- eller CD-afspiller, med et USB-kabel, der fås i handlen.
2. Tryk på tænd/sluk-knappen for at tænde for din radio.
3. Uanset om radioen strømforsynes med vekselstrøm eller er batteridrevet, kan radioen oplade USB-enheden, når radioen er tændt og i FM-indstilling eller BT-indstilling, eller AUX-indstillingen der fremkommer, når der er tilsluttet en ekstern lydkilde.

### Bemærk:

- Du kan ikke oplade USB-enheder under AM-tilstand, for modtagelsen af radiosignaler bliver ekstremt dårlig, når du oplader USB-enheder.
- Den maksimale lydstyrke for højttalerens udgangseffekt reduceres, når din USB oplader.
- USB-stikket kan maksimalt levere en elektrisk strøm på 5V/2.4A.

### Vigtigt:

- Inden du tilslutter USB-enheden til USB-porten, skal du altid sikkerhedskopiere dataene på USB-enheden. Ellers er der mulighed for, at du kan miste dine data.
- Radioen forsyner muligvis ikke strøm til visse USB-enheder.
- Når den ikke anvendes eller efter opladning, skal du fjerne USB-kablet og lukke dækslet.
- Tilslut ikke nogen strømkilde til USB-porten. Ellers er der risiko for brand. USB-porten er kun beregnet til opladning af lavspændingsenhed. Placer altid dækslet på USB-porten, når lavspændingsenheden ikke oplades.
- Stik ikke søm, wire e.l. ind i USB- strømforsyningsporten. Ellers kan en kortslutning medføre røgudvikling og brand.
- Forbind ikke dette USB-stik med USB-porten på din computer, da det højst sandsynligt vil medføre sammenbrud på begge enheder.

## LYTTE TIL RADIOEN

### Scan tuning AM/FM

### Bemærk:

FM-antennen er indbygget i håndtaget. Når du betjener radioen, skal du placere håndtaget korrekt over radioen for at få bedre modtagelse. Hvis du benytter AM-båndet, skal du dreje radioen for at få det bedste signal, da AM-antennen er indbygget i radioen.

1. Tryk på tænd/sluk-knappen for at tænde for din radio.
2. Tryk på knappen Source (Kilde) for at vælge AM eller FM radiotilstand.
3. Tryk og hold tuning-kontrolknappen for at udføre en automatisk frekvensindstilling. Din radio vil scanne AM/FM-båndet fra den aktuelt viste frekvens og stoppe scanning automatisk, når den finder en station med

- tilstrækkelig styrke.
- Efter et par sekunder opdateres displayet. Displayet viser frekvensen af det fundne signal.
  - For at finde anden station skal man trykke på tuning-kontrolknappen og holde den inde ligesom før.
  - Når slutningen af frekvensbåndet er nået, vil din radio genoptage tuning fra den modsatte ende af frekvensbåndet.
  - Drej tuning-kontrolknappen for at justere lydniveauet efter behov.
- Bemærk:**
- Mens du justerer lydstyrken, skal du kontrollere, at FM/AM IKKE blinker på skærmen.
  - Hvis AM/FM blinker på skærmen, kan du indstille stationerne manuelt (se afsnittet "Manuel tuning - AM/FM" for flere detaljer).
  - Lydstyrken bør ikke være for høj. For at forhindre mulige høreskader må du ikke lytte ved høj lydstyrke i lange perioder.
- Tryk på tænd/sluk-knappen for at slukke for din radio.

## Manuel frekvensindstilling - AM/FM

- Tryk på tænd/sluk-knappen for at tænde for din radio.
- Tryk på knappen Source (Kilde) for at vælge AM eller FM radiotilstand.
- Tryk på Tuning-kontrolknappen, og du vil se, at FM eller AM blinker på displayet.

### Bemærk:

- FM/AM blinker ca. 10 sekunder. Inden for denne periode er kun manuel indstilling mulig.
  - Hvis du ønsker at foretage lydstyrkejustering mens FM/AM blinker, skal du trykke på Tuning-kontrolknappen for at få teksten på displayet til at holde op med at blinke, hvorefter du kan dreje Tuning-kontrolknappen for at justere lydniveauet.
- Drej Tuning-kontrolknappen for at indstille en station.
  - Når slutningen af frekvensbåndet er nået, vil din radio genoptage tuning fra den modsatte ende af frekvensbåndet.
  - Drej Tuning-kontrolknappen for at justere lydniveauet efter behov.

## Forudindstillingsstationer i AM/FM-tilstand

Der er 5 forudindstillede stationer for AM-radio og 5 for FM-radio. De bruges på samme måde for hvert frekvensbånd.

- Tryk på tænd/sluk-knappen for at tænde for din radio.
- Tryk på Source-knappen for at vælge det ønskede frekvensbånd. Indstil den ønskede radiostation som tidligere beskrevet.
- Tryk på den ønskede forudindstillingsknap og hold den inde (1 til 5), indtil displayet viser "P4" f.eks. efter frekvensen. Stationen gemmes ved hjælp af forudindstillingsnummeret. Gentag denne efter behov procedure for de resterende forudindstillinger.

- Forvalgte stationer, der allerede er lagret, kan om nødvendigt overskrives ved at følge ovenstående procedure.

## Displaytilstande – FM

Din radio har en række displayindstillinger for FM-radio. Tryk gentagne gange på Menu/Info-knappen for at se RDS-oplysningerne for den station, du lytter til.

- |                 |  |
|-----------------|--|
| a. Stationsnavn | viser navnet på den station, der lyttes til.                               |
| b. Programtype  | viser hvilken type station der lyttes til, f.eks. Pop, Classic, News, osv. |
| c. Radiotekst   | viser radiotekstmeddelelser såsom nye elementer mv.                        |
| d. År/dag       | viser år og dag i ugen i henhold til datoindstillingen på radioen.         |
| e. Dato/dag     | viser dato og dag i ugen i henhold til datoindstillingen på radioen.       |
| f. EQ-tilstand  | viser EQ-tilstanden for FM for den station, der lyttes til.                |
| g. Frekvens     | viser frekvensen for den FM-station, der lyttes til.                       |

## FM stereo (auto)/mono

Hvis den FM-radiostationen, der lyttes til, har et svagt signal, kan man høre en vis susen. Det er muligt at reducere denne susen ved at indstille radioen til at afspille stationen i mono i stedet for stereo.

- Tryk på knappen Source (Kilde) efter behov for at vælge FM-båndet og indstil frekvensen til den ønskede FM-station som tidligere angivet.
- Tryk på Menu/Info-knappen og hold den inde for at åbne menuindstillingen.
- Drej Tuning-kontrolknappen, indtil indstillingen "FM AUTO (eller MONO)" vises på displayet. Hvis indstillingen er Auto, skal du trykke på Tuning-kontrolknappen og derefter dreje Tuning-kontrolknappen for at skifte til Mono-tilstand for at reducere den susende støj. Tryk på Tuning-kontrolknappen for at vælge indstillingen.

## Åbne en forudindstilling i AM/FM-tilstand

- Tryk på tænd/sluk-knappen for at tænde for din radio.
- Tryk på knappen Source (Kilde) for at vælge AM eller FM radiotilstand
- Tryk kortvarigt på den ønskede forudindstillingsknap for at indstille til din radio til en af de stationer, der er gemt i forudindstillingshukommelsen.

## DIVERSE INDSTILLINGER

### Indstilling af tid og datoformat

Den tidsvisning, der anvendes i standby-tilstand og i skærme for afspilningstilstand, kan indstilles til forskellige formater. Det valgte format bruges derefter også, når

alarmerne indstilles.

1. Tryk på Menu/Info-knappen og hold den inde for at åbne menuindstillingen.
2. Drej Tuning-kontrolknappen, indtil "CLOCK xxH" vises på displayet, og tryk på Tuning-kontrolknappen for at åbne indstillingen. Du vil se, at tidsformatet begynder at blinke.
3. Drej Tuning-kontrolknappen for at vælge enten 12 eller 24 timers format. Tryk på Tuning-kontrolknappen for at bekræfte dit valg af urformat.

**Bemærk:**

Hvis 12 timers urformat er valgt, bruger radioen derefter et 12 timers ur for indstillingen.

4. Tryk på Menu/Info-knappen og hold den inde for at åbne menuindstillingen.
5. Drej Tuning-kontrolknappen, indtil en dato (f.eks. THU APR 3) vises på displayet, og tryk på Tuning-kontrolknappen for at åbne indstillingen. Du vil se, at datoformatet begynder at blinke.
6. Drej Tuning-kontrolknappen for at vælge det ønskede datoformat. Tryk på Tuning-kontrolknappen for at bekræfte dit valg.

## Indstilling af klokkeslæt og dato

1. Tryk på knappen Menu/Info og hold den inde.
2. Drej Tuning-kontrolknappen, indtil "CLOCK ADJ" vises på displayet. Tryk på knappen frekvensjustering for at åbne indstillingen.
3. Time-indstillingen på displayet begynder at blinke. Drej Tuning-kontrolknappen for at vælge den ønskede time, og tryk på Tuning-kontrolknappen for at bekræfte indstillingen. Drej derefter Tuning-kontrolknappen for at vælge det ønskede minut, og tryk på Tuning-kontrolknappen for at bekræfte indstillingen.
4. Drej Tuning-kontrolknappen, indtil "DATE ADJ" vises på displayet. Tryk på Tuning-kontrolknappen for at åbne indstillingen.
5. Drej Tuning-kontrolknappen for at vælge det ønskede år, og tryk på Tuning-kontrolknappen for at bekræfte indstillingen. Drej derefter Tuning-kontrolknappen for at vælge den ønskede måned, og tryk på Tuning-kontrolknappen for at bekræfte indstillingen. Drej derefter Tuning-kontrolknappen for at vælge den ønskede dato, og tryk på Tuning-kontrolknappen for at bekræfte indstillingen.

## Radio Data System (RDS)

Når du indstiller klokkeslættet med RDS-funktionen, synkroniserer din radio sit klokkeslæt, hver gang den indstilles til en radiostation det benytter RDS med CT-signaler.

1. Ved indstilling til en station, der sender RDS-data, vises RDS-symbolet på displayet. Tryk på knappen Menu/Info og hold den inde.
2. Drej Tuning-kontrolknappen, indtil "RDS CT" og et ur-symbol vises på displayet. Tryk på Tuning-

kontrolknappen for at åbne indstillingen.

3. Drej Tuning-kontrolknappen, indtil "RDS CT" vises på displayet. Tryk på Tuning-kontrolknappen for at bekræfte indstillingen. Radioens klokkeslæt indstilles automatisk i overensstemmelse med de modtagne RDS-data.

**Bemærk:**

- Radioens klokkeslæt er gyldigt i 5 dage hver gang radiotiden synkroniseres med RDS CT.
- For at deaktivere RDS CT-funktionen, skal man gå tilbage til trin 1 til 2 og derefter dreje Tuning-kontrolknappen for at vælge indstillingen "MANUAL". Tryk på Tuning-kontrolknappen for at bekræfte indstillingen.

## Indstilling af vækkeuret

Din radio har to alarmer, som hver især kan indstilles til at vække dig til AM/FM radio eller summer alarm. Alarmerne kan indstilles, mens enheden er i standby eller under afspilning.

**Bemærk:**

Sørg for, at klokkeslættet er indstillet korrekt, før alarmerne indstilles. Hvis der ikke trykkes på nogen knapper i 10 sekunder, afbryder radioen alarmindstillingen.

**a. Indstilling af radioalarmtid:**

1. Radioen kan indstilles, enten når radioen er tændt eller slukket.
2. Tryk og hold på alarmknappen, radioalarmsymbolet og displayet vil blinke samtidig med at der lyder et bip.
3. Mens radioalarm-symbolet blinker skal man dreje Tuning-kontrolknappen for at vælge den ønskede time, og derefter trykke på Tuning-kontrolknappen igen for at bekræfte time-indstillingen. Drej derefter Tuning-kontrolknappen for at vælge minuttet, og tryk på Tuning-kontrolknappen for at bekræfte minut-indstillingen.
4. Drej Tuning-kontrolknappen, og displayet viser frekvensindstillingerne for alarmen. Alarmindstillingerne er som følger:  
ONCE - alarmen lyder en gang  
DAILY - alarmen lyder hver dag  
WEEKDAY - alarmen lyder kun på hverdage  
WEEKEND - alarmen lyder kun i weekenderne  
Tryk på Tuning-kontrolknappen for at bekræfte indstillingen.
5. Mens radioalarm-symbolet blinker skal man dreje Tuning-kontrolknappen for at vælge det ønskede bånd og den ønskede station, og derefter trykke på Tuning-kontrolknappen for at bekræfte valget.
6. Drej Tuning-kontrolknappen for at vælge det lydstyrke, og tryk på Tuning-kontrolknappen for at bekræfte lydstyrken. Indstillingen af radioalarmen er nu gennemført.

**Bemærk:**

- Hvis en ny radioalarmstation ikke vælges, vælges den sidste alarmstation automatisk.
- Hvis den valgte AM/FM-alarmstation ikke er tilgængelig,



når alarmer lyder, bruges summeralarmen i stedet.

### b. Indstilling af HWS (Humane Wake System - Menneske-vækkesystem) summeralarm:

En biptone aktiveres, når du vælger HWS-summeralarm. Alarmsignalet lyder mere kortvarigt hvert 15. sekund i et minut efterfulgt af et minuts stilhed, inden denne cyklus gentages.

1. Summer-armen kan indstilles, enten når radioen er tændt eller slukket.
2. Tryk og hold på alarmknappen, summeralarm-symbolet og displayet vil blinke samtidig med at der lyder et bip.
3. Mens summeralarm-symbolet blinker skal man dreje Tuning-kontrolknappen for at vælge den ønskede time, og derefter trykke på Tuning-kontrolknappen igen for at bekræfte time-indstillingen. Drej derefter Tuning-kontrolknappen for at vælge minuttet, og tryk på Tuning-kontrolknappen for at bekræfte minut-indstillingen.
4. Drej Tuning-kontrolknappen, og displayet viser frekvensindstillingerne for alarmer. Alarmindstillingerne er som følger:  
ONCE - alarmer lyder en gang  
DAILY - alarmer lyder hver dag  
WEEKDAY - alarmer lyder kun på hverdage  
WEEKEND - alarmer lyder kun i weekenderne.  
Tryk på Tuning-kontrolknappen for at bekræfte indstillingen.

#### Bemærk:

Der er ingen lydstyrkejustering for summeralarmen.

### Stoppe alarmlyden

For at annullere en lydalarm skal man trykke på tænd/sluk-knappen.

### Deaktivere alarmindstillingen

For at deaktivere alarmindstillingen før alarmer lyder, skal du trykke på den tilsvarende alarmknap og holde den inde, indtil alarmsymbolet forsvinder på displayet.

### Udsæt

1. Når alarmer lyder, kan den gøres lydløs i 5 minutter ved at man trykker på en anden knap end strømknappen. "SNOOZE" vises på displayet.
2. For at justere stilhedstiden for snooze-timeren skal man trykke på Menu/Info-knappen og holde den inde for at åbne menuindstillingen.
3. Drej Tuning-kontrolknappen, indtil "SNOOZE X" vises på displayet, og tryk på Tuning-kontrolknappen for at åbne indstillingen. Drej Tuning-kontrolknappen for at indstille stilhetiden fra 5, 10, 15 og 20 minutter for snooze-timeren.
4. For at annullere snooze-timeren mens alarmer er midlertidigt afbrudt, skal du trykke på tænd/sluk-knappen.

### Sleep timer

Din radio kan indstilles til at slukke automatisk, efter at en

forudindstillet tid er forløbet. Indstillingen Sleep Timer kan indstilles til 60, 45, 30, 15, 120 og 90 minutter.

1. Tryk på tænd/sluk-knappen og hold den inde for at åbne Sleep Timer-indstillingen. "SLEEP XX" vises på displayet.
2. Hold tænd/sluk-knappen inde, og indstillingerne for Sleep timer begynder at skifte på displayet. Stop, indtil den ønskede Sleep Timer-indstilling vises på displayet. Indstillingen gemmes, og LCD-skærmen vender tilbage til normal visning.
3. Din radio slukker automatisk, når den forudindstillede Sleep timer (Slumre-timer) er forløbet. Sleep timer-ikonet vises på displayet, hvilket angiver en aktiv Sleep Timer.
4. For at annullere Sleep Timer-funktionen inden den forudindstillede tid er gået, skal du blot trykke på tænd/sluk-knappen for at slukke for apparatet manuelt.

### Loudness

Du kan kompensere lavere og højere lydfrekvenser på radioen ved at justere loudness-funktionen.

1. Tryk på Menu/Info-knappen og hold den inde for at åbne menuindstillingen.
2. Drej Tuning-kontrolknappen, indtil "LOUD ON" eller "LOUD OFF" vises på displayet. Tryk på Tuning-kontrolknappen for at åbne indstillingen.
3. Drej Tuning-kontrolknappen, og vælg ON for at slå loudness-funktionen til, og tryk derefter på Tuning-kontrolknappen for at bekræfte indstillingen.
4. For at slå loudness-funktionen fra skal du vælge OFF og trykke på Tuning-kontrolknappen for at bekræfte indstillingen.

### Equalizer-funktion

Der er 7 typer farvede LED-indikatorer rundt om tuning-kontrolknappen, som angiver forskellige EQ-tilstande.

1. Tryk på tænd/sluk-knappen for at tænde for din radio.
2. Tryk på EQ-kontrolknappen for at åbne EQ-indstillingsmenuen.
3. Drej Tuning-kontrolknappen for at vælge den ønskede tilstand. Tryk derefter på Tuning-kontrolknappen for at bekræfte valget.

EQ-tilstand	LED-indikator
FLAD	Hvid
JAZZ	Blå
ROCK	Rød
KLASSISK	Brun
POP	Lysrød
NYHEDER	Gul
MY EQ	Grøn

### Konfigurer My EQ-profil

1. Tryk på EQ-kontrolknappen for at åbne EQ-indstillingsmenuen.
2. Drej Tuning-kontrolknappen for at vælge "MY EQ".

- Tryk derefter på Tuning-kontrolknappen for at åbne indstillingen for "BASS" (BAS).
3. Drej Tuning-kontrolknappen for at vælge det ønskede basniveau. Tryk på Tuning-kontrolknappen for at åbne indstillingen for "MIDDLE" (MELLEM).
  4. Drej Tuning-kontrolknappen for at vælge det ønskede mellemtoneniveau. Tryk på Tuning-kontrolknappen for at åbne indstillingen for "TREBLE" (DISKANT).
  5. Drej Tuning-kontrolknappen for at vælge det ønskede diskantniveau. Tryk på Tuning-kontrolknappen for at bekræfte indstillingen.

**Bemærk:**

- Når du bruger equalizer til at forstærke bassen og afspiller med højt lydniveau, kan det forårsage knitrende og forvrænget lyd. I dette tilfælde skal du indstille en mere passende lydstyrke.

## LYTTE TIL MUSIK VIA BLUETOOTH-STREAMING

Du skal parre din Bluetooth-enhed med radio, før du automatisk kan oprette forbindelse og afspille/streamer Bluetooth-musik gennem radio. Parring skaber en 'tilknytning', så to enheder kan genkende hinanden.

**Bemærk:**

- For at få bedre lyd kvalitet anbefaler vi, at man indstiller lydstyrken til mere end to tredjedele af fuld lydstyrke på Bluetooth-enheden og derefter juster lydstyrken på radioen efter behov.
- Din radio kan huske op til 8 sæt af parrede enheder. Når antallet overstiger dette, vil den først parrede enhed blive slettet fra hukommelsen.

### Parring af din Bluetooth-enhed for første gang

1. Tryk på tænd/sluk-knappen for at tænde for radioen. Tryk på kildeknapen for at vælge Bluetooth-tilstand. "BT PAIR" og "PAIR" blinker på displayet.
2. Aktivér Bluetooth på enheden i henhold til enhedens brugermanual for at oprette forbindelse til radio. Find Bluetooth-enhedslisten og vælg enheden med navnet "DMR114". (Med nogle mobilere som er udstyret med versioner, der er tidligere end BT2.1 Bluetooth-enhed, skal du muligvis indtaste koden "0000").
3. Når der er oprettet forbindelse, vil der lyde en bekræftelsestone. "BLUETOOTH" forbliver på displayet, og baggrundsbelysningen dæmpes efter 10 sekunder. Du kan nu vælge og afspille musik fra din kildeenhed. Lydstyrken kan justeres fra din kildeenhed eller direkte på radioen.
4. Brug knapperne på din Bluetooth-aktiverede enhed eller på radioen til at afspille/pause og navigere mellem numre.

**Bemærk:**

- Hvis der er tale om 2 Bluetooth-enheder, som skal

parres for første gang, kan du søge efter radioen på dem begge, den vil være tilgængelig på begge enheder. Men hvis den ene enhed opretter forbindelse med denne enhed først, vil den ikke være at finde den på listen på den anden Bluetooth-enhed.

- Hvis din Bluetooth-enheds forbindelse til din radio midlertidigt afbrydes, skal du genoprette enhedens forbindelse til radioen manuelt.
- Hvis "DMR114" vises i din Bluetooth-enheds liste, men enheden ikke kan oprette forbindelse til den, skal du slette elementet fra listen og parre enheden med radioen igen ved at følge de trin, som er beskrevet ovenfor.
- Den optimale Bluetooth-rækkevidde er ca. 10 meter (uden hindringer) til radioen, men en afstand på op til 30 meter er mulig.
- Hvis Bluetooth-forbindelsen går tabt på grund af overskridelse af den optimale rækkevidde, forhindringer eller andre årsager, kan det være nødvendigt at tilslutte enheden til radioen igen.
- Fysiske hindringer, andre trådløse enheder eller elektromagnetiske enheder kan påvirke forbindelseskvaliteten.
- Bluetooth-forbindelsens ydelse kan variere afhængigt af de tilsluttede Bluetooth-enheder. Undersøg enhedens Bluetooth-funktionalitet, inden du slutter den til din radio. Det er måske ikke alle funktioner der understøttes på visse parrede Bluetooth-enheder.

### Afspilning af lydfiler i Bluetooth-tilstand

Når du har oprettet forbindelse mellem radioen og den valgte Bluetooth-enhed, kan du begynde at afspille din musik ved hjælp af knapperne på din tilsluttede Bluetooth-enhed.

1. Når afspilning er begyndt, kan man justere lydstyrken til det ønskede niveau med lydstyrke-knapperne på radioen eller på den aktiverede Bluetooth-enhed.
2. Brug kontrollerne på din Bluetooth-kilde enhed til at afspille/pause og navigere i numre. Du kan også styre afspilningen ved hjælp af knapperne afspilning/pause, næste spor, tidligere spor på din radio .
3. Tryk og hold på knappen Næste spor eller Forrige spor for at spole gennem det aktuelle spor. Slip knappen, når det ønskede punkt er nået.

**Bemærk:**

- Nogle afspillere eller enheder reagerer muligvis ikke på alle disse kontroller.
- Nogle mobiltelefoner afbryder midlertidigt forbindelsen til din radio, når du foretager eller modtager opkald. Nogle enheder dæmper midlertidigt deres Bluetooth-lydafspilning, når de modtager SMS-besked, e-mails eller af andre grunde, som ikke er relateret til lyd streaming. Sådanne effekter stammer fra den tilsluttede enhed, og indikerer ikke at der er noget i vejen med din radio.

## Afspilning af en tidligere parret Bluetooth-kildeenhed

Hvis din Bluetooth-enhed allerede er blevet parret med radioen tidligere, vil enheden huske din Bluetooth-enhed, og den vil forsøge at genoprette forbindelsen med en enhed i hukommelsen, som tidligere er blevet tilsluttet. Hvis den senest tilsluttede enhed ikke er tilgængelig, vil radioen være synlig for andre Bluetooth-enheder.

## Afbrydelse af forbindelsen til din Bluetooth-enhed

Tryk på og hold Bluetooth-pardannelsesknapen i 2-3 sekunder indtil "BT PAIR" vises på displayet, eller sluk for Bluetooth på Bluetooth-enheden for at deaktivere forbindelsen.

Du kan også trykke på Source-knappen for at vælge en anden tilstand end Bluetooth-tilstand for at deaktivere forbindelsen.

## Sletning af enhedshukommelse for Bluetooth-pardannelse

For at rydde hukommelsen for alle parrede enheder skal du trykke på Bluetooth-parringsknappen og holde den inde i mere end 5 sekunder, indtil "CLEARING" vises på displayet.

## Sletning af enhedshukommelse for Bluetooth-pardannelse

En 3,5 mm AUX-indgang findes på forsiden af radioen. Den kan bruges til at overføre signaler fra en ekstern lydenhed som f.eks. en mp3- eller cd-afspiller.

1. Tilslut en ekstern lydkilde (for eksempel MP3 eller CD-afspiller) til AUX IN-stikket.
2. Tryk på tænd/sluk-knappen for at tænde for din radio.
3. Tryk på og slip gentagne gange kildeknappen, indtil "AUX IN" vises.
4. For at få bedre lyd kvalitet anbefaler vi, at man indstiller lydstyrken til mere end to tredjedele af fuld lydstyrke på enheden og juster derefter lydstyrken på radioen efter behov.

### Bemærk:

Lydkablet er ikke inkluderet som standardtilbehør.

## VEDLIGEHOELDELSE

### ⚠ FORSIGTIG:

- Brug aldrig benzin, benzen, fortynder, alkohol eller lignende. Det kan muligvis medføre misfarvning, deformation eller revner.
- Vask ikke radioen med vand.

## SPECIFIKATIONER

Strømkrav	
Vekselstrømsadapter	DC 12 V 2.5A, centerben positivt
Batteri	UM-3 (AA-størrelse) x2 til backup Skyder-batteri: 10,8V - 18V
Frekvensdækning	FM87,50-108MHz (0,05 MHz/trin) AM (MW) 522-1,710kHz (9 kHz/trin)

Bluetooth®	
(Bluetooth®-ordmærket og logoerne er registrerede varemærker ejet af Bluetooth SIG, Inc.)	
Bluetooth-version	5.0 certificeret
Bluetooth-profiler	A2DP/SCMS-T/AVRCP
Sendekraft	Effektklasse 2
Senderækkevidde	Optimal: Maks. 10 meter (33 fod) Mulig: Maks. 30 meter (100 fod) (varierer afhængigt af brugsbetingelserne)
Understøttet codec	SBC
Kompatibel Bluetooth-profil	A2DP/AVRCP
Maksimal radiofrekvens-effekt:	BT EDR: 3.91dBm
Driftsfrekvens	2402MHz~2480MHz

Kredsløbsfunktion	
Højttaler	2.5 tommers 8 ohm x2 4 tommers 6 ohm x1
Udgangseffekt	10.8V-12V maks: 2W x2 +10W 14.4V: 3W x2 +15W 18V: 5W x2 + 25W
Indgangsterminal	3,5 mm dia. (AUX IN)
Antennesystem	FM: Indbygget antenne AM: stang-antenne
Mål (L x B x H)	268 x 164 x 295 mm
Vægt	4.9 KG (uden batteri)



Μόνο για τις χώρες της ΕΕ  
Μην πετάτε ηλεκτρικό εξοπλισμό ή μπαταρίες μαζί με τα οικιακά απορρίμματα! Σε συμμόρφωση με τις Ευρωπαϊκές οδηγίες, σχετικά με τα απόβλητα ηλεκτρικού και ηλεκτρονικού εξοπλισμού και μπαταριών και συσσωρευτών και αποβλήτων μπαταριών και συσσωρευτών και την εφαρμογή τους σύμφωνα με τις εθνικές νομοθεσίες, ο ηλεκτρικός εξοπλισμός και οι μπαταρίες και οι συστοιχίες συσσωρευτών που έχουν φθάσει στο τέλος της ζωής τους πρέπει να συλλέγονται χωριστά και να επιστρέφονται σε Περιβαλλοντικά συμμορφούμενη εγκατάσταση ανακύκλωσης.

## ΕΠΕΞΗΓΗΣΗ ΤΗΣ ΓΕΝΙΚΗΣ ΟΨΗΣ(Εικ. 1)

1. Ενσωματωμένη κεραία (AM)
2. Λαβή/Ενσωματωμένη κεραία (FM)
3. Ντουλάπι θήκης μπαταρίας
4. Κάλυμμα θήκης μπαταρίας (κάλυψη της κασέτας μπαταρίας)
5. Ηχείο
6. Υποδοχή DC IN
7. Subwoofer
8. Κουμπί χρονοδιακόπτη λειτουργίας/αναστολής λειτουργίας
9. Κουμπί πηγής
10. Κουμπί ειδοποίησης ραδιοφώνου
11. Κουμπί βομβητή ειδοποίησης
12. Κουμπί προεπιλογής 3/Αναπαραγωγή/Παύση
13. Κουμπί προεπιλογής 5
14. Κουμπί προεπιλογής 4/Επόμενο κομματιού
15. Κουμπί Έντασης ήχου/Συντονισμού/Επιλογής
16. Κουμπί ελέγχου EQ
17. Υποδοχή AUX IN
18. Θύρα τροφοδοσίας USB
19. Κουμπί Μενού/Πληροφοριών
20. Ένδειξη LED λειτουργίας EQ
21. Κουμπί προεπιλογής 2/Προηγούμενου κομματιού
22. Προεπιλογή 1/Κουμπί αντιστοίχισης Bluetooth
23. Οθόνη LCD
24. Χώρος μπαταρίας
25. Χώρος εφεδρικών μπαταριών

## ΟΘΟΝΗ LCD

- A. Ειδοποίηση ραδιοφώνου
- B. Βομβητής ειδοποίησης
- C. Σύμβολο στέρεο
- D. Ένδειξη χαμηλής μπαταρίας
- E. Ρολόι
- F. Συχνότητα
- G. RDS (Σύστημα Δεδομένων Ραδιοφώνου)
- H. Εικονίδιο χρονοδιακόπτη αναστολής
- I. MM για ρολόι

## Σύμβολα

Τα παρακάτω παρουσιάζουν τα σύμβολα που χρησιμοποιούνται για τη συσκευή. Βεβαιωθείτε ότι κατανοείτε τη σημασία τους πριν από τη χρήση.

## ΣΗΜΑΝΤΙΚΕΣ ΟΔΗΓΙΕΣ ΑΣΦΑΛΕΙΑΣ

### ⚠ ΠΡΟΕΙΔΟΠΟΙΗΣΗ:

Όταν χρησιμοποιείτε ηλεκτρικά εργαλεία, πρέπει πάντοτε να ακολουθείτε όλες τις βασικές προφυλάξεις ασφαλείας, για να μειώσετε τον κίνδυνο πυρκαγιάς, ηλεκτροπληξίας ή ατομικού τραυματισμού, περιλαμβανομένων αυτών που περιγράφονται στη συνέχεια:

1. Διαβάστε προσεκτικά αυτό το εγχειρίδιο οδηγιών και το εγχειρίδιο οδηγιών του φορτιστή πριν από τη χρήση.
2. Καθαρίστε μόνο με στεγνό πανί.
3. Μην εγκαταστήσετε κοντά σε πηγές θερμότητας όπως καλοριφέρ, ανοίγματα εκροής θερμού αέρα, σύμπτες ή άλλες συσκευές (συμπεριλαμβανομένων ενισχυτών) που παράγουν θερμότητα.
4. Χρησιμοποιείτε μόνο εξαρτήματα/αξεσουάρ που καθορίζονται από τον κατασκευαστή.
5. Αποσυνδέτε τη συσκευή κατά τη διάρκεια καταγίδων με κερανούς ή όταν δεν πρόκειται να τη χρησιμοποιήσετε για μεγάλο χρονικό διάστημα.
6. Ένα ραδιόφωνο που λειτουργεί με ενσωματωμένες μπαταρίες ή με ξεχωριστή κασέτα μπαταρίας, πρέπει να επαναφορτίζεται μόνο με τον καθορισμένο φορτιστή για την μπαταρία. Ένας φορτιστής που είναι κατάλληλος για ένα τύπο μπαταρίας μπορεί να προκαλέσει τον κίνδυνο πυρκαγιάς εάν χρησιμοποιηθεί σε ένα άλλο τύπο μπαταρίας.
7. Όταν το ραδιόφωνο λειτουργεί με μπαταρίες χρησιμοποιήστε μόνο τις ειδικά καθορισμένες κασέτες μπαταριών. Η χρήση οποιονδήποτε άλλων μπαταριών μπορεί να δημιουργήσει τον κίνδυνο πυρκαγιάς.

8. Όταν η κασέτα μπαταρίας δεν χρησιμοποιείται, φυλάξτε τη μακριά από άλλα μεταλλικά αντικείμενα, όπως συνδετήρες, νομίσματα, κλειδιά, καρφιά, βίδες ή άλλα μικρά μεταλλικά αντικείμενα, τα οποία μπορούν να δημιουργήσουν σύνδεση από τον ένα πόλο στον άλλο. Το βραχυκύκλωμα των ακροδεκτών της μπαταρίας μπορεί να προκαλέσει εγκαύματα ή πυρκαγιά.
9. Αποφεύγετε την επαφή του σώματος με γειωμένες επιφάνειες, όπως σωλήνες, καλοριφέρ, φούρνους και ψυγεία. Υπάρχει αυξημένος κίνδυνος για πρόκληση ηλεκτροπληξίας εάν το σώμα σας είναι γειωμένο.
10. Σε ακραίες συνθήκες μπορεί να πεταχτεί έξω το υγρό της μπαταρίας, αποφύγετε την επαφή μαζί του. Εάν συμβεί τυχαία επαφή, ξεπλύνετε με νερό. Αν το υγρό έρθει σε επαφή με τα μάτια, επιπλέον ζητήστε ιατρική βοήθεια. Το υγρό που εκτοξεύεται από την μπαταρία μπορεί να προκαλέσει ερεθισμό ή εγκαύματα.
11. Μην χρησιμοποιείτε το πακέτο μπαταριών ή εργαλείο που έχει καταστραφεί ή τροποποιηθεί. Οι κατεστραμμένες ή τροποποιημένες μπαταρίες ενδέχεται να παρουσιάσουν απρόβλεπτη συμπεριφορά με αποτέλεσμα πυρκαγιά, έκρηξη ή κίνδυνο τραυματισμού.
12. Μην εκθέτετε ένα πακέτο μπαταριών ή εργαλείο σε φωτιά ή υπερβολική θερμοκρασία. Η έκθεση σε φωτιά ή θερμοκρασία άνω των 130 °C (266 °F) μπορεί να προκαλέσει έκρηξη.
13. Ακολουθήστε όλες τις οδηγίες φόρτισης και μην φορτίζετε το πακέτο μπαταριών ή το εργαλείο εκτός του εύρους θερμοκρασίας που καθορίζεται στις οδηγίες. Η λανθασμένη φόρτιση ή σε θερμοκρασίες εκτός του καθορισμένου εύρους μπορεί να καταστρέψει την μπαταρία και να αυξήσει τον κίνδυνο φωτιάς.
14. Το βύσμα κεντρικής τροφοδοσίας χρησιμοποιείται ως συσκευή αποσύνδεσης, και θα παραμείνει λειτουργική.
15. Μην χρησιμοποιείτε το προϊόν σε υψηλή ένταση για μεγάλο χρονικό διάστημα. Για να αποφύγετε βλάβες της ακοής, χρησιμοποιήστε το προϊόν σε μέτρια επίπεδα έντασης ήχου.
16. (Για προϊόντα με οθόνη LCD μόνο) Οι οθόνες LCD περιλαμβάνουν υγρό που μπορεί να προκαλέσει ερεθισμό και δηλητηρίαση. Εάν το υγρό εισχωρήσει στα μάτια, το στόμα ή το δέρμα, ξεπλύνετε με νερό και καλέστε γιατρό.
17. Μην εκθέτετε το προϊόν σε βροχή ή σε υγρές συνθήκες. Η διείσδυση νερού στο προϊόν θα αυξήσει τον κίνδυνο ηλεκτροπληξίας.
18. Το προϊόν αυτό δεν προορίζεται για χρήση από άτομα (συμπεριλαμβανομένων παιδιών) με μειωμένες σωματικές, αισθητηριακές ή διανοητικές ικανότητες ή έλλειψη εμπειρίας και γνώσης, εκτός εάν τους

παρασχεθούν επίβλεψη ή οδηγίες σχετικά με τη χρήση του προϊόντος από άτομο υπεύθυνο για την ασφάλειά τους. Τα παιδιά θα πρέπει να επιβλέπονται για να βεβαιωθείτε ότι δεν παίζουν με το προϊόν. Αποθηκεύστε το προϊόν μακριά από παιδιά.

## ΦΥΛΑΞΤΕ ΑΥΤΕΣ ΤΙΣ ΟΔΗΓΙΕΣ

### ΕΙΔΙΚΟΙ ΚΑΝΟΝΕΣ ΑΣΦΑΛΕΙΑΣ ΓΙΑ ΤΗΝ ΜΠΑΤΑΡΙΑ

1. Πριν χρησιμοποιήσετε την μπαταρία, διαβάστε όλες τις οδηγίες και τις ενδείξεις προφύλαξης (1) στο φορτιστή μπαταρίας, (2) τη μπαταρία, και (3) στο προϊόν που χρησιμοποιεί την μπαταρία.
2. Μην αποσυναρμολογείτε την μπαταρία.
3. Αν ο χρόνος λειτουργίας έχει γίνει υπερβολικά σύντομος, διακόψτε αμέσως τη λειτουργία. Καθώς αυτό μπορεί να οδηγήσει σε κίνδυνο υπερθέρμανσης, πιθανά εγκαύματα και ακόμη και μια έκρηξη.
4. Σε περίπτωση επαφής ηλεκτρολύτη με τα μάτια σας, ξεπλύνετε τα με καθαρό νερό και ζητήστε αμέσως ιατρική βοήθεια. Η επαφή ηλεκτρολύτη με τα μάτια μπορεί να οδηγήσει σε απώλεια όρασης.
5. Μην βραχυκυκλώνετε την μπαταρία:
  - 1) Μην αγγίζετε τους ακροδέκτες με αγώγιμα υλικά.
  - 2) Μην αποθηκεύετε την μπαταρία σε κιβώτιο με άλλα μεταλλικά αντικείμενα, όπως καρφιά, νομίσματα, κλπ.
  - 3) Μην εκθέτετε την μπαταρία σε νερό ή βροχή. Ενα βραχυκύκλωμα μπαταρίας μπορεί να προκαλέσει μεγάλη ροή ρεύματος, υπερθέρμανση, πιθανά εγκαύματα ή ακόμη και βλάβη.
6. Μην αποθηκεύετε το εργαλείο και την μπαταρία σε μέρος όπου η θερμοκρασία μπορεί να φτάσει ή να ξεπεράσει τους 50°C (122°F)
7. Μην καίτε την μπαταρία, ακόμη και εάν έχει σοβαρή ζημιά ή είναι εντελώς αποφορτισμένη. Η μπαταρία μπορεί να εκραγεί σε φωτιά.
8. Προσέχετε να μην ρίχνετε ή χτυπάτε τη μπαταρία.
9. Μην χρησιμοποιείτε μια μπαταρία που έχει υποστεί ζημιά.
10. Προς αποφυγή κινδύνων, πρέπει να διαβάσετε το εγχειρίδιο των ανταλλακτικών μπαταριών πριν από τη χρήση. Και το μέγιστο ρεύμα αποφόρτισης της μπαταρίας πρέπει να είναι μεγαλύτερο ή ίσο με 8A.
11. Οι περιεχόμενες μπαταρίες ιόντων λιθίου υπόκεινται στις απαιτήσεις της νομοθεσίας περί επικινδύνων εμπορευμάτων. Για τις εμπορικές μεταφορές, π.χ. από τρίτους, μεταφορείς, πρέπει να τηρούνται ειδικές απαιτήσεις στη συσκευασία και την επισήμανση. Για την προετοιμασία του αντικειμένου που

μεταφέρεται, απαιτείται να συμβουλευτείτε εμπειρογνώμονα για επικίνδυνα υλικά. Παρακαλούμε επίσης να τηρείτε την ενδεχομένως λεπτομερέστερη εθνική νομοθεσία.

Καλύψτε με ταινία ή απομονώστε τις ανοιχτές επαφές και συσκευάστε την μπαταρία με τέτοιο τρόπο ώστε να μην μπορεί να μετακινηθεί στη συσκευασία.

12. Ακολουθήστε τους τοπικούς κανονισμούς σχετικά με τη διάθεση των μπαταριών.
13. Χρησιμοποιείτε τις μπαταρίες μόνο με τα προϊόντα που ορίζει η Makita. Η τοποθέτηση των μπαταριών σε μη συμμορφούμενα προϊόντα ενδέχεται να προκαλέσει πυρκαγιά, υπερβολική έκλυση θερμότητας, έκρηξη, ή διαρροή ηλεκτρολύτη.

#### **⚠ ΠΡΟΣΟΧΗ:**

- **Κίνδυνος έκρηξης αν η μπαταρία αντικατασταθεί εσφαλμένα.**
- **Αντικαταστήστε μόνο με τον ίδιο ή ισοδύναμο τύπο.**
- **Χρησιμοποιείτε μόνο γνήσιες μπαταρίες Makita.**  
Η χρήση μπαταριών που δεν είναι γνήσιες Makita ή μπαταριών που έχουν αλλοιωθεί μπορεί να έχει ως αποτέλεσμα την έκρηξη της μπαταρίας με πρόκληση πυρκαγιάς, τραυματισμό και βλάβη. Θα ακυρώσει επίσης την εγγύηση Makita για το εργαλείο Makita και τον φορτιστή.

## **Συμβουλές για τη διατήρηση της μέγιστης ζωής της μπαταρίας**

1. Φορτίστε την μπαταρία πριν αποφορτιστεί εντελώς.  
Πάντοτε να διακόπτετε τη λειτουργία του εργαλείου και να φορτίζετε την μπαταρία όταν παρατηρείται μειωμένη ισχύ του εργαλείου.
2. Ποτέ μην επαναφορτίζετε μια πλήρως φορτισμένη μπαταρία. Η υπερφόρτιση μειώνει τη διάρκεια ζωής της μπαταρίας.
3. Φορτίστε την μπαταρία σε θερμοκρασία περιβάλλοντος 10°C - 40°C (50°F - 104°F). Αν η μπαταρία είναι ζεστή αφήστε τη να κρυώσει πριν τη φορτίσετε.
4. Φορτίστε την μπαταρία εάν δεν τη χρησιμοποιείτε για μεγάλο χρονικό διάστημα (περισσότερο από έξι μήνες).

## ΧΡΟΝΟΣ ΛΕΙΤΟΥΡΓΙΑΣ

\* Τα κατάλληλα πακέτα μπαταριών για αυτό το ραδιόφωνο αναφέρονται στον παρακάτω πίνακα.

\* Ο παρακάτω πίνακας δείχνει το χρόνο λειτουργίας με μία μόνο φόρτιση.

Χωρητικότητα μπαταρίας	Τάση κασέτας μπαταρίας			ΣΕ ΕΞΟΔΟ ΗΧΟΥ = 100mW Μονάδα: Ωρα (περίπου)	
	10.8V – 12Vμεγ	14.4V	18V	Στο ραδιόφωνο ή στο AUX	In Bluetooth +USB Charging
1.3 Ah		BL1415		3.5	0.7
			BL1815	4.0	1.0
1.5 Ah	BL1015 BL1016			6.0	0.8
		BL1415N BL1415NA		4.5	0.9
			BL1815N	5.0	1.2
2.0 Ah	BL1020B BL1021B			8.0	1.0
			BL1820 BL1820B	6.5	1.6
3.0 Ah		BL1430 BL1430B BL1430A		8.0	1.6
			BL1830 BL1830B	9.5	2.3
4.0 Ah	BL1040B BL1041B			16	2.1
		BL1440		13	2.5
			BL1840 BL1840B	13	3.2
5.0 Ah		BL1450		15	3.0
			BL1850 BL1850B	17	4.2
6.0 Ah		BL1460B BL1460A		17	3.3
			BL1860B	21	5.0

### **⚠ ΠΡΟΕΙΔΟΠΟΙΗΣΗ:**

Χρησιμοποιείτε μόνο τις κασέτες μπαταρίας που αναφέρονται παραπάνω. Η χρήση οποιωνδήποτε άλλων κασετών μπαταρίας μπορεί να προκαλέσει τραυματισμό ή/και πυρκαγιά.

### **Σημείωση:**

- Ο πίνακας σχετικά με τον χρόνο λειτουργίας της μπαταρίας παραπάνω είναι μόνο για αναφορά.
- Ο πραγματικός χρόνος λειτουργίας μπορεί να διαφέρει ανάλογα με τον τύπο της μπαταρίας, την κατάσταση φόρτισης ή το περιβάλλον χρήσης.

# ΕΓΚΑΤΑΣΤΑΣΗ ΚΑΙ ΤΡΟΦΟΔΟΣΙΑ

## ⚠ ΠΡΟΣΟΧΗ:

- Προσέξτε να μην πιέξετε τα δάχτυλά σας όταν ανοίγετε και κλείνετε το κάλυμμα της μπαταρίας.
- Επαναφέρετε το ντουλάπι της θήκης μπαταριών στην αρχική θέση, αφού εγκαταστήσετε ή αφαιρέσετε το φυσίγγιο μπαταρίας. Εάν όχι, το φυσίγγιο μπαταρίας μπορεί να πέσει κατά λάθος από το ραδιόφωνο, προκαλώντας τραυματισμό σε εσάς ή σε κάποιον γύρω σας.
- Κλείνετε πάντα και ασφαλίσετε το ντουλάπι θήκης μπαταρίας πριν μετακινήσετε το ραδιόφωνο.
- Σβήνετε πάντα το ραδιόφωνο πριν βγάλετε ή βγάλετε την κασέτα μπαταρίας.
- Προσέξτε να μην πέσει ή χτυπήσει το ραδιόφωνο. Το σπασμένο περίβλημα μπορεί να κόψει το δάχτυλό σας ή να καρφωθεί στο σώμα σας. Το ραδιόφωνο με ζημία μπορεί να παρουσιάσει απρόβλεπτη συμπεριφορά με αποτέλεσμα πυρκαγιά, έκρηξη ή κίνδυνο τραυματισμού.

## ΣΗΜΑΝΤΙΚΟ:

- Μειωμένη ισχύς, παραμόρφωση, "διακεκομμένος ήχος" ή όταν στην οθόνη εμφανίζονται τόσο η ένδειξη χαμηλής μπαταρίας όσο και η ένδειξη "POWERFAIL" είναι όλα σημάδια ότι χρειάζεται αντικατάσταση της κύριας μπαταρίας.
- Όταν εμφανίζεται η ένδειξη χαμηλής μπαταρίας και το μήνυμα "EMPTY" συνεχίζει να αναβοσβήνει, είναι ώρα για την αντικατάσταση των εφεδρικών μπαταριών.
- Το φυσίγγιο μπαταρίας δεν μπορεί να φορτιστεί μέσω του παρεχόμενου μετασχηματιστή AC.
- Το φυσίγγιο μπαταρίας δεν περιλαμβάνεται ως στάνταρ αξεσουάρ.

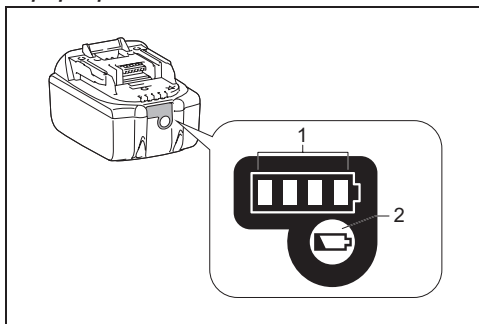
## Τοποθέτηση ή αφαίρεση της συρόμενης κασέτας μπαταρίας (Εικ. 4 σφ 5)

- Για να τοποθετήσετε την κασέτα μπαταρίας, ευθυγραμμίστε τη γλωττίδα της κασέτας μπαταρίας με την εγκοπή στο περίβλημα και σύρτε τη στη θέση της. Πάντοτε να την τοποθετείτε έως το τέρμα έως όπου ασφαλίσει στη θέση της και ακουστεί ένας απλός ήχος "κλικ".
- Αν μπορείτε να δείτε την κόκκινη ένδειξη στην πάνω πλευρά του κουμπιού, η μπαταρία δεν είναι πλήρως ασφαλισμένη. Τοποθετήστε την πλήρως έως όπου να μη φαίνεται η κόκκινη ένδειξη. Σε αντίθετη περίπτωση, μπορεί να πέσει κατά λάθος από το ραδιόφωνο και να τραυματίσει εσάς ή κάποιον παρευρισκόμενο.
- Να μη χρησιμοποιείτε δύναμη όταν εισαγάγετε την κασέτα μπαταρίας. Αν η κασέτα δεν ολισθαίνει με ευκολία αυτό σημαίνει ότι δεν την εισαγάγατε σωστά.
- Για να αφαιρέσετε το φυσίγγιο μπαταρίας, βγάλετε το

συρταρωτά από το ραδιόφωνο ενώ σύρτε το κουμπί στο εμπρός μέρος του φυσιγγίου.

## Α Ένδειξη της εναπομένουσας χωρητικότητας της μπαταρίας

\* Μόνο για τις κασέτες μπαταρία με "B" στο τέλος του αριθμού μοντέλου.



### ➤ 1. Ενδεικτικές λυχνίες 2. Κουμπί ελέγχου











Πατήστε το κουμπί ελέγχου στην κασέτα μπαταρίας για να εμφανιστεί η υπολειπόμενη χωρητικότητα της μπαταρίας. Οι ενδεικτικές λυχνίες θα ανάψουν για μερικά δευτερόλεπτα.

### • Μπαταρίες 14,4V/18V

Ενδεικτικές λυχνίες			Εναπομένουσα χωρητικότητα
Αναμμένη	Ανενεργή	Αναβοσβήνει	
■	□	▧	75% ~ 100%
■	■	■	50% ~ 75%
■	■	□	25% ~ 50%
■	□	□	0% ~ 25%
▧	□	□	Φορτιστέτην μπαταρία
■	■	□	Πιθανή δυσλειτουργία μπαταρίας
□	□	■	



## ● Μπαταρίες 10,8V-12V μέγ

Ενδεικτικές λυχνίες			Εναπομένουσα χωρητικότητα
 Αναμμένη	 Ανενεργή	 Αναβοσβήνει	
			75% ~ 100%
			50% ~ 75%
			25% ~ 50%
			0% ~ 25%

### ΣΗΜΕΙΩΣΗ:

Ανάλογα με τις συνθήκες χρήσης και τη θερμοκρασία περιβάλλοντος, η ένδειξη ενδέχεται να διαφέρει ελαφρώς από την πραγματική χωρητικότητα.

### Εγκατάσταση εφεδρικών μπαταριών (Εικ. 2 & 3)

Η διατήρηση των εφεδρικών μπαταριών στο εσωτερικό του διαμερίσματος εμποδίζει την απώλεια των αποθηκευμένων δεδομένων στις μνήμες προεπιλογής.

1. Βγάλτε το ντουλάπι θήκης μπαταριών για να απελευθερώσετε τη θήκη μπαταριών. Υπάρχει θήκη κύριας μπαταρίας και θήκη εφεδρικής μπαταρίας.
2. Αφαιρέστε το κάλυμμα της θήκης εφεδρικών μπαταριών και τοποθετήστε 2 καινούργιες UM-3 (μεγέθη AA). Βεβαιωθείτε ότι οι μπαταρίες έχουν μπει με σωστή πολικότητα όπως φαίνεται στο εσωτερικό του διαμερίσματος. Τοποθετήστε ξανά το κάλυμμα της μπαταρίας.
3. Μετά την τοποθέτηση των εφεδρικών μπαταριών, τοποθετήστε την κύρια μπαταρία για να ενεργοποιησετε το ραδιόφωνο.

### Χρήση του παρεχόμενου μετασχηματιστή εναλλασσόμενου ρεύματος

Αφαιρέστε το προστατευτικό καουτσούκι και τοποθετήστε το βύσμα του προσαρμογέα στην υποδοχή DC στη δεξιά πλευρά του ραδιοφώνου. Συνδέστε τον προσαρμογέα σε μια κανονική πρίζα ρεύματος. Όταν χρησιμοποιείται ο προσαρμογέας, αποσυνδέεται αυτόματα η μπαταρία.

#### ΠΡΟΣΟΧΗ:

- Αποσυνδέετε πάντα τον προσαρμογέα ρεύματος AC πριν μετακινήσετε το ραδιόφωνο. αν ο μετασχηματιστής AC δεν αφαιρεθεί, μπορεί να προκληθεί ηλεκτροπληξία.
- Ποτέ μην τραβάτε και σύρετε το καλώδιο του προσαρμογέα. Αν όχι, το ραδιόφωνο μπορεί να πέσει κατά λάθος, προκαλώντας τραυματισμό σε εσάς ή σε κάποιον γύρω σας.

### ΣΗΜΑΝΤΙΚΟ:

- Ο προσαρμογέας δικτύου χρησιμοποιείται ως μέσο σύνδεσης του ραδιοφώνου στην τροφοδοσία ρεύματος. Η πρίζα ρεύματος που χρησιμοποιείται για το ραδιόφωνο πρέπει να παραμείνει προσβάσιμη κατά τη διάρκεια της κανονικής χρήσης.
- Για να αποσυνδέσετε το ραδιόφωνο, ο προσαρμογέας δικτύου πρέπει να βγει από την πρίζα.
- Χρησιμοποιήστε το τροφοδοτικό εναλλασσόμενου ρεύματος που παρέχεται μαζί με το προϊόν ή που ορίζεται μόνο από τη Makita.
- Μην κρατάτε το καλώδιο τροφοδοσίας και το βύσμα με το στόμα σας. Κάτι τέτοιο μπορεί να προκαλέσει ηλεκτροπληξία.
- Μην αγγίζετε το βύσμα με βρεγμένα ή λιπαρά χέρια.
- Τα χαλασμένα ή μπλεγμένα καλώδια αυξάνουν τον κίνδυνο ηλεκτροπληξίας. Εάν το καλώδιο είναι κατεστραμμένο, αντικαταστήστε το από το εξουσιοδοτημένο κέντρο σέρβις μας, προκειμένου να αποφύγετε κίνδυνο για την ασφάλεια. Μην το χρησιμοποιείτε πριν από την επισκευή.
- Μετά τη χρήση, να αποθηκεύετε πάντοτε το τροφοδοτικό εναλλασσόμενου ρεύματος μακριά από παιδιά. Εάν τα παιδιά παίζουν με το καλώδιο, μπορεί να τραυματιστούν.

### Σημείωση:

Όταν το ραδιόφωνο σας έχει παρεμβολές στη ζώνη AM από τον προσαρμογέα, μετακινήστε το ραδιόφωνο μακριά από τον προσαρμογέα εναλλασσόμενου ρεύματος σε απόσταση μεγαλύτερη των 30 cm.

### Φόρτιση με τη θύρα τροφοδοσίας USB

Η θύρα USB υπάρχει στην μπροστινή πλευρά του ραδιοφώνου. Μπορείτε να φορτίσετε μια συσκευή USB μέσω της θύρας USB.

1. Συνδέστε τη συσκευή USB, όπως MP3 ή CD player, με ένα διαθέσιμο στην αγορά καλώδιο USB.
2. Πατήστε το κουμπί τροφοδοσίας για να ενεργοποιήσετε το ραδιόφωνο.
3. Ανεξαρτήτως από το αν το ραδιόφωνό σας τροφοδοτείται από πηγή εναλλασσόμενου ρεύματος ή από μπαταρία, το ραδιόφωνο μπορεί να φορτίσει τη συσκευή USB όταν ενεργοποιηθεί το ραδιόφωνο και βρεθεί στη μπάντα ραδιοφώνου FM ή στη μπάντα BT ή στη μπάντα AUX, η οποία εμφανίζεται όταν έχει συνδεθεί ένα εξωτερική πηγή ήχου.

### Σημείωση:

- Δεν μπορείτε να φορτίζετε συσκευές USB κατά τη λειτουργία AM, επειδή η λήψη ραδιοσήματος είναι εξαιρετικά χαμηλή κατά τη φόρτιση συσκευής USB.
- Η μέγιστη ένταση ήχου από το ηχείο εξόδου θα μειωθεί όταν φορτίζει το USB.
- Η υποδοχή USB μπορεί να παράσχει το μέγιστο ηλεκτρικό ρεύμα του 5V/2.4A.

### Σημαντικό:

- Πριν από τη σύνδεση της συσκευής USB στη θύρα USB, πάντοτε να κρατάτε αντίγραφα ασφαλείας των δεδομένων σας της συσκευής USB. Διαφορετικά τα δεδομένα σας μπορεί να χαθούν λόγω οποιασδήποτε περίπτωσης.
- Το ραδιόφωνο μπορεί να μην παράσχει ρεύμα σε ορισμένες συσκευές USB.
- Αποσυνδέστε το καλώδιο USB και κλείστε το κάλυμμα όταν δεν το χρησιμοποιείτε ή μετά τη φόρτιση.
- Μην συνδέετε πηγή ρεύματος στη θύρα USB. Διαφορετικά υπάρχει κίνδυνος πυρκαγιάς. Η θύρα USB προορίζεται μόνο για φόρτιση συσκευών χαμηλής τάσης. Να τοποθετείτε πάντοτε το κάλυμμα πάνω στη θύρα USB όταν δεν εκτελείτε φόρτιση συσκευής χαμηλής τάσης.
- Μην εισαγάγετε κάποιο καρφί, σύρμα κ.λπ. μέσα στη θύρα τροφοδοσίας USB. Διαφορετικά ένα βραχυκύκλωμα μπορεί να προκαλέσει καπνό και φωτιά.
- Μην συνδέετε ποτέ αυτή η υποδοχή USB με τη θύρα USB του υπολογιστή σας, καθώς είναι πολύ πιθανό να προκαλέσει βλάβη των μονάδων.

## ΑΚΡΟΑΣΗ ΤΟΥ ΡΑΔΙΟΦΩΝΟΥ

### Συντονισμός σάρωσης AM/FM

#### Σημείωση:

Η κεραία FM είναι ενσωματωμένη στη λαβή. Κατά τη λειτουργία του ραδιοφώνου, ευθυγραμμίστε τη λαβή σωστά πάνω από το ραδιόφωνο για καλύτερη λήψη. Για τη ζώνη AM, περιστρέψτε το ραδιόφωνο για να έχετε το καλύτερο σήμα καθώς η κεραία AM είναι ενσωματωμένη στο ραδιόφωνο.

1. Πατήστε το κουμπί τροφοδοσίας για να ενεργοποιήσετε το ραδιόφωνο.
2. Πατήστε το κουμπί Πηγής για να επιλέξετε τη λειτουργία ραδιοφώνου AM ή FM.
3. Πατήστε και κρατήστε πατημένο το κουμπί συντονισμού για να πραγματοποιήσετε αυτόματο συντονισμό. Το ραδιόφωνο θα σαρώσει τη ζώνη AM/FM από την τρέχουσα συχνότητα που φαίνεται και θα σταματήσει αυτόματα τη σάρωση όταν εντοπίσει σταθμό με επαρκή ισχύ σήματος.
4. Μετά από μερικά δευτερόλεπτα η οθόνη θα ενημερωθεί. Στην οθόνη θα εμφανιστεί η συχνότητα του εντοπισμένου σήματος.
5. Για να βρείτε άλλον σταθμό, πατήστε και κρατήστε πατημένο το κουμπί συντονισμού όπως προηγούμενως.
6. Όταν φτάσετε στο τέλος της ζώνης συχνοτήτων, το ραδιόφωνο σας θα ξαναρχίσει από το αντίθετο άκρο της ζώνης συχνοτήτων.
7. Περιστρέψτε το κουμπί ελέγχου συντονισμού για να

ρυθμίσετε το επίπεδο ήχου όπως θέλετε.

#### Σημείωση:

- Κατά τη ρύθμιση της έντασης, βεβαιωθείτε ότι το FM/AM στην οθόνη ΔΕΝ αναβοσβήνει.
  - Αν η ένδειξη AM/FM αναβοσβήνει στην οθόνη, σας επιτρέπει να συντονίζετε τους σταθμούς με μη αυτόματο τρόπο (ανατρέξτε στην ενότητα "Χειροκίνητος συντονισμός - AM/FM" για περισσότερες λεπτομέρειες).
  - Η ένταση του ήχου δεν πρέπει να είναι πολύ μεγάλη. Για να αποφύγετε τυχόν βλάβη της ακοής, μην ακούτε σε υψηλά επίπεδα έντασης για μεγάλες περιόδους.
8. Για να απενεργοποιήσετε το ραδιόφωνο, πατήστε το κουμπί λειτουργίας..

### Χειροκίνητος συντονισμός - AM/FM

1. Πατήστε το κουμπί τροφοδοσίας για να ενεργοποιήσετε το ραδιόφωνο.
2. Πατήστε το κουμπί Πηγής για να επιλέξετε λειτουργία ραδιοφώνου AM ή FM.
3. Πατήστε το κουμπί ελέγχου συντονισμού και θα δείτε ότι το FM ή το AM αναβοσβήνει στην οθόνη.

#### Σημείωση:

- Το FM/AM θα αναβοσβήνει περίπου 10 δευτερόλεπτα. Εντός αυτής της περιόδου επιτρέπεται μόνο η χειροκίνητη ρύθμιση.
  - Εάν θέλετε να ρυθμίσετε την ένταση ενώ αναβοσβήνει η ένδειξη FM/AM, πατήστε το κουμπί ελέγχου συντονισμού για να σταματήσετε την αναλαμπή και μπορείτε να περιστρέψετε το κουμπί ελέγχου συντονισμού για να ρυθμίσετε το επίπεδο ήχου.
4. Περιστρέψτε το κουμπί ελέγχου συντονισμού για να συντονιστείτε σε σταθμό.
  5. Όταν φτάσετε στο τέλος της ζώνης συχνοτήτων, το ραδιόφωνο σας θα ξαναρχίσει από το αντίθετο άκρο της ζώνης συχνοτήτων.
  6. Περιστρέψτε το κουμπί ελέγχου συντονισμού για να ρυθμίσετε το επίπεδο ήχου όπως θέλετε.

### Προεπιλογή σταθμών σε λειτουργία AM/FM

Υπάρχουν 5 προεπιλεγμένοι σταθμοί για ραδιόφωνο AM και FM. Χρησιμοποιούνται με τον ίδιο τρόπο για κάθε ζώνη συχνοτήτων.

1. Πατήστε το κουμπί τροφοδοσίας για να ενεργοποιήσετε το ραδιόφωνο.
2. Πατήστε το κουμπί Πηγής για να επιλέξετε την επιθυμητή περιοχή συχνοτήτων. Συντονιστείτε στον ραδιοφωνικό σταθμό που θέλετε όπως περιγράφηκε προηγούμενως.
3. Πατήστε και κρατήστε πατημένο το κουμπί Προεπιλογής (1 έως 5) μέχρι να εμφανιστεί η ένδειξη "P4" στην οθόνη για παράδειγμα μετά από τη συχνότητα. Ο

σταθμός θα αποθηκευτεί χρησιμοποιώντας τον αριθμό προεπιλογής. Επαναλάβετε αυτή τη διαδικασία για τις υπόλοιπες προεπιλογές όπως θέλετε.

4. Οι προεπιλεγμένοι σταθμοί που έχουν ήδη αποθηκευτεί μπορούν να αντικατασταθούν ακολουθώντας την παραπάνω διαδικασία, εάν χρειάζεται.

## Λειτουργίες οθόνης – FM

Το ραδιόφωνο διαθέτει μια σειρά από επιλογές οθόνης για τη λειτουργία ραδιοφώνου FM.

Πατήστε επανειλημμένα το κουμπί Μενού/Πληροφοριών για να δείτε τις πληροφορίες RDS του σταθμού που ακούτε.

- |                       |  |
|-----------------------|--|
| a. Όνομα Σταθμού      | Εμφανίζει το όνομα του σταθμού που ακούτε.   |
| b. Τύπος προγράμματος | Εμφανίζει τον τύπο σταθμού που ακούτε όπως Pop, Classic, News, κ.λπ.                                       |
| c. Κείμενο ραδιοφώνου | Εμφανίζει το μήνυμα ραδιοφωνικού κειμένου, όπως τίτλους ειδήσεων κ.λπ.                                     |
| d. Έτος/Ημέρα         | Εμφανίζει το έτος και την ημέρα της εβδομάδας σύμφωνα με τη ρύθμιση ημερομηνίας του ραδιοφώνου σας.        |
| e. Ημερομηνία/ Ημέρα  | Εμφανίζει την ημερομηνία και την ημέρα της εβδομάδας σύμφωνα με τη ρύθμιση ημερομηνίας του ραδιοφώνου σας. |
| f. Λειτουργία EQ      | Εμφανίζει τη λειτουργία EQ του FM για τον σταθμό που ακούτε.   |
| g. Συχνότητα          | Εμφανίζει τη συχνότητα FM για τον σταθμό που ακούτε.   |

## FM στερεοφωνικό (αυτόματο)/ μονοφωνικό

Εάν ο ραδιοφωνικός σταθμός FM που ακούτε έχει αδύναμο σήμα, μπορεί να ακούγεται κάποιο σφύριγμα. Μπορείτε να μειώσετε αυτό το σφύριγμα εξαναγκάζοντας το ραδιόφωνο για να παίξει τον σταθμό μονοφωνικά και όχι στερεοφωνικά.

1. Πατήστε το κουμπί Πηγής, όπως απαιτείται, για να επιλέξετε τη ζώνη FM και συντονιστείτε στον σταθμό FM που θέλετε όπως αναφέρθηκε προηγουμένως.
2. Πατήστε και κρατήστε πατημένο το κουμπί Μενού/ Πληροφοριών για να μπει στη ρύθμιση μενού.
3. Περιστρέψτε το κουμπί ελέγχου συντονισμού μέχρι να εμφανιστεί στην οθόνη η ρύθμιση "FM AUTO (ή MONO)". Εάν η ρύθμιση είναι Αυτόματα, πατήστε το κουμπί ελέγχου συντονισμού και, στη συνέχεια, περιστρέψτε το κουμπί ελέγχου συντονισμού για να γυρίσετε στην Μονοφωνική λειτουργία και να μειώσετε το σφύριγμα. Πατήστε το κουμπί ελέγχου συντονισμού για να κάνετε την επιλογή.

## Ανάκληση μιας προεπιλεγμένης λειτουργίας AM/FM

1. Πατήστε το κουμπί τροφοδοσίας για να ενεργοποιήσετε το ραδιόφωνο.
2. Πατήστε το κουμπί Πηγής για να επιλέξετε τη λειτουργία ραδιοφώνου AM ή FM
3. Πατήστε στιγμιαία το απαιτούμενο κουμπί προεπιλογής για να συντονιστείτε στο ραδιόφωνο σας σε έναν από τους σταθμούς που είναι αποθηκευμένοι στη μνήμη προεπιλεγμένων ρυθμίσεων.

## ΔΙΑΦΟΡΕΣ ΡΥΘΜΙΣΕΙΣ

### Ρύθμιση της μορφής ώρας και ημερομηνίας

Η οθόνη ρολογιού που χρησιμοποιείται στην κατάσταση αναμονής και στις οθόνες λειτουργίας αναπαραγωγής μπορεί να ρυθμιστεί σε διαφορετική μορφή. Στη συνέχεια, η επιλεγμένη μορφή χρησιμοποιείται και κατά τη ρύθμιση των συναγερμών.

1. Πατήστε και κρατήστε πατημένο το κουμπί Μενού/ Πληροφοριών για να μπει στη ρύθμιση μενού.
2. Περιστρέψτε το κουμπί ελέγχου συντονισμού μέχρι να εμφανιστεί στην οθόνη η ένδειξη "CLOCK xxH" και πατήστε το κουμπί ελέγχου συντονισμού για να μπει στη ρύθμιση. Θα δείτε ότι η μορφή του χρόνου αρχίζει να αναβοσβήνει.
3. Περιστρέψτε το κουμπί ελέγχου συντονισμού για να επιλέξετε είτε τη μορφή 12 είτε τη μορφή 24 ωρών. Πατήστε το κουμπί ελέγχου συντονισμού για να επιβεβαιώσετε την επιλογή της μορφής ρολογιού.

#### Σημείωση:

Εάν επιλέξετε τη μορφή ρολογιού 12 ωρών, τότε το ραδιόφωνο θα χρησιμοποιήσει το ρολόι των 12 ωρών για τη ρύθμιση.

4. Πατήστε και κρατήστε πατημένο το κουμπί Μενού/ Πληροφοριών για να μπει στη ρύθμιση μενού.
5. Περιστρέψτε το κουμπί ελέγχου συντονισμού μέχρι να εμφανιστεί μια ημερομηνία (π.χ. THU APR 3) στην οθόνη και πατήστε το κουμπί ελέγχου συντονισμού για να μπει στη ρύθμιση. Θα δείτε ότι η μορφή ημερομηνίας αρχίζει να αναβοσβήνει.
6. Περιστρέψτε το κουμπί ελέγχου συντονισμού για να επιλέξετε την επιθυμητή μορφή ημερομηνίας. Πατήστε το κουμπί ελέγχου συντονισμού για να επιβεβαιώσετε την επιλογή σας.

### Ρύθμιση της ώρας και της ημερομηνίας του ρολογιού

1. Πατήστε και κρατήστε πατημένο το κουμπί Μενού/ Πληροφορίες.
2. Περιστρέψτε το κουμπί ελέγχου συντονισμού μέχρι να εμφανιστεί στην οθόνη η ένδειξη "CLOCK ADJ".

## Ρύθμιση του ξυπνητηριού

Το ραδιόφωνο σας διαθέτει δύο συναγερούς, οι οποίοι μπορούν να ρυθμιστούν για να σας ξυπνήσουν με το ραδιόφωνο AM/FM ή με συναγερό του βομβητή. Οι συναγερούι μπορεί να ρυθμιστούν ενώ η μονάδα βρίσκεται σε κατάσταση αναμονής ή κατά την αναπαραγωγή.

### Σημείωση:

Βεβαιωθείτε ότι ή ώρα έχει ρυθμιστεί σωστά πριν ρυθμίσετε τους συναγερούς. Εάν δεν πατήσετε κανένα κουμπί για 10 δευτερόλεπτα, το ραδιόφωνο θα βγει από τη ρύθμιση συναγερούι.

### 1. Ρύθμιση ώρας συναγερούι ραδιοφώνου:

1. Το ραδιόφωνο μπορεί να ρυθμιστεί είτε ενεργοποιημένο είτε απενεργοποιημένο.
2. Πατήστε και κρατήστε πατημένο το κουμπί συναγερούι ραδιοφώνου, το σύμβολο συναγερούι ραδιοφώνου και η ώρα στη οθόνη θα αναβοσβήσουν μαζί με ένα μπιπ.
3. Ενώ το σύμβολο συναγερούι ραδιοφώνου αναβοσβήνει, περιστρέψτε το κουμπί ελέγχου συντονισμού για να επιλέξετε την ώρα και πατήστε ξανά το κουμπί ελέγχου συντονισμού για να επιβεβαιώσετε τη ρύθμιση ώρας. Στη συνέχεια περιστρέψτε το κουμπί ελέγχου συντονισμού για να επιλέξετε λεπτό και πατήστε το κουμπί ελέγχου συντονισμού για να επιβεβαιώσετε τη ρύθμιση.
4. Περιστρέψτε το κουμπί ελέγχου συντονισμού και στην οθόνη θα εμφανιστούν οι επιλογές συχνότητας για το ξυπνητήρι.  
Οι επιλογές συναγερούι είναι οι εξής:  
ONCE – ο συναγερούς θα χτυπήσει μια φορά  
DAILY – ο συναγερούς θα χτυπάει καθημερινά  
WEEKDAY – ο συναγερούς θα χτυπάει μόνο τις εργάσιμες ημέρες  
WEEKEND – ο συναγερούς θα χτυπάει μόνο τα σαββατοκύριακα  
Πατήστε το κουμπί ελέγχου συντονισμού για να επιβεβαιώσετε τη ρύθμιση.
5. Κατά τη διάρκεια της αναλαμπής του συμβόλου συναγερούι του ραδιοφώνου, περιστρέψτε το κουμπί ελέγχου συντονισμού για να επιλέξετε τη ζώνη αφύπνισης και τον σταθμό αφύπνισης που επιθυμείτε και, στη συνέχεια, πατήστε το κουμπί ελέγχου συντονισμού για να επιβεβαιώσετε την επιλογή.
6. Περιστρέψτε το κουμπί ελέγχου συντονισμού για να επιλέξετε την επιθυμητή ένταση και πατήστε το κουμπί ελέγχου συντονισμού για να επιβεβαιώσετε την ένταση. Η ρύθμιση συναγερούι ραδιοφώνου έχει ολοκληρωθεί.

### Σημείωση:

- Εάν δεν επιλεγεί νέος ραδιοφωνικός σταθμός, θα επιλέξει τον τελευταίο σταθμό συναγερούι.
- Αν ο επιλεγμένος σταθμός συναγερούι AM/FM δεν είναι διαθέσιμος όταν χτυπήσει ο συναγερούς, θα χρησιμοποιηθεί αντίθετα το σήμα συναγερούι βομβητή.

Πατήστε το κουμπί ελέγχου συντονισμού για να μπείτε στη ρύθμιση.

3. Η ρύθμιση της ώρας στην οθόνη θα αρχίσει να αναβοσβήνει. Περιστρέψτε το κουμπί ελέγχου συντονισμού για να επιλέξετε την επιθυμητή ώρα και πατήστε το κουμπί ελέγχου συντονισμού για να επιβεβαιώσετε τη ρύθμιση. Στη συνέχεια περιστρέψτε το κουμπί ελέγχου συντονισμού για να επιλέξετε το επιθυμητό λεπτό και πατήστε το κουμπί ελέγχου συντονισμού για να επιβεβαιώσετε τη ρύθμιση.
4. Περιστρέψτε το κουμπί ελέγχου συντονισμού μέχρι να εμφανιστεί στην οθόνη η ένδειξη "DATE ADJ". Πατήστε το κουμπί ελέγχου συντονισμού για να μπείτε στη ρύθμιση.
5. Περιστρέψτε το κουμπί ελέγχου συντονισμού για να επιλέξετε το επιθυμητό έτος και πατήστε το κουμπί ελέγχου συντονισμού για να επιβεβαιώσετε τη ρύθμιση. Στη συνέχεια περιστρέψτε το κουμπί ελέγχου συντονισμού για να επιλέξετε τον επιθυμητό μήνα και πατήστε το κουμπί ελέγχου συντονισμού για να επιβεβαιώσετε τη ρύθμιση. Στη συνέχεια περιστρέψτε το κουμπί ελέγχου συντονισμού για να επιλέξετε την επιθυμητή ημερομηνία και πατήστε το κουμπί ελέγχου συντονισμού για να επιβεβαιώσετε τη ρύθμιση.

## Σύστημα δεδομένων ραδιοφώνου (RDS)

Όταν ρυθμίζετε την ώρα του ρολογιού χρησιμοποιώντας τη λειτουργία RDS, το ραδιόφωνο θα συγχρονίσει την ώρα του ρολογιού κάθε φορά που συντονίζεται σε ραδιοφωνικό σταθμό που χρησιμοποιεί RDS με σήματα CT.

1. Όταν συντονίζεστε σε σταθμό που μεταδίδει δεδομένα RDS, το σύμβολο RDS εμφανίζεται στην οθόνη. Πατήστε και κρατήστε πατημένο το κουμπί Μενού/ Πληροφορίες.
2. Περιστρέψτε το κουμπί ελέγχου συντονισμού μέχρι να εμφανιστεί στην οθόνη η ένδειξη "RDS CT" και ένα σύμβολο ρολογιού. Πατήστε το κουμπί ελέγχου συντονισμού για να μπείτε στη ρύθμιση.
3. Περιστρέψτε το κουμπί ελέγχου συντονισμού μέχρι να εμφανιστεί στην οθόνη η ένδειξη "RDS CT". Πατήστε το κουμπί ελέγχου συντονισμού για να επιβεβαιώσετε τη ρύθμιση. Η ώρα ρολογιού του ραδιοφώνου θα ρυθμιστεί αυτόματα σύμφωνα με τα δεδομένα RDS που λαμβάνονται.

### Σημείωση:

- Η ώρα του ρολογιού του ραδιοφώνου θα ισχύει για 5 ημέρες κάθε φορά που η ώρα του ραδιοφώνου συγχρονίζεται με το RDS CT.
- Για να απενεργοποιήσετε τη λειτουργία RDS CT, επιστρέψτε στο βήμα 1 έως 2, και, στη συνέχεια, περιστρέψτε το κουμπί ελέγχου συντονισμού για να κάνετε την επιλογή "MANUAL". Πατήστε το κουμπί ελέγχου συντονισμού για να επιβεβαιώσετε τη ρύθμιση.

## **b. Ρύθμιση συναγερμού βομβητή HWS (Σύστημα Αφύπνισης):**

Όταν ενεργοποιείται η ειδοποίηση του βομβητή HWS, ακούγεται ένας ήχος μπιπ.

Ο ήχος συναγερμού θα ακούγεται συντομότερος κάθε 15 δευτερόλεπτα για ένα λεπτό, ακολουθούμενος από μια σιωπή ενός λεπτού πριν την επανάληψη του κύκλου.

1. Ο συναγερμός βομβητή μπορεί να ρυθμιστεί με το ραδιόφωνο είτε ενεργοποιημένο είτε απενεργοποιημένο.
2. Πατήστε και κρατήστε πατημένο το κουμπί συναγερμού βομβητή, το σύμβολο και η ώρα οθόνης αναβοσβήνουν μαζί με ένα μπιπ.
3. Ενώ το σύμβολο συναγερμού βομβητή αναβοσβήνει, περιστρέψτε το κουμπί ελέγχου συντονισμού για να επιλέξετε την ώρα και πατήστε ξανά το κουμπί ελέγχου συντονισμού για να επιβεβαιώσετε τη ρύθμιση ώρας. Στη συνέχεια περιστρέψτε το κουμπί ελέγχου συντονισμού για να επιλέξετε λεπτό και πατήστε το κουμπί ελέγχου συντονισμού για να επιβεβαιώσετε τη ρύθμιση.
4. Περιστρέψτε το κουμπί ελέγχου συντονισμού και στην οθόνη θα εμφανιστούν οι επιλογές συχνότητας για το ζυπνητήριο.  
Οι επιλογές συναγερμού είναι οι εξής:  
ONCE – ο συναγερμός θα χτυπήσει μια φορά  
DAILY – ο συναγερμός θα χτυπάει καθημερινά  
WEEKDAY – ο συναγερμός θα χτυπάει μόνο τις εργάσιμες ημέρες  
WEEKEND – ο συναγερμός θα χτυπάει μόνο τα σαββατοκύριακα.  
Πατήστε το κουμπί ελέγχου συντονισμού για να επιβεβαιώσετε τη ρύθμιση.

### **Σημείωση:**

Δεν υπάρχει ρύθμιση ήχου για τον βομβητή ειδοποίησης.

## **Διακοπή του ήχου συναγερμού**

Για να ακυρώσετε έναν ήχο συναγερμού, πατήστε το κουμπί τροφοδοσίας.

## **Απενεργοποίηση της ρύθμισης συναγερμού**

Για να απενεργοποιήσετε τη ρύθμιση συναγερμού πριν χτυπήσει ο συναγερμός, πατήστε και κρατήστε πατημένο το αντίστοιχο κουμπί συναγερμού μέχρι να εξαφανιστεί το σύμβολο συναγερμού στην οθόνη.

## **Αναβολή**

1. Όταν ηχεί ο συναγερμός, πατήστε οποιοδήποτε κουμπί εκτός από το κουμπί τροφοδοσίας για να αναβάλετε το ζυπνητήριο για 5 λεπτά. Στην οθόνη εμφανίζεται η ένδειξη "SNOOZE".
2. Για να ρυθμίσετε τον χρόνο σιωπής για τον χρονοδιακόπτη αναβολής, πατήστε και κρατήστε

πατημένο το κουμπί Μενού/Πληροφορίες για να μπειτε στη ρύθμιση μενού.

3. Περιστρέψτε το κουμπί ελέγχου συντονισμού μέχρι να εμφανιστεί στην οθόνη η ένδειξη "SNOOZE X" και πατήστε το κουμπί ελέγχου συντονισμού για να μπειτε στη ρύθμιση. Περιστρέψτε το κουμπί ελέγχου συντονισμού για να ρυθμίσετε το χρόνο σίγασης για 5, 10, 15 και 20 λεπτά για τον χρονοδιακόπτη αναβολής.
4. Για να ακυρώσετε τον χρονοδιακόπτη αναβολής κατά την αναστολή του συναγερμού, πατήστε το κουμπί λειτουργίας.

## **Χρονοδιακόπτης αναστολής λειτουργίας**

Το ραδιόφωνο μπορεί να ρυθμιστεί να απενεργοποιείται αυτόματα αφού παρέλθει ένας προκαθορισμένος χρόνος. Η ρύθμιση χρονοδιακόπτη αναστολής μπορεί να ρυθμιστεί μεταξύ 60, 45, 30, 15, 120 και 90 λεπτών.

1. Πατήστε και κρατήστε πατημένο το κουμπί τροφοδοσίας για να μπειτε στη ρύθμιση χρονοδιακόπτη αναστολής. Η ένδειξη "SLEEP XX" θα εμφανιστεί στην οθόνη.
2. Συνεχίστε να κρατάτε πατημένο το κουμπί τροφοδοσίας και οι επιλογές χρονοδιακόπτη αναστολής θα ξεκινήσουν να εναλλάσσονται στην οθόνη. Σταματήστε μόλις εμφανιστεί στην οθόνη η επιθυμητή ρύθμιση χρονοδιακόπτη αναστολής. Η ρύθμιση θα αποθηκευτεί και η οθόνη LCD θα επιστρέψει στην κανονική της μορφή.
3. Το ραδιόφωνο θα απενεργοποιηθεί αυτόματα αφού παρέλθει ο προεπιλεγμένος χρόνος του χρονοδιακόπτη αναστολής. Το εικονίδιο χρονοδιακόπτη αναστολής θα εμφανιστεί στην οθόνη, υποδεικνύοντας τον ενεργό χρονοδιακόπτη αναστολής.
4. Για να ακυρώσετε τη λειτουργία χρονοδιακόπτη αναστολής πριν από τη λήξη του προκαθορισμένου χρόνου, απλά πατήστε το κουμπί τροφοδοσίας για να απενεργοποιήσετε τη μονάδα χειροκίνητα.

## **Ένταση**

Μπορείτε να έχετε ενίσχυση σε χαμηλότερη και υψηλότερη συχνότητα για το ραδιόφωνο σας, ρυθμίζοντας τη λειτουργία έντασης.

1. Πατήστε και κρατήστε πατημένο το κουμπί Μενού/Πληροφοριών για να μπειτε στη ρύθμιση μενού.
2. Περιστρέψτε το κουμπί ελέγχου συντονισμού μέχρι να εμφανιστεί στην οθόνη η ένδειξη "LOUD ON" ή "LOUD OFF". Πατήστε το κουμπί ελέγχου συντονισμού για να μπειτε στη ρύθμιση.
3. Περιστρέψτε το κουμπί ελέγχου συντονισμού για να επιλέξετε ON για να ενεργοποιήσετε τη λειτουργία έντασης και, στη συνέχεια, πατήστε το κουμπί ελέγχου συντονισμού για να επιβεβαιώσετε τη ρύθμιση.
4. Για να απενεργοποιήσετε τη λειτουργία έντασης, επιλέξτε OFF και πατήστε το κουμπί ελέγχου συντονισμού για να επιβεβαιώσετε τη ρύθμιση.

## Λειτουργία ισοσταθμιστή

Υπάρχουν 7 τύποι ενδείξεων έγχρωμων LED γύρω από το κουμπί ελέγχου συντονισμού για να υποδείξουν διαφορετικές λειτουργίες EQ.

1. Πατήστε το κουμπί τροφοδοσίας για να ενεργοποιηστεί το ραδιόφωνο.
2. Πατήστε το κουμπί ελέγχου EQ για να μπειτε στο μενού ρυθμίσεων EQ.
3. Περιστρέψτε το κουμπί ελέγχου συντονισμού για να επιλέξετε την επιθυμητή λειτουργία. Στη συνέχεια πατήστε το κουμπί ελέγχου συντονισμού για να επιβεβαιώσετε τη ρύθμιση.

Λειτουργία EQ	Ένδειξη LED
FLAT	Λευκό
JAZZ	Μπλε
ROCK	Κόκκινο
CLASSIC	Καφέ
POP	Ροζ
NEWS	Κίτρινο
MY EQ	Πράσινο

## Ρύθμιση του προφίλ μου EQ

1. Πατήστε το κουμπί ελέγχου EQ για να μπειτε στο μενού ρυθμίσεων EQ.
2. Περιστρέψτε το κουμπί ελέγχου συντονισμού για να επιλέξετε "MY EQ". Στη συνέχεια πατήστε το κουμπί ελέγχου συντονισμού για να μπειτε στη ρύθμιση "BASS".
3. Περιστρέψτε το κουμπί ελέγχου συντονισμού για να επιλέξετε το επιθυμητό επίπεδο μπάσων. Πατήστε το κουμπί ελέγχου συντονισμού για να μπειτε στη ρύθμιση "MIDDLE".
4. Περιστρέψτε το κουμπί ελέγχου συντονισμού για να επιλέξετε το επιθυμητό επίπεδο μέσων συχνοτήτων. Πατήστε το κουμπί ελέγχου συντονισμού για να μπειτε στη ρύθμιση "TREBLE".
5. Περιστρέψτε το κουμπί ελέγχου συντονισμού για να επιλέξετε το επιθυμητό επίπεδο τρίμων. Πατήστε το κουμπί ελέγχου συντονισμού για να επιβεβαιώσετε τη ρύθμιση.

### Σημείωση:

- Όταν χρησιμοποιείτε τον ισοσταθμιστή για να τονίσετε τα μπάσα και να ακούτε σε υψηλά επίπεδα έντασης, μπορεί να προκληθούν σκασιμάτα ή παραμορφώσεις. Σε αυτήν την περίπτωση, ρυθμίστε κατάλληλα την ένταση του ραδιοφώνου.

## ΑΚΡΟΑΣΗ ΜΟΥΣΙΚΗΣ ΜΕΣΩ ΡΟΗΣ BLUETOOTH

Πρέπει να αντιστοιχίσετε τη συσκευή Bluetooth με το ραδιόφωνο προτού μπορέσετε να συνδεθείτε αυτόματα για αναπαραγωγή/ροή μουσικής Bluetooth μέσω του ραδιοφώνου. Η αντιστοίχιση δημιουργεί έναν "δεσμό"

ώστε οι δύο συσκευές να μπορούν να αναγνωρίσουν η μία την άλλη.

### ΣΗΜΕΙΩΣΗ:

- Για να έχετε την καλύτερη ποιότητα ήχου, συνιστούμε τη ρύθμιση της έντασης σε περισσότερο από τα δύο τρίτα του επιπέδου στο Bluetooth σας και να ρυθμίσετε την ένταση του ήχου στο ραδιόφωνο όπως απαιτείται.
- Το ραδιόφωνο μπορεί να απομνημονεύσει έως και 8 αυτο συνδεδεμένους συσκευών, όταν η μνήμη υπερβαίνει αυτό το πλήθος, το παλαιότερο ζεύγος στο ιστορικό θα αντικατασταθεί.

## Αντιστοίχιση της συσκευής Bluetooth σας για πρώτη φορά

1. Πατήστε το κουμπί τροφοδοσίας για να ενεργοποιηστεί το ραδιόφωνο. Πατήστε το κουμπί Πηγή για να επιλέξετε τη λειτουργία Bluetooth. Θα εμφανιστεί η ένδειξη "BT PAIR" και "PAIR" στην οθόνη.
2. Ενεργοποιήστε το Bluetooth στη συσκευή σας σύμφωνα με το εγχειρίδιο χρήσης της συσκευής για σύνδεση με το ραδιόφωνο. Εντοπίστε τη λίστα συσκευών Bluetooth και επιλέξτε τη συσκευή με την ονομασία "DMR114" (σε μερικά κινητά τηλέφωνα τα οποία είναι εξοπλισμένα με παλαιότερες εκδόσεις συσκευής Bluetooth BT2.1, μπορεί να χρειαστεί να εισαγάγετε τον κωδικό πρόσβασης "0000").
3. Μόλις συνδεθεί, θα ακουστεί ένας ήχος επιβεβαίωσης. Το "BLUETOOTH" θα παραμείνει στην οθόνη και ο οπίσθιος φωτισμός θα σβήσει σε 10 δευτερόλεπτα. Μπορείτε απλά να επιλέξετε και να αναπαραγάγετε οποιαδήποτε μουσική από τη συσκευή πηγής. Ο έλεγχος έντασης ήχου μπορεί να ρυθμιστεί από τη συσκευή πηγής ή απευθείας από το ραδιόφωνο.
4. Χρησιμοποιήστε τα χειριστήρια ελέγχου της συσκευής με δυνατότητα Bluetooth ή στο ραδιόφωνο για αναπαραγωγή/παύση και πλοήγηση κομματιών.

### ΣΗΜΕΙΩΣΗ:

- Εάν 2 συσκευές Bluetooth, συνδέονται για πρώτη φορά, και οι δύο σε αναζήτηση το ραδιόφωνο, θα δείξει τη διαθεσιμότητά του και στις δύο συσκευές. Ωστόσο, εάν μια συσκευή συνδεθεί με αυτή τη μονάδα πρώτα, τότε η άλλη συσκευή Bluetooth δεν θα τη βρει στη λίστα.
- Αν η συσκευή Bluetooth σας αποσυνδεθεί προσωρινά από το ραδιόφωνο, τότε πρέπει να επανασυνδεθείτε με μη αυτόματο τρόπο ξανά στο ραδιόφωνο.
- Αν το "DMR114" εμφανίζεται στη λίστα συσκευών Bluetooth σας, αλλά η συσκευή σας δεν μπορεί να συνδεθεί με αυτό, διαγράψτε το στοιχείο από τη λίστα σας και αντιστοιχίστε τη συσκευή με το ραδιόφωνο ακολουθώντας τα βήματα που περιγράφηκαν προηγουμένως.
- Η βέλτιστη περιοχή ροής Bluetooth είναι περίπου 10 μέτρα (γραμμική θέασης) στο ραδιόφωνο, αλλά είναι

εφικτή απόσταση μέχρι 30 μέτρα.

- Σε περίπτωση απώλειας της σύνδεσης Bluetooth λόγω υπέρβασης του χρόνου διαχωρισμού, υπέρβασης της βέλτιστης απόστασης, εμποδίων ή με άλλο τρόπο, μπορεί να χρειαστεί να επανασυνδεθεί η συσκευή σας με το ραδιόφωνο.
- Τα φυσικά εμπόδια, άλλες ασύρματες συσκευές ή ηλεκτρομαγνητικές συσκευές ενδέχεται να επηρεάσουν την ποιότητα της σύνδεσης.
- Η απόδοση σύνδεσης Bluetooth μπορεί να διαφέρει ανάλογα με τις συνδεδεμένες συσκευές Bluetooth. Παρακαλούμε ανατρέξτε στις δυνατότητες Bluetooth της συσκευής σας πριν τη σύνδεση με το ραδιόφωνο. Όλα τα χαρακτηριστικά μπορεί να μην υποστηρίζονται σε ορισμένες συσκευές Bluetooth.

## Αναπαραγωγή αρχείων ήχου σε λειτουργία Bluetooth

Όταν έχετε συνδέσει με επιτυχία το ραδιόφωνο με την επιλεγμένη συσκευή Bluetooth μπορείτε να αρχίσετε να αναπαραγάγετε μουσική χρησιμοποιώντας τα χειριστήρια της συνδεδεμένης συσκευής Bluetooth.

1. Αφού αρχίσει η αναπαραγωγή, ρυθμίστε την ένταση στο απαιτούμενο επίπεδο χρησιμοποιώντας το κουμπί έντασης του ήχου στο ραδιόφωνο ή στην ενεργοποιημένη συσκευή Bluetooth.
2. Χρησιμοποιήστε τα χειριστήρια ελέγχου της συσκευής με δυνατότητα Bluetooth για αναπαραγωγή/παύση και πλοήγηση κομματιών. Εναλλακτικά, ελέγξτε την αναπαραγωγή χρησιμοποιώντας τα κουμπιά Αναπαραγωγή/Παύση, Επόμενο κομμάτι, Προηγούμενο κομμάτι στο ραδιόφωνο.
3. Πατήστε και κρατήστε πατημένο το κουμπί Επόμενο κομμάτι ή Προηγούμενο κομμάτι για να μετακινηθείτε μέσα στο τρέχον κομμάτι. Αφήστε το κουμπί όταν φτάσετε στο σημείο που θέλετε.

### ΣΗΜΕΙΩΣΗ:

- Ορισμένες εφαρμογές ή συσκευές αναπαραγωγής μπορεί να μην ανταποκρίνονται σε όλες αυτές τις εντολές.
- Ορισμένα κινητά τηλέφωνα ενδέχεται να αποσυνδεθούν προσωρινά από το ραδιόφωνο όταν πραγματοποιείτε ή λαμβάνετε κλήσεις. Ορισμένες συσκευές ενδέχεται να απενεργοποιήσουν προσωρινά τον ήχο ροής Bluetooth όταν λαμβάνουν μηνύματα κειμένου, μηνύματα ηλεκτρονικού ταχυδρομείου ή για άλλους λόγους που δεν σχετίζονται με την μετάδοση ήχου. Αυτή η συμπεριφορά εξαρτάται από τη συνδεδεμένη συσκευή και δεν υποδεικνύει σφάλμα στο ραδιόφωνο.

## Αναπαραγωγή μιας προηγούμενης συνδεδεμένης συσκευής πηγής Bluetooth

Εάν η συσκευή Bluetooth σας έχει ήδη αντιστοιχιστεί με το

ραδιόφωνο προηγουμένως, η μονάδα θα απομνημονεύσει τη συσκευή Bluetooth και θα προσπαθήσει να επανασυνδεθεί με τη συσκευή στη μνήμη με την οποία συνδέθηκε τελευταία. Εάν η τελευταία συνδεδεμένη συσκευή δεν είναι διαθέσιμη, το ραδιόφωνο θα είναι ανιχνεύσιμο.

## Αποσύνδεση της συσκευής Bluetooth

Πατήστε και κρατήστε πατημένο το κουμπί αντιστοιχίσης Bluetooth για 2-3 δευτερόλεπτα μέχρι να εμφανιστεί η ένδειξη "BT PAIR" στην οθόνη ή απενεργοποιηστεί το Bluetooth στη συσκευή Bluetooth για να απενεργοποιηθεί η σύνδεση.

Μπορείτε επίσης να πατήσετε το κουμπί Πηγής για να επιλέξετε οποιαδήποτε λειτουργία διαφορετική από τη λειτουργία Bluetooth για να απενεργοποιηθεί η σύνδεση.

## Διαγραφή της μνήμης συσκευής αντιστοιχίσης Bluetooth

Για να διαγράψετε όλες τις αντιστοιχισμένες συσκευές, πατήστε και κρατήστε πατημένο το κουμπί αντιστοιχίσης Bluetooth πάνω από 5 δευτερόλεπτα μέχρι να εμφανιστεί στην οθόνη η ένδειξη "CLEARING".

## ΒΟΗΘΗΤΙΚΗ ΥΠΟΔΟΧΗ ΕΙΣΟΔΟΥ

Στην πρόσοψη του ραδιοφώνου υπάρχει βοηθητική υποδοχή εισόδου 3,5 mm που επιτρέπει την είσοδο ηχητικού σήματος στη μονάδα από μια εξωτερική συσκευή ήχου, όπως συσκευή αναπαραγωγής MP3 ή CD.

1. Συνδέστε μια εξωτερική πηγή ήχου (για παράδειγμα, συσκευή αναπαραγωγής MP3 ή CD) στην υποδοχή AUX IN.
2. Πατήστε το κουμπί τροφοδοσίας για να ενεργοποιηθεί το ραδιόφωνο.
3. Πατήστε επανειλημμένα και αφήστε το κουμπί Πηγής μέχρι να εμφανιστεί η ένδειξη "AUX IN".
4. Για να έχετε την καλύτερη ποιότητα ήχου, συνιστούμε τη ρύθμιση της έντασης σε περισσότερο από τα δύο τρίτα του επιπέδου στο Bluetooth σας και να ρυθμίσετε την ένταση του ήχου στο ραδιόφωνο όπως απαιτείται.

### ΣΗΜΕΙΩΣΗ:

Το καλώδιο ήχου δεν περιλαμβάνεται ως στάνταρ αξεσουάρ.

## ΣΥΝΤΗΡΗΣΗ

### ⚠ ΠΡΟΣΟΧΗ:

- Μην χρησιμοποιήσετε βενζίνη, βενζόλη, διαλυτικό, αλκοόλη ή κάτι παρόμοιο. Μπορεί να προκληθεί αποχρωματισμός, παραμόρφωση ή ρωγμές.
- Μην πλένετε το ραδιόφωνο με νερό.

## Προδιαγραφές

Απαιτήσεις ηλεκτρικού ρεύματος	
Μετασχηματιστής ρεύματος AC	DC 12 V 2.5A, θετικός πόλος η κεντρική ακίδα
Μπαταρία	UM-3 (μέγεθος AA) x2 για εφεδρεία Συρόμενη μπαταρία: 10.8V - 18V
Συχνότητας κάλυψης	FM87,50-108MHz (0,05MHz/βήμα) AM(MW)522-1,710kHz (9 kHz/βήμα)

Bluetooth®	
(Το λεκτικό σήμα Bluetooth® και τα λογότυπα αποτελούν εμπορικά σήματα της Bluetooth SIG, Inc.)	
Έκδοση Bluetooth	5.0 Πιστοποιημένο
Προφίλ Bluetooth	A2DP/SCMS-T/AVRCP
Ισχύς μετάδοσης	Κατηγορία ισχύος2
Εύρος μετάδοσης	Βέλτιστο: Μέγιστο 10 μέτρα (33 πόδια) Δυνατότητα: Μέγ. 30 μέτρα (100 πόδια) (ποικίλλει ανάλογα με τις συνθήκες χρήσης)
Υποστηριζόμενη κωδικοποίηση	SBC
Συμβατό προφίλ Bluetooth	A2DP/AVRCP
Μέγιστη ισχύς ραδιοσυχνότητας:	BT EDR: 3.91dBm
Συχνότητα λειτουργίας	2402MHz~2480MHz

Χαρακτηριστικό κυκλώματος	
Ηχείο	2.5ιντσών 8 ohm x2 4ιντσών 6 ohm x1
Ισχύς εξόδου	10.8V-12Vμεγ: 2W x2 +10W 14.4V: 3W x2 +15W 18V: 5W x2 + 25W
Τερματικό εισόδου	Διαμ. 3,5 mm (AUX IN)
Σύστημα κεραίας	FM: Ενσωματωμένη κεραία AM: κεραία ράβδος
Διαστάσεις (Μ x Π x Υ)	268 x 164 x 295 mm
Βάρος	4.9 KG (χωρίς μπαταρία)



## Türkçe (Orijinal Talimatlar)

### FORKLARING AF GENEREL OVERSIGT (Fig. 1)

1. Dahili anten(AM)
2. Sap/Dahili anten(FM)
3. Pil bölmesi kilitleti yuvası
4. Pil yuvası kapağı (pil kartuşunu kapatır)
5. Hoparlör
6. DC giriş yuvası
7. Derin bas hoparlör
8. Güç/Uyku zamanlama düğmesi
9. Kaynak düğmesi
10. Radyo alarm düğmesi
11. Sesli alarm düğmesi
12. Hazır Ayar 3/Oynat/Duraklat düğmesi
13. Hazır Ayar 5 düğmesi
14. Hazır Ayar 4/Sonraki parça düğmesi
15. Ses/Ayar kontrol/Seçim düğmesi
16. EQ kontrol düğmesi
17. AUX giriş yuvası
18. USB güç kaynağı bağlantı noktası
19. Menü/Bilgi düğmesi
20. EQ modu LED göstergesi
21. Hazır Ayar 2/Önceki parça düğmesi
22. Hazır Ayar 1/Bluetooth eşleştirme düğmesi
23. LCD ekran
24. Pil bölmesi
25. Yedek pil yuvası

### LCD EKRAN

- A. Radyo alarm
- B. Sesli alarm
- C. Stereo sembol
- D. Düşük pil göstergesi
- E. Saat
- F. Frekans
- G. RDS (Radyo veri sistemi)
- H. Uyku zamanlayıcı simgesi
- I. Saat için PM

### SİMGELER

Aşağıdakiler ekipman için kullanılan simgeleri göstermektedir. Kullanmadan önce anlamlarını anladığınızdan emin olun.



Kullanma kılavuzunu okuyun.



Yalnızca AB ülkeleri için.  
Elektrikli ekipmanı veya pil takımını ev atık malzemeleriyle birlikte çöpe atmayın!

Elektrikli ve Elektronik Ekipmanların ve Piller ve Akümülatörlerin ve Atık Pillerin ve Akümülatörlerin Çöpe Atılmasında Avrupa Direktiflerinin yerine getirilmesi ve Avrupa Direktiflerinin ulusal kanunlara uygun olarak ömrünün sonuna gelmiş elektrikli ekipmanlar ve piller ile pil takımlarının ayrı olarak toplanması ve çevreye uyumlu bir geri dönüşüm tesisine iade edilmesinde uygulanması.

### Önemli Güvenlik Talimatları

#### ⚠ DİKKAT:

Elektrikli aletler kullanılırken, yangın, elektrik çarpması, aşağıdakiler de dahil olmak üzere kişisel yaralanma risklerinin azaltılması için temel güvenlik önlemlerine sürekli uyulmalıdır:

1. Kullanmadan önce bu kullanma kılavuzu ile şarj cihazı kullanma kılavuzunu dikkatle okuyun.
2. Yalnızca kuru bezle temizleyin.
3. Radyatörler, kalorifer ızgaraları, soba veya ısı üreten diğer cihazlar (amplifikatörler de dahil) gibi herhangi bir ısı kaynağının yakınına kurmayın.
4. Yalnızca üretici tarafından belirtilen eklentileri/ aksesuarları kullanın.
5. Şimşekli fırtınalar sırasında veya çok uzun bir süre boyunca kullanılmadığında bu cihazı fişten çıkarın.
6. İçinde bulunan pillerle veya ayrı bir pil takımıyla çalışan bir radyo, ancak ilgili pile ait özel şarj cihazı ile şarj edilmelidir. Herhangi bir pil türü için uygun olan bir şarj cihazı, başka bir pille kullanıldığında yangın riski oluşturabilir.
7. Pille çalışan radyoyu özel olarak tasarlanmış pil takımlarıyla birlikte kullanın. Başka pillerin kullanımı yangın riski oluşturabilir.
8. Pil takımı kullanımda değilken pil takımını; kağıt atacı, bozuk para, anahtar, çivi, civata veya diğer küçük metal nesnelere gibi bir kutuptan diğerine bağlantı yapabilecek diğer metal nesnelere uzak tutun. Pil kutuplarının bir arada kısa devre yaptırılması kıvılcım, yanık veya yangına neden olabilir.
9. Boru, radyatör, ocak ve buzdolabı gibi topraklanmış yüzeylerle vücut temasından kaçının. Vücudunuzun toprakla temas etmesi halinde yüksek derece elektrik çarpması riski bulunmaktadır.
10. Kötü koşullar altında pilden sıvı boşalabilir; temas etmekten kaçının. Kaza ile temasta bulunulması durumunda su ile yıkayın. Sıvının göze temas etmesi halinde tıbbi yardıma başvurun. Pilden çıkan sıvı tahrişe veya yanmaya neden olabilir.
11. Bozuk veya değiştirilmiş pil takımı veya araçlar kullanmayın. Bozuk veya değiştirilmiş piller; yangın, patlama veya yaralanma riskiyle sonuçlanan

beklenmedik davranışlar sergileyebilirler.

12. PİL TAKIMINI veya aracı ateşe ya da aşırı sıcaklığa maruz bırakmayın. Ateşe veya 130 °C(266°F) derecenin üzerinde sıcaklığa maruz kalması patlamaya neden olabilir.
13. Tüm şarj talimatlarını izleyin ve pil takımı ya da aracı talimatlarda belirtilen sıcaklık aralıklarının dışında şarj etmeyin. Uygun olmayan koşullarda veya belirtilen sıcaklık aralıklarının dışında şarj etmek pile zarar verebilir ve yangın riskini artırabilir.
14. Cihazın bağlantısının kesilmesi için ANA ŞEBEKE fişi kullanılır ve cihaz kolayca çalışır durumda kalır.
15. Ürünü hiç bir zaman uzun süre boyunca yüksek seste kullanmayın. Herhangi bir duyma bozukluğundan kaçınmak için ürünü orta ses seviyesinde kullanın.
16. (Yalnızca LCD ekranlı ürünler için) LCD ekranlar, tahriş ve zehirlenmeye neden olabilecek sıvı içermektedir. Sıvı maddenin gözler, ağız veya ciltle temas etmesi durumunda suyla yıkayın ve bir doktor çağırın.
17. Ürünün yağmur veya ıslak koşullara maruz kalmasına izin vermeyin. Ürüne giren su elektrik çarpması riskini artırır.
18. Bu ürün, kendilerine güvenliklerinden sorumlu bir kişi tarafından ürünün kullanımına ilişkin olarak gözetim ve talimatlar verilmediği sürece, fiziksel, duyuşsal veya zihinsel kabiliyetleri sınırlı veya deneyimsiz ve bilgisi olmayan kişilerin (çocuklar da dahil) kullanımı amaçlı değildir. Çocukların ürünü oynamadıklarından emin olunması için kontrol edilmesi gerekmektedir. Ürünü çocukların ulaşamayacağı bir yerde muhafaza edin.

## BU TALİMATLARI KAYDEDİN

### ÖZEL GÜVENLİK KURALLARI PİL KARTUŞU İÇİN

1. PİL KARTUŞU kullanmadan önce (1) pil şarj cihazı, (2) pil ve (3) pil kullanan ürün üzerinde bulunan tüm talimatları ve uyarı işaretlerini okuyun.
2. PİL KARTUŞUNU sökme.
3. Çalışma süresinin aşırı kısa olması durumunda, hemen çalışmayı durdurun. Bu durum aşırı ısınma, olası yanıklar ve hatta patlama riskine neden olabilir.
4. Gözlerinize elektrolit kaçıması durumunda, temiz su ile gözlerinizi yıkayın ve derhal tıbbi yardıma başvurun. Aksi takdirde görme kaybı yaşayabilirsiniz.
5. PİL KARTUŞUNU kısa devre yaptırmayın:
  - 1) Kutulara herhangi bir iletken malzeme ile dokunmayın.
  - 2) PİL KARTUŞUNU; çivi, bozuk para vb. gibi diğer metal nesnelere birlikte aynı kutuda bulundurmaktan kaçınin.
  - 3) PİL KARTUŞUNU suya veya yağmura maruz bırakmayın. Pili kısa devre yapması büyük bir

akıma, aşırı ısınmaya, olası yanıklara ve hatta arızaya neden olabilir.

6. Aracı ve pil kartuşunu sıcaklığın 50°C (122°F) dereceye ulaştığı veya geçtiği yerlerde muhafaza etmeyin.
7. PİL KARTUŞUNU ciddi şekilde tahrip olmuş veya tamamen yıpranmış olsa bile yakmayın. PİL KARTUŞU herhangi bir yangın sırasında patlayabilir.
8. Pili düşürmemeye veya çarpmamaya dikkat gösterin.
9. Hasarlı pili kullanmayın.
10. Riski ortadan kaldırmak için, kullanmadan önce değiştirilen pilin kullanım kılavuzu okunmalıdır. Ve pilin maksimum deşarj akımı 8A eşit veya büyük olmalıdır.
11. İçerisinde lityum-iyon bulunan piller Tehlikeli Maddeler Mevzuat gereksinimlerine tabidir. Ticari taşımacılar için, yani üçüncü taraflar, nakliye acenteleri için, ambalaj ve etiketlemede özel gereksinimlerin yerine getirilmesi gerekir. Sevkedilen malzemenin hazırlanması için, tehlikeli madde uzmanına danışılması gerekir. Lütfen ayrıca muhtemelen daha ayrıntılı bilgiler içeren ulusal düzenlemeleri de dikkate alın. Açık temas noktalarını bantlayın veya kapatın ve pili ambalaj içerisinde hareket etmeyecek şekilde ambalajlayın.
12. Pilin atılmasıyla ilgili, yerel düzenlemelere uygun hareket edin.
13. Pilleri, yalnızca Makita tarafından belirtilen ürünlerle kullanın. Pillerin, uyumlu olmayan ürünlere takılması yangın, aşırı ısınma, patlama veya elektrolit sızıntısına neden olabilir.

#### ⚠ DİKKAT:

- PİLİN YANLIŞ KARŞI KARŞIYA KALINABİLİR tehlikesiyle karşı karşıya kalınabilir.
- Pili, aynı türden veya eşdeğer bir pille değiştirin.
- Yalnızca orijinal Makita pilleri kullanım, kullanın. Orijinal olmayan Makita pilleri veya değiştirilmiş piller kullanılması, yangın, kişisel yaralanma ve hasara neden olabilecek pil patlamasıyla sonuçlanabilir. Bu aynı zamanda Makita aracı ve şarj cihazı için Makita garantisini de geçersiz kılacaktır.

#### Maksimum pil ömrü elde etmek için ipuçları

1. Tamamen şarj bitmeden önce pil kartuşunu şarj edin. Araçta enerjinin az olduğunu farketdiğinizde daima aracın çalışmasını durdurun ve pil kartuşunu şarj edin.
2. Tam şarj edilmiş pil kartuşunu hiç bir zaman yeniden şarj etmeyin. Aşırı şarj pilin çalışma ömrünü kısaltır.
3. PİL KARTUŞUNU 10°C - 40°C (50°F - 104°F) derece oda sıcaklığında şarj edin. Isınmış pil kartuşunu şarj etmeden önce soğumasını bekleyin.
4. Uzun süre kullanmadığınız durumlarda (altı aydan fazla süredir) pil kartuşunu şarj edin.

# ÇALIŞMA SÜRESİ

\* Bu radyo için uygun piller aşağıdaki tabloda listelenmiştir.

\* Aşağıdaki tabloda tek bir şarjla çalışma süresi gösterilmektedir.

Pil kapasitesi	Pil kartuşu voltajı			HOPARLÖR ÇIKIŞINDA = 100mW Birim: Saat (Yaklaşık)	
	10.8V – 12Vmax	14.4V	18V	Radyoda ya da AUX'de	Bluetooth +USB ile Şarjda
1.3 Ah		BL1415		3.5	0.7
			BL1815	4.0	1.0
1.5 Ah	BL1015 BL1016			6.0	0.8
		BL1415N BL1415NA		4.5	0.9
			BL1815N	5.0	1.2
2.0 Ah	BL1020B BL1021B			8.0	1.0
			BL1820 BL1820B	6.5	1.6
3.0 Ah		BL1430 BL1430B BL1430A		8.0	1.6
			BL1830 BL1830B	9.5	2.3
4.0 Ah	BL1040B BL1041B			16	2.1
		BL1440		13	2.5
			BL1840 BL1840B	13	3.2
5.0 Ah		BL1450		15	3.0
			BL1850 BL1850B	17	4.2
6.0 Ah		BL1460B BL1460A		17	3.3
			BL1860B	21	5.0

## ⚠ DİKKAT:

Yalnızca yukarıda listelenen pil kartuşlarını kullanın. Başka pil kartuşlarının kullanılması yaralanma ve/veya yangına neden olabilir.

## NOT:

- Yukarıdaki pil çalışma süresine ilişkin tablo, bilgi amaçlıdır.
- Gerçek çalışma süresi pil türü, şarj koşulu veya kullanma ortamına göre farklılık gösterebilir.

# TAKMA VE GÜÇ KAYNAĞI

## ⚠ DİKKAT:

- PİL KAPAĞINI AÇARKEN VEYA KAPATIRKEN PARMAKLARINIZI SIKIŞTIRMAMAK İÇİN DİKKAT EDİN.
- PİL KARTUŞUNU Taktıktan veya çıkardıktan sonra pil bölmesi kilidini orijinal konumuna getirin. Yerine tam olarak yerleştirilmediği takdirde pil kartuşu kaza ile radyodan dışarı düşebilir ve size veya çevrenizdeki başka kişilere zarar verebilir.
- Radyoyu taşımadan önce her zaman pil yuvası kilidini kapatın ve kilitleyin.
- PİL KARTUŞUNU TAKMADAN VEYA ÇIKARMADAN ÖNCE HER ZAMAN RADYOYU KAPATIN.
- Radyoyu düşürmemeye veya çarpmamaya dikkat gösterin. Kırık gövde parmağınızı kesebilir veya vücudunuza bataabilir. Bozuk radyo; yangın, patlama veya yaralanma riskiyle sonuçlanan beklenmedik davranışlar sergileyebilir.

## ÖNEMLİ:

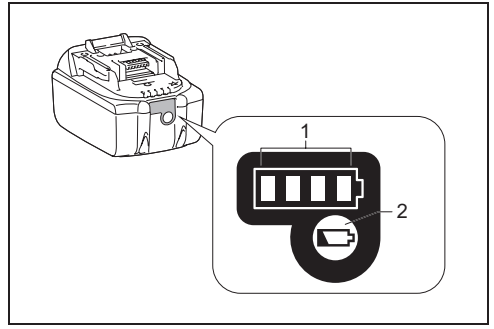
- Düşük güç, bozulma, "kesik kesik ses" veya hem düşük pil göstergesi hem de "GÜÇ ARIZASI" gibi şeylerin ekranda görünmesi durumunda tüm bunlar ana pil paketinin değiştirilmesi gerektiğini gösterir.
- Düşük pil göstergesi görüntülediğinde ve bir "BOŞ" yazısı yanıp sönmeye başladığında, bu yedek pillerin değişme zamanının geldiğini gösterir.
- PİL KARTUŞU VERİLEN AC GÜÇ ADAPTÖRÜYLE ŞARJ EDİLEMEZ.
- PİL KARTUŞU STANDART AKSESUARLARA DAHİL DEĞİLDİR.

## Kayan pil kartuşunun takılması ve çıkarılması (Resim 4 ve 5)

- PİL KARTUŞUNU TAKMAK İÇİN PİL KARTUŞUNDAKİ DİLİ MUHAFAZA İÇİNDEKİ YIVLE AYNI HIZYAYA GETİRİN VE YERİNE DOĞRU KAYDIRIN. Her zaman küçük bir tık sesiyle yerine tam olarak oturana kadar yerleştirin.
- DÜĞMENİN ÜST TARAFINDA KIRMIZI GÖSTERGEYİ GÖREBİLİYORSANIZ TAMAMEN OTURMAMIŞ DEMEKTEDİR. KIRMIZI GÖSTERGE GÖRÜNMEYENE KADAR TAM OLARAK YERİNE YERLEŞTİRİN. Yerine tam olarak yerleştirilmediği takdirde pil kaza ile radyodan dışarı düşebilir ve size veya çevrenizdeki başka kişilere zarar verebilir.
- PİL KARTUŞUNU TAKARKEN GÜÇ KULLANMAYIN. Kartuş rahatça kaymıyorsa, doğru yerleştirilmemiş demektir.
- PİL KARTUŞUNU ÇIKARMAK İÇİN, kartuşun ön kısmındaki düğmeyi kaydırırken pil kartuşunu radyodan kaydırarak çıkarın.

## Kalan pil kapasitesinin gösterilmesi

\* **Yalnızca model numarasının sonunda "B" harfi olan pil kartuşları için.**



## ➤ 1. Gösterge lambaları 2. Kontrol düğmesi

Kalan pil kapasitesinin gösterilmesi için pil kartuşundaki kontrol düğmesine basın. Gösterge lambaları birkaç saniye süre ile yanacaktır.

## ● 14.4V/18V piller

Gösterge veya lambalar			Kalan kapasite
Yanıyor	Kapalı	Yanıp Sönüyor	
■	□	▬	%75 ~ %100
■	■	□	%50 ~ %75
■	□	□	%25 ~ %50
■	□	□	%0 ~ %25
▬	□	□	Pili şarj et
■	■	□	Pil arızalanmış
□	□	■	

## ● 10,8V-12V maks piller

Gösterge veya lambalar			Kalan kapasite
Yanıyor	Kapalı	Yanıp Sönüyor	
■	■	■	%75 ~ %100
■	■	□	%50 ~ %75
■	□	□	%25 ~ %50
■	□	□	%0 ~ %25

## NOT:

Kullanım koşulları ve ortam sıcaklığına bağlı olarak, gösterge gerçek kapasiteden biraz farklı olabilir.

## Yedek pil takılması (Res. 2 & 3)

Yedek pilleri yuvasının içinde tutmak hazır ayar hafızasına kaydedilen verilerin kaybolmasını önler.

1. Pil yuvasını serbest bırakmak için Pil yuvası kilidini çekin. Ama pil yuvası ve yedek pil yuvası vardır.
2. Yedek pil yuvası kapağını çıkarın ve 2 adet yeni UM-3 (AA boyutunda) pil takın. Pillerin yuva içerisinde gösterildiği gibi kutuplarının doğru olduğundan emin olun. Pil kapağını yerine takın.
3. Yedek piller takıldıktan sonra, radyoya güç vermek için ana pil takımını takın.

## Birlikte verilen AC güç adaptörünün kullanılması

Lastik koruyucuyu çıkarın ve adaptör fişini radyonun sağ tarafından bulunan DC yuvasına takın. Adaptörü standart ana şebeke fişi çıkışına takın. Adaptörü her kullandığınızında pil takımının bağlantısı otomatik olarak kesilir.

### ⚠ DİKKAT:

- **Radyoyu taşımadan önce her zaman AC güç adaptörü bağlantısını kesin. AC adaptörü çıkarılmazsa elektrik çarpmasına neden olabilir.**
- **Hiç bir zaman adaptörün kablosunu çekmeyin ve/veya sürüklemeyin. Yerine tam olarak yerleştirilmediği takdirde pil kaza ile düşebilir ve size veya çevrenizdeki başka kişilere zarar verebilir.**

### ÖNEMLİ:

- Radyonun ana şebeke güç kaynağına bağlantısını sağlama aracı olarak şebeke adaptörü kullanılır. Radyo için kullanılan ana şebeke yuvası normal kullanım sırasında her zaman erişilebilir olmalıdır.
- Radyonun bağlantısının tamamen kesilmesi için, ana şebeke adaptörü ana şebeke çıkış noktasından tamamen çıkarılmalıdır.
- Yalnızca ürünle birlikte verilen veya Makita tarafından belirtilen AC güç adaptörü kullanın.
- Güç kablosunu ağızınızla tutup takmayın. Böyle yaptığınızda elektrik çarpmasına neden olabilir.
- Güç kablosuna ıslak veya yağlı ellerle dokunmayın.
- Zarar görmüş veya düğümlemiş kablolar elektrik çarpması riskini artırır. Kablo hasar gördüğünde, herhangi bir güvenlik tehlikesini önlemek için yetkili servis merkezimizde kablounuzu değiştirin. Onarmadan önce onu kullanmayın.
- Kullandıktan sonra AC güç adaptörünü her zaman çocukların erişemeyeceği bir yerde muhafaza edin. Çocukların kabloyla oynaması yaralanmalarına neden olabilir.

### Not:

Radyonuzun adaptörünün AM bandına bir engelini olması durumunda lütfen radyonuzu AC güç adaptöründen en az 30 cm uzağa taşıyın.

## USB güç kaynağı bağlantı noktası ile şarj etme

Radyonun ön kısmında bir USB bağlantı noktası vardır. USB cihazınızı USB bağlantı noktası aracılığıyla şarj edebilirsiniz.

1. MP3 veya CD çalar gibi cihazlarınızı piyasada bulunan USB kablolarıyla bağlayabilirsiniz.
2. Radyonuzu açmak için Power (Güç) düğmesine basın.
3. Radyonuz ister AC güce, isterse pile bağlı olsun; açık olduğunda, FM radyo modunda, BT modunda, harici bir ses kaynağı bağlandığında görünecek AUX modunda olduğunda, USB cihazı şarj edebilir.

### Not:

- AM modu sırasında USB cihazları şarj edemezsiniz çünkü, USB cihaz şarj edilirken radyo sinyali alımı son derece kötü olur.
- USB ile şarj edildiği esnada hoparlörün maksimum ses çıkışı azalacaktır.
- USB soketi maksimum 5V/2.4A elektrik akımı sağlayabilir.

### Önemli:

- USB cihazını şarja bağlamadan önce her zaman USB cihazınızdaki verileri yedekleyin. Aksi takdirde verilerinizi kaybetme olasılığıyla karşı karşıya kalabilirsiniz.
- Şarj cihazını bazı USB cihazlarına güç sağlamayabilir.
- Kullanmadığınızda veya şarjdan sonra USB kablosunu çıkarın ve kapağını kapatın.
- USB bağlantı noktasına güç kaynağı bağlamayın. Aksi takdirde yangın riski olabilir. USB bağlantı noktası yalnızca düşük voltaj cihazların şarj edilmesi amaçlıdır. Düşük voltajlı cihazı şarj etmediğiniz zamanlarda daima kapağı USB bağlantı noktasına takın.
- USB güç kaynağı bağlantı noktasına çivi, tel vb. gibi cisimler sokmayın. Aksi takdirde olabilecek bir kısa devre dumana ve yangına neden olacaktır.
- Büyük ihtimalle ünitelerin arızalanmasına neden olabileceğinden bu USB yuvası ile Bilgisayarınızın USB bağlantı noktası arasında bağlantı yapmayın.

## RADYO DİNLEME

### AM/FM Tarama Ayarı

### Not:

FM anteni kulp içerisine yerleştirilmiştir. Radyo çalışırken lütfen daha iyi sinyal yakalamak için radyonun üzerindeki kolu iyice düzeltin. AM bandı için, AM anten radyo içerisinde dahili olduğundan, en iyi sinyali yakalamak için radyoyu döndürün.

1. Radyonuzu açmak için Power (Güç) düğmesine basın.
2. AM veya FM radyo modunu seçmek için Kaynak düğmesine basın.
3. Otomatik arama gerçekleştirme için Ayar kontrol düğmesine basılı tutun. Radyonuz mevcut gösterilen frekanstan başlayarak tüm AM/FM bandını tarayacak

- ve yeterli güçte bir istasyon bulunduğunda otomatik olarak taramayı durduracaktır.
- Birkaç saniye sonra ekran güncellenecektir. Ekran bulunan sinyalin frekansını gösterecektir.
  - Başka bir istasyon bulmak için, önceki gibi Ayar kontrol düğmesine basılı tutun.
  - Dalga bandının sonuna ulaşıldığında radyonuz ayar işlemine dalga bandının karşı ucundan tekrar başlayacaktır.
  - Ses seviyesini gerektiği gibi ayarlamak için Ayar kontrol düğmesini çevirin.

**Not:**

- Sesi ayarlarken ekranda FM/AM yazısının yanıp sönmeye başladığından emin olun.
  - Ekranda AM/FM yanıp sönyorsa, bu elle istasyon araması yapabilenize izin verir (daha fazla ayrıntılı bilgi için "Elle ayarlama – AM/FM" bölümüne göz atın).
  - Ses çok fazla olmamalıdır. Olası duyma hasarını önlemek için, uzun süre boyunca yüksek ses seviyelerinden dinlemeyin.
- Radyonuzu kapatmak için Power (Güç) düğmesine basın.

**Manüel ayarlama – AM/FM**

- Radyonuzu açmak için Power (Güç) düğmesine basın.
- Source (Kaynak) düğmesine basın AM veya FM radyo modunu seçmek için.
- Ayar kontrol düğmesine basın ve ekranda FM veya AM yazısının yanıp söndüğünü göreceksiniz.

**Not:**

- FM/AM yaklaşık 10 saniye yanıp sönecek. Bu süre içerisinde, sadece elle ayarlama yapılabilir.
  - FM/AM yanarken ses ayarı yapmak isterseniz yanıp sönmeyi durdurmak için Ayar kontrol düğmesine basın ve ses seviyesini ayarlamak için Ayar kontrol düğmesini döndürebilirsiniz.
- Bir istasyon bulmak için Ayar kontrol düğmesini döndürün.
  - Dalga bandının sonuna ulaşıldığında radyonuz ayar işlemine dalga bandının karşı ucundan tekrar başlayacaktır.
  - Ses seviyesini gerektiği gibi ayarlamak için Ayar kontrol düğmesini çevirin.

**İstasyonların AM/FM modunda önceden ayarlanması**

Her AM ve FM radyo için 5 hazır ayar istasyon vardır. Bunlar her dalga için aynı şekilde kullanılır.

- Radyonuzu açmak için Power (Güç) düğmesine basın.
- İstenilen dalga bandını seçmek için Kaynak düğmesine basın. Önceden de açıklandığı gibi gereken radyo istasyonunu bulun.
- Ekranda "P4" gösterilene kadar, örneğin frekanstan sonra, gereken Hazır Ayar düğmesine (1-5) basılı tutun. İstasyonun hazır ayar sayısını kullanarak kaydedilecektir. Geri kalan ön ayarlarda da bu prosedürü dilediğiniz gibi tekrarlayın.

- Zaten kaydedilmiş hazır ayarlı istasyonlar gerektiğinde yukarıdaki prosedürle silinip üzerine yazılabilir.

**Ekran modları – FM**

- Radyonuzun FM radyo modunda bir dizi ekran seçeneği vardır.
- Dinlediğiniz istasyonun RDS (Radyo Veri Sistemi) bilgisini görmek için üst üste Menü/Info düğmesine basın.
- İstasyon adı Dinlenmekte olan istasyonun adını gösterir.
  - Program türü Pop, Klasik, Haber vb gibi dinlenmekte olan istasyonun türünü gösterir.
  - Radyo metni Yeni şeyler vb gibi radyo metin mesajlarını gösterir.
  - Yıl/Gün Radyonuzun tarih ayarına göre yılı ve haftanın gününü gösterir.
  - Tarih/Gün Radyonuzun tarih ayarına göre tarihi ve haftanın gününü gösterir.
  - EQ modu Dinlenen istasyon için FM'in EQ modunu gösterir.
  - Frekans Dinlenen istasyon için FM'in frekansını gösterir.

**FM stereo (otomatik)/mono**

Dinlenen FM radyo istasyonunun zayıf sinyalinin olması durumunda bazı tıs sesleri duyulabilir. Bu tıs sesleri, radyonun istasyonu stereo yerine mono olarak dinletmesiyle azaltılabilir.

- FM bandını seçmek için gerektiği gibi Kaynak düğmesine basın ve önceden de belirtildiği gibi istenilen FM istasyonunu arayın.
- Menü ayarına girmek için Menü/Bilgi düğmesine basılı tutun.
- Ekranda "FM OTOMATİK (veya MONO)" yazısı görünene kadar Ayar kontrol düğmesini döndürün. Ayar Otomatik ise, Ayar kontrol düğmesine basın ve daha sonra tıs sesini azaltmak için Mono moda geçmek için Ayar kontrol düğmesini döndürün. Tercihleri seçmek için Ayar kontrol düğmesine basın.

**AM/FM modunda bir hazır ayarı geri getirme**

- Radyonuzu açmak için Power (Güç) düğmesine basın.
- AM veya FM radyo modunu seçmek için Kaynak düğmesine basın
- Radyonuzla hazır ayar hafızasında kayıtlı istasyonlardan birisini bulmak için bir anlığına gereken Hazır Ayar düğmesine basın.

**ÇEŞİTLİ AYARLAR**

**Saat ve tarih biçiminin ayarlanması**

Saat ekranını bekleme modunda kullanılır ve oyun modu ekranlarında farklı bir biçimde ayarlanabilir. Seçilen biçim

daha sonra alarm ayarlanırken de kullanılır.

1. Menü ayarına girmek için Menü/Bilgi düğmesine basılı tutun.
2. Ayar kontrol düğmesini ekranda "SAAT xxH" gösterilene kadar döndürün ve ayarlara girmek için Ayar kontrol düğmesine basın. Saat biçiminin yanıp sönmeye başlamasını göreceksiniz.
3. 12 veya 24 saat formatından birisini seçmek için Ayar kontrol düğmesini döndürün. Saat formatı seçiminizi onaylamak için Ayar kontrol düğmesine basın.  
**Not:**  
12 saat formatı seçilmişse, radyo daha sonra ayarlar için 12 saat formatı kullanacaktır.
4. Menü ayarına girmek için Menü/Bilgi düğmesine basılı tutun.
5. Ayar kontrol düğmesini ekranda bir tarih (örn: PERŞ NİS 3 gibi) gösterilene kadar döndürün ve ayarlara girmek için Ayar kontrol düğmesine basın. Tarih formatının yanıp sönmeye başladığını göreceksiniz.
6. İsteddiğiniz formatı seçmek için Ayar kontrol düğmesini döndürün. Seçiminizi onaylamak için Ayar kontrol düğmesine basın.

### Saat zamanının ve tarihin ayarlanması

1. Menü/Bilgi düğmesini basılı tutun.
2. Ekranda "SAAT AYR" görünene kadar Ayar kontrol düğmesini döndürün. Ayarlara girmek için Ayar kontrol düğmesine basın.
3. Ekranda saat ayarı yanıp sönmeye başlayacak. İsteddiğiniz saati seçmek için Ayar kontrol düğmesini döndürün ve ayarı onaylamak için Ayar kontrol düğmesine basın. Daha sonra istediğiniz dakikayı seçmek için Ayar kontrol düğmesini döndürün ve ayarı onaylamak için Ayar kontrol düğmesine basın.
4. Ekranda "TARİH AYR" görünene kadar Ayar kontrol düğmesini döndürün. Ayarlara girmek için Ayar kontrol düğmesine basın.
5. İsteddiğiniz yılı seçmek için Ayar kontrol düğmesini döndürün ve ayarı onaylamak için Ayar kontrol düğmesine basın. Daha sonra istediğiniz ayı seçmek için Ayar kontrol düğmesini döndürün ve ayarı onaylamak için Ayar kontrol düğmesine basın. Daha sonra istediğiniz tarihi seçmek için Ayar kontrol düğmesini döndürün ve ayarı onaylamak için Ayar kontrol düğmesine basın.

### Radyo Veri Sistemi (RDS)

RDS fonksiyonunu kullanarak saat zamanını ayarladığınızda radyonuz RDS ile CT sinyallerini kullanarak bir radyo istasyonu bulduğunda saat zamanını senkronize edecektir.

1. RDS veri yayını yapan bir istasyonun ayarlanması durumunda, ekranda RDS sembolü gösterilecektir. Menü/Bilgi düğmesini basılı tutun.
2. Ekranda "RDS CT" ve bir saat sembolü görünene kadar Ayar kontrol düğmesini döndürün. Ayarlara girmek için

Ayar kontrol düğmesine basın.

3. Ekranda "RDS CT" görünene kadar Ayar kontrol düğmesini döndürün. Ayarları onaylamak için Ayar kontrol düğmesine basın. Radyonun saat zamanı alınan RDS verisine göre otomatik olarak ayarlanacaktır.

#### Not:

- Radyo saati RDS CT ile senkronize edildiği her zaman, 5 gün boyunca geçerli olacaktır.
- RDS CT işlevini devre dışı bırakmak için 1 - 2in adımlara geri dönün ve daha sonra "MANUEL" seçeneğini seçmek için Ayar kontrol düğmesini döndürün. Ayarları onaylamak için Ayar kontrol düğmesine basın.

### Çalar saatin ayarlanması

Radyonuzun, sizi AM/FM radyo veya zil sesiyle uyandırmak için ayarlanabilecek iki alarm seçeneği bulunmaktadır. Alarmlar, birim bekleme modunda veya çalarken ayarlanabilir.

#### Not:

Alarmları ayarlamadan önce saatin doğru ayarlandığından emin olun. 10 saniye boyunca herhangi bir düğmeye basılmamışsa, radyo alarm kurulumundan çıkacaktır.

#### a. Radyo alarm saatinin ayarlanması:

1. Radyo açık veya kapalı olduğunda radyo ayarlanabilir.
2. Radyo alarm düğmesine basılı tutun, bir bip sesiyle birlikte ekranda radyo alarm sembolü ve saat yanıp sönmeye başlayacak.
3. Radyo alarm sembolü yanıp sönerken saati seçmek için Ayar kontrol düğmesini döndürün ve saat ayarını onaylamak için tekrar Ayar kontrol düğmesine basın. Daha sonra dakika seçmek için Ayar kontrol düğmesini döndürün ve dakika ayarını onaylamak için Ayar kontrol düğmesine basın.
4. Ayar kontrol düğmesini döndürün ve ekranda alarm için frekans seçenekleri görülecektir. Alarm seçenekleri aşağıdaki gibidir:  
BİR KEZ – alarm bir kez çalacaktır  
HER GÜN – alarm her gün çalacaktır  
HAFTA İÇİ – alarm, yalnızca hafta içi günlerde çalacaktır  
HAFTA SONU – alarm, yalnızca hafta sonlarında çalacaktır  
Ayarları onaylamak için Ayar kontrol düğmesine basın.
5. Radyo alarm sembolü yanıp sönerken istediğiniz uyanma bandını ve istasyonunu seçmek için Ayar kontrol düğmesini döndürün ve daha sonra seçimi onaylamak için Ayar kontrol düğmesine basın.
6. İsteddiğiniz ses seviyesini seçmek için Ayar kontrol düğmesini döndürün ve ses seviyesini onaylamak için Ayar kontrol düğmesine basın. Radyo alarm ayarı artık tamamlandı.

#### Not:

- Yeni radyo alarm istasyonunun seçilmemesi durumunda, son alarm istasyonu seçilecektir.
- Seçilen AM/FM alarm istasyonunun alarm çalarken

uygun olmaması durumunda, bunun yerine zil sesi alarmı kullanılacaktır.

#### **b. HWS (İnsani Uyardırma Sistemi) zil sesi alarmının kurulması:**

HWS sesli alarm seçilirken bir bip sesi devreye girecektir. Alarm bip sesi bir dakika boyunca her 15 saniyede bir daha kısa çalacak, ardından döngüyü tekrarlamadan önce bir dakikalık sessizlik olacaktır.

1. Radyo açık veya kapalı olduğunda zil sesi alarmı ayarlanabilir.
2. Zil sesi alarm düğmesine basılı tutun, bir bip sesiyle birlikte ekranda sembol ve saat yanıp sönmeye başlayacak.
3. Sesli alarm sembolü yanıp sönerken saati seçmek için Ayar kontrol düğmesini döndürün ve saat ayarını onaylamak için tekrar Ayar kontrol düğmesine basın. Daha sonra dakika seçmek için Ayar kontrol düğmesini döndürün ve dakika ayarını onaylamak için Ayar kontrol düğmesine basın.
4. Ayar kontrol düğmesini döndürün ve ekranda alarm için frekans seçenekleri görülecektir.  
Alarm seçenekleri aşağıdaki gibidir:  
BİR KEZ – alarm bir kez çalacaktır  
HER GÜN – alarm her gün çalacaktır  
HAFTA İÇİ – alarm, yalnızca hafta içi günlerde çalacaktır  
HAFTA SONU – alarm, yalnızca hafta sonlarında çalacaktır.  
Ayarları onaylamak için Ayar kontrol düğmesine basın.

#### **Not:**

Sesli alarm için herhangi bir ses ayarı yoktur.

#### **Alarm sesinin durdurulması**

Çalan bir alarmı iptal etmek için Power (Güç) düğmesine basın.

#### **Alarm ayarının devre dışı bırakılması**

Alar çalmadan önce alarm ayarını devre dışı bırakmak için ekranda alarm sembolü kaybolana kadar ilgili alarm alarm düğmesine basılı tutun.

#### **Uyku**

1. Alarm çaldığında, Power (Güç) düğmesinden başka bir düğmeye basmak alarmı 5 dakikalığına susturacaktır. Ekranda "ERTELE" seçeneği görünecek.
2. Erteleme zamanı için susturma zamanını ayarlamak için, menü ayarına girmek için Menü/Bilgi düğmesine basılı tutun.
3. Ayar kontrol düğmesini ekranda "ERTELEME X" gösterilene kadar döndürün ve daha sonra ayarları girmek için Ayar kontrol düğmesine basın. Susturma zamanını 5, 10, 15 ve 20 dakikalık erteleme zamanlarına ayarlamak için Ayar kontrol düğmesini döndürün.
4. Alarm askıya alındığında erteleme zamanını iptal

etmek için Power (Güç) düğmesine basın.

#### **Uyku zamanlayıcı**

Radyonuz, önceden belirlenen belirli bir süre geçtikten sonra otomatik kapanmaya ayarlanabilir. Uyku Zamanlayıcı ayarları 60, 45, 30, 15, 120 ve 90 dakikalık aralarda ayarlanabilir.

1. Uyku Zamanlayıcı ayarına girmek için Power (Güç) düğmesine basılı tutun. Ekranda "UYKU XX" seçeneği görünecek.
2. Power (Güç) düğmesini basılı tutmaya devam edin ve ekranda Uyku Zamanlayıcı seçenekleri açılacaktır. İstenilen Uyku Zamanlayıcı ayarı ekranda görünene kadar durmayın. Ayar kaydedilecek ve LCD normal ekrana dönecektir.
3. Önceden belirlenen Uyku zamanlayıcı süresi geçtikten sonra radyo otomatik olarak kapanacaktır. Ekranda, aktif Uyku Zamanlayıcı süresini gösteren Uyku Zamanlayıcı simgesi görüntülenecektir.
4. Uyku Zamanlayıcı fonksiyonunu önceden belirlenen zaman geçmeden önce iptal etmek için, birimi elle kapatmak için sadece elle Power (Güç) düğmesine basın.

#### **Ses gücü**

Yüksek ses fonksiyonunu ayarlamak için radyonuzun düşük ve yüksek frekanslarda çalışmasını sağlayabilirsiniz.

1. Menü ayarına girmek için Menü/Bilgi düğmesine basılı tutun.
2. Ekranda "SES AÇIK" veya "SES KAPALI" görünene kadar Ayar kontrol düğmesini döndürün. Ayarlara girmek için Ayar kontrol düğmesine basın.
3. Ses fonksiyonunu açmak için AÇIK seçmek için Ayar kontrol düğmesini döndürün ve daha sonra ayarı onaylamak için Ayar kontrol düğmesine basın.
4. Ses fonksiyonunu kapatmak için KAPALI seçeneğini seçin ve ayarı onaylamak için Ayar kontrol düğmesine basın.

#### **Ekolayzer fonksiyonu**

Farklı EQ modlarını göstermek için Ayar kontrol düğmesi etrafında 7 tür renkli LED göstergesi vardır.

1. Radyonuzu açmak için Power (Güç) düğmesine basın.
2. EQ ayar menüsüne girmek için EQ kontrol düğmesine basın.
3. Sizin için gerekli modu seçmek için Ayar kontrol düğmesini döndürün. Daha sonra seçimi onaylamak için Ayar kontrol düğmesine basın.

EQ modu	LED göstergesi
DÜZ	Beyaz
CAZ	Mavi
KAYA	Kırmızı
KLASİK	Brown
POP	Pembe
HABERLER	Sarı
BENİM EQ	Yeşil



## Benim EQ profilimi kur

1. EQ ayar menüsüne girmek için EQ kontrol düğmesine basın.
2. "BENİM EQ" seçeneğini seçmek için Ayar kontrol düğmesini döndürün. Daha sonra, "BAS" ayarlara girmek için Ayar kontrol düğmesine basın.
3. Sizin için gerekli bas seviyesini seçmek için Ayar kontrol düğmesini döndürün. "ORTA" ayarlara girmek için Ayar kontrol düğmesine basın.
4. Sizin için gerekli orta seviyeyi seçmek için Ayar kontrol düğmesini döndürün. "TİZ" ayarlara girmek için Ayar kontrol düğmesine basın.
5. Sizin için gerekli titreşim seviyesini seçmek için Ayar kontrol düğmesini döndürün. Ayarları onaylamak için Ayar kontrol düğmesine basın.

### Not:

- Bas vurgusu yapmak için ekolayzer kullanırken ve yüksek ses seviyelerinde dinlerken, ses parçalanması ve bozulmasına neden olabilir. Bu durumda, radyo sesini uygun şekilde ayarlayın.

## BLUETOOTH YAYIN İLE MÜZİK DİNLEME

Radyo aracılığıyla Bluetooth müzik oynatma/yürütme otomatik bağlantısı yapmadan önce Bluetooth cihazınızın radyoya bağlantısını yapmanız gerekmektedir. Eşleştirme bir 'Bağ' oluşturduğundan iki cihaz daha sonra birbirini tanıyabileceklerdir.

### Not:

- Daha iyi bir ses kalitesi elde etmek için Bluetooth cihazınızdaki ses seviyesini üçte ikiden daha yükseğe ayarlamaz ve daha sonra radyodaki sesi de gerektiği gibi ayarlamaz öneririz.
- Radyo, 8 takım eşleşmiş cihaza kadar hafızada tutabilir, bu bellek aşıldığında ise, en eski eşleştirme geçmişi silinerek yenisi üzerine yazılır.

## Bluetooth cihazınızın ilk kez eşleştirilmesi

1. Radyoyu açmak için Güç düğmesine basın. Bluetooth modu seçmek için Kaynak düğmesine basın. Ekranda "BT EŞLEŞTİRME" ve "EŞLEŞTİR" seçenekleri yanıp sönecektir.
2. Cihazın kullanım kılavuzuna göre radyoya bağlanması için cihazınızda Bluetooth özelliğini etkinleştirin. Bluetooth cihaz listesini bulun ve 'DMR114' adlı cihazı seçin, bazı mobil cihazlarda (BT2.1 Bluetooth cihazı önceki sürümüne sahip olanlar) şifre olarak "0000" girmeniz gerekebilir.
3. Bağlandıktan sonra onay tonu sesi duyulacak. "BLUETOOTH" yazısı ekranda kalacak ve arka ışık 10 saniye içinde sönecektir. Tek yapmanız gereken kaynak cihazınızdan herhangi bir müziği seçmek ve

oynatmak olacaktır. Ses kontrolü kaynak cihazınızdan veya doğrudan radyodan ayarlanabilir.

4. Parçaları oynatmak/durdurmak ve parça listesinde gezinmek için Bluetooth etkinleştirilmiş cihazınızda veya radyoda bulunan kontrolleri kullanın.

### Not:

- Şayet ilk kez 2 Bluetooth cihazı eşleştiriliyorsa, her ikisi de radyoyu arayacak, her bir cihazda uygun olup olmadıkları gösterilecektir. Ancak, cihazlardan biri bu üniteye ilk olarak bağlandığında, diğer Bluetooth cihazı diğer cihazı listede bulamayacaktır.
- Bluetooth cihazınızın radyo bağlantısının geçici olarak kesilmesi durumunda, cihazınızı yeniden elle radyoya bağlamanız gerekecektir.
- Bluetooth cihazınızın listesinde 'DMR114' görüntüleniyor ancak cihazınız araca bağlanamıyorsa, lütfen cihazı listenizden silin ve burada daha önce belirtilen adımları takip ederek cihazı radyo ile yeniden eşleştirin.
- En iyi Bluetooth yayını kapsama alanı yaklaşık olarak radyo ile 10 metre mesafedir (30 feet) (görüş mesafesi) ancak 30 metreye (100 feet) kadar mesafelerde de çekmesi mümkündür.
- Ayırma zamanının aşılması, en uygun mesafenin aşılması, engeller veya başka şeyler nedeniyle Bluetooth bağlantısının kesilmesi durumunda, cihazınızın tekrar radyoya bağlanması gerekebilir.
- Fiziksel engeller, diğer kablosuz cihazlar veya elektromanyetik cihazlar da bağlantı kalitesini etkileyebilir.
- Bluetooth bağlantı performansını bağlanan Bluetooth cihazlarına bağlı olarak değişiklik gösterebilir. Lütfen radyo bağlantısı yapmadan önce cihazınızın Bluetooth özelliklerine göz atın. Eşleştirilen bazı Bluetooth cihazlarında tüm özellikler desteklenemeyebilir.

## Bluetooth modunda ses dosyalarını oynatma

Radyoyu seçmiş olduğunuz Bluetooth cihazına başarılı bir şekilde bağladığınızda, bağlanmış olduğunuz Bluetooth cihazınızdaki kontrolleri kullanarak müziklerinizi oynatmaya başlayabilirsiniz.

1. Oynatmaya başladıktan sonra radyo veya etkinleştirdiğiniz Bluetooth cihazınız üzerindeki Ses düğmesini kullanarak sesi istediğiniz ayara getirebilirsiniz.
2. Parçaları oynatmak/durdurmak ve parça listesinde gezinmek için Bluetooth kaynak cihazınızdaki kontrolleri kullanın. Alternatif olarak, radyonuzdaki Oynat/Duraklat, Sonraki parça, Önceki parça düğmelerini oynatmayı kontrol edebilirsiniz.
3. Geçerli parçadan ileri gitmek için Sonraki parça veya Önceki parça düğmesine basılı tutun. İstediğiniz yere geldiğinizde düğmeyi bırakın.

### Not:

- Bu kontrollerin tamamına medya oynatıcı uygulamalar veya cihazların bazılarının yanıt vermeyebileceğini

ağlınızda bulundurun.

- Arama yaparken veya cevaplarken bazı mobil telefonların radyo ile bağlantısı kesilebilir. Bazı cihazlar, kısa mesaj, e-posta alırken veya ses ortamı yürütmeye bağlı olmayan başka nedenlerle Bluetooth ses ortamı yürütme özelliğini geçici olarak sessize alabilir. Bu davranış bağlanan cihazın bir özelliğidir ve radyoda herhangi bir arıza olduğunu göstermez.

### Daha önceden eşleştirilen bir Bluetooth kaynak cihazından oynatma

Bluetooth cihazınız radyoyla önceden eşleşmiş ise, ünite Bluetooth cihazınızı hafızaya alır ve hafızada son olarak bağlanan cihaza yeniden bağlanmayı dener. En son bağlanılan cihaza ulaşamıyorsa, radyo görünür duruma gelecektir.

### Bluetooth cihazınızın bağlantısını kesme

Ekranda "BT EŞLEŞTİRME" görünene kadar Bluetooth eşleştirme düğmesine basılı tutun veya bağlantıyı devre dışı bırakmak için Bluetooth cihazınızdaki Bluetooth özelliğini kapatın.

Ayrıca, bağlantıyı devre dışı bırakmak için Bluetooth modundan başka bir modu seçmek için Kaynak düğmesine de basabilirsiniz.

### Bluetooth cihaz belleğinin silinmesi

Tüm eşleştirilmiş cihazların hafızasını temizlemek için Bluetooth eşleştirme düğmesine ekranda "TEMİZLENİYOR" görünene kadar 5 saniye boyunca basılı tutun.

## YARDIMCI GİRİŞ YUVASI

MP3 veya CD çalar gibi bir harici ses cihazından birim içerisine ses sinyalinin gönderilmesine izin vermek için radyonuzun ön tarafından 3.5mm Aux giriş soketi bulunmaktadır.

1. SES GİRİŞ yuvasına harici ses kaynağı (örneğin, MP3 veya CD Çalar) bağlayabilirsiniz.
2. Radyonuzu açmak için Power (Güç) düğmesine basın.
3. "SES GİRİŞ" görüntülenene kadar Kaynak düğmesine art arda basın.
4. Daha iyi bir ses kalitesi elde etmek için ses cihazınızdaki ses seviyesini üçte ikiden daha yükseğe ayarlamaz ve daha sonra radyodaki sesi de gerektiği gibi ayarlamazı öneririz.

#### Not:

Ses kablosu standart aksesuarlara dahil değildir.

## BAKIM

#### ⚠ DİKKAT:

- Hiç bir zaman benzin, gaz, tiner, alkol veya benzerlerini kullanmayın. Renk değişikliği, deformasyon veya çatlaklara neden olabilir.
- Radyoyu suyla yıkamayın.

## TEKNİK ÖZELLİKLER

Güç gereksinimleri	
AC güç adaptörü	DC 12V 2.5A, orta pin pozitif
Bateri	UM-3 (AA boyutu) x2 - yedek için Kayar batarya: 10.8V - 18V
Frekans kapsama alanı	FM87.50-108MHz (0.05MHz/adım) AM(MW)522-1,710kHz (9 kHz/adım)

Bluetooth®	
(Bluetooth® kelime markası ve logoları, Bluetooth SIG, Inc. şirketinin sahip olduğu tescilli ticari markalardır)	
Bluetooth sürümü	5.0 Onaylı
Bluetooth Profilleri	A2DP/SCMS-T/AVRCP
Aktarım Gücü	Güç Sınıfı 2
Aktarım Mesafesi	Optimum: Maks.10 metre (33 feet) Mümkün: Maks.30 metre (100 feet) (kullanım koşullarına göre değişiklik gösterebilir)
Desteklenen kodak	SBC
Uyumlu Bluetooth profili	A2DP/AVRCP
Maksimum radyo-frekans gücü	BT EDR: 3.91dBm
Çalışma Frekansı	2402MHz~2480MHz

Devre özelliği	
Hoparlör	2.5 inç 8 ohm x2 4 inç 6 ohm x1
Çıkış gücü	10.8V-12Vmax: 2W x2 +10W 14.4V: 3W x2 +15W 18V: 5W x2 + 25W
Giriş terminali	3.5 mm çap (AUX GİRİŞİ)
Anten sistemi	FM: Dahili anten AM: çubuk anten
Boyutlar (U x E x B)	268 x 164 x 295 mm
Kilo	4.9 KG (pilsiz)

## 總圖說明 (圖 1)

1. 內建天線 (AM 調幅)
2. 手把 / 內建天線 (FM 調頻)
3. 電池室扣鎖
4. 電池室蓋 (包覆主電池)
5. 喇叭
6. DC IN (變壓器) 插孔
7. 重低音喇叭
8. 電源 / 睡眠定時鍵
9. 音源鍵
10. 收音機鬧鐘
11. 蜂鳴式鬧鐘
12. 預設 3 / 播放 / 暫停
13. 預設 5
14. 預設 4 / 下一曲
15. 音量 / 選台控制 / 選擇 旋鈕
16. EQ 均衡器
17. AUX IN 音源輸入孔
18. USB 充電孔
19. 選單 / 資訊
20. EQ 均衡器的 LED 顯示燈
21. 預設 2 / 上一曲
22. 預設 1 / 藍牙配對
23. LCD 屏幕
24. 主電池室
25. 備用電池室

## LCD 螢幕

- A. 收音機鬧鐘
- B. 蜂鳴式鬧鐘
- C. 立體聲符號
- D. 低電量指示
- E. 時鐘
- F. 頻道
- G. RDS (Radio Data System 無線電數據廣播)
- H. 睡眠定時
- I. (時鐘) 下午

## 符號

以下是用於本機的符號。使用本機前務必明白它們的含義。



請閱讀本說明書。



僅適用於歐盟成員國。

請勿將電器設備或主電池與生活垃圾一同處置！遵守歐盟關於廢棄電器、電子設備、電池、蓄電池、廢棄蓄電池和蓄主電池的指令，並依據國家法律，在電氣設備、

## 重要的安全說明

### ⚠ 警告：

使用電動工具時應遵循基本的安全預防措施，以降低火災、觸電和人身傷害風險，安全措施包括：

1. 使用前請閱讀本機說明書和充電器說明書。
2. 請用乾布清潔。
3. 勿將本機安放在靠近暖氣、電熱器、爐子等熱源或發熱設備 (包括擴大機) 之處。
4. 僅使用製造商指定的附件。
5. 雷雨天或長時間不用時，需拔下電源插頭。
6. 使用集成電池或單獨電池供電的收音機，其電池只能使用指定的電池充電器進行充電。適用於某款電池的充電器在與另一款電池一起使用時可能產生火災。
7. 請使用指定的主電池驅動收音機，使用任何其他電池可能會引起火災。
8. 不使用主電池時，存放在遠離其他金屬物體，如迴紋針、硬幣、鑰匙、釘子、螺絲、或可造成兩極短路的其他小金屬。電池端子短路可引起火花、燃燒或火災。
9. 避免身體接觸管道、暖氣、電灶、冰箱等接地表面。身體接地會增加電擊風險。
10. 電池若使用不當可能會從電池滲出液體，請勿接觸。若意外接觸電池漏液，需用水沖洗，若液體不慎侵入眼睛需立即就醫，電池流出的液體會刺激或燒傷皮膚。
11. 請勿使用受損或改裝過的主電池或工具，否則會出現不可預測的結果，帶來人身傷害或爆炸風險。
12. 不要使主電池或工具接觸火源或高溫，暴露於火源或 130 °C(266°F) 以上高溫下會引起爆炸。
13. 遵守充電說明，請勿在超過說明書指定的溫度下給主電池或工具充電。充電不當或在超出指定溫度範圍下充電，會損壞電池並增加火災風險。
14. 交流電源插頭用作斷路裝置，且應保持可隨時操作。
15. 請勿長時間在大音量下使用本產品。為避免聽力損害，請將音量調整至適當大小。
16. (具有 LCD 屏幕的產品而言) LCD 屏幕含有刺激或有毒的液體。若液體侵入眼睛、口中或接觸到皮膚，請用清水沖洗並立刻就醫。
17. 勿使本產品淋雨或受潮，產品進水會增加觸電的風險。
18. 本產品不適合身體感官及心智能力不足 (含兒童)，或缺乏經驗和常識者使用。在保証使用者安全之下，需給予監督或指導才能使用。請確保兒童不會將本產品當作玩具，並置於兒童拿不到的地方。

## 請保存好此說明書

## 主電池的特定安全規則

1. 使用主電池前，需仔細閱讀說明書並充分理解 (1) 充電器、(2) 電池 和 (3) 使用電池的產品上的警示標誌的含義。
2. 請勿拆卸主電池。
3. 若電池工作時間變得過短，則立即停止使用。電池過熱時可能引起燃燒甚至爆炸。
4. 若電解液侵入眼睛，請立即用清水沖洗並就醫。電解液可能會造成失明。
5. 勿使主電池短路：
  - 1) 請勿使用導電材料接觸電池兩極。
  - 2) 避免將主電池存放在裝有釘子、硬幣等金屬的容器內。
  - 3) 避免主電池接觸水或淋雨。電池短路可能引起大電流、過熱，造成燙傷甚至爆炸。
6. 請勿將工具和主電池存放在溫度可能達到或超過 50°C (122 °F) 的地方。
7. 即使電池已嚴重損壞或完全報廢也切勿焚燒主電池，主電池可能會在火中爆炸。
8. 注意不要掉落或撞擊電池。
9. 請勿使用已受損的電池。
10. 為了避免風險，使用之前請閱讀電池更換說明。電池最大充電電流應大於或等於 8A。
11. 所使用的鋰電池受危險貨物法的要求管制。第三方或運輸代理商進行商業運輸時，必須遵守特殊包裝和標識要求。準備運輸的物品時，需向專家進行危險材料諮詢，並遵守更細則的國家法規。電池露出的接觸點需用膠帶或薄膜遮蔽，以確保電池在包裝盒內不會晃動。
12. 遵守當地關於電池廢棄的規定。
13. 電池只使用於牧田 (Makita) 公司指定的產品。將電池裝入不符合規定的產品，可能會引起火災、過熱、爆炸或電解液洩漏。

### ⚠ 注意：

- 電池更換不當會有爆炸危險。
- 僅使用完全相同或等類型的電池進行更換。
- 僅使用正品的牧田電池。使用非正品或改裝過的電池會導致電池爆炸，並引起火災、人身傷害和財產損失，且牧田公司對於產品和充電器的保固會失效。

### 維持電池最長壽命的技巧

1. 在主電池電量完全用完之前充電，察覺到功率減少時，需停止使用並立即充電。
2. 切勿再給滿電電量的主電池充電，過度充電會縮短電池使用壽命。
3. 在室溫為 10°C - 40°C (50 °F - 104 °F) 之下給主電池充電，並在主電池冷卻後再充電。
4. 如果長時間未使用主電池 (六個月以上)，使用前要先充電。

## 操作時間

\* 適用於本收音機的主電池如下表所示。

\* 下表中表示充電一次的操作時間。

電池容量	主電池電壓			喇叭輸出功率 = 100mW 單位：小時（近似值）	
	10.8V – 12Vmax	14.4V	18V	收音機或音訊輸入	藍牙 +USB 充電
1.3 Ah		BL1415		3.5	0.7
			BL1815	4.0	1.0
1.5 Ah	BL1015 BL1016			6.0	0.8
		BL1415N BL1415NA		4.5	0.9
			BL1815N	5.0	1.2
2.0 Ah	BL1020B BL1021B			8.0	1.0
			BL1820 BL1820B	6.5	1.6
3.0 Ah		BL1430 BL1430B BL1430A		8.0	1.6
			BL1830 BL1830B	9.5	2.3
4.0 Ah	BL1040B BL1041B			16	2.1
		BL1440		13	2.5
			BL1840 BL1840B	13	3.2
5.0 Ah		BL1450		15	3.0
			BL1850 BL1850B	17	4.2
6.0 Ah		BL1460B BL1460A		17	3.3
			BL1860B	21	5.0

### ⚠ 警告：

只能使用表中記載的主電池，使用其他主電池可能會引起人身傷害或火災。

### 說明：

- 表中記載的電池操作時間僅供參考。
- 實際操作時間會隨電池型號、充電狀態或使用環境而異。

## 安裝電池和電源

### △ 注意：

- 打開和關閉電池蓋時，請注意不要夾傷手指。
- 安裝或拆卸主電池後，請將電池蓋復原關上並鎖好。若主電池意外從收音機脫落，可能會造成你或你身邊的人受傷。
- 移動收音機之前，務必保持電池蓋關上並鎖好。
- 在安裝或拆卸主電池之前，務必關掉收音機。
- 小心不要使收音機掉落或受到撞擊，破裂的外殼可能會劃傷您的手指或刺傷您的身體。損壞的收音機可能會引起火災、爆炸或人身傷害，導致不可預測的後果。

### 重要：

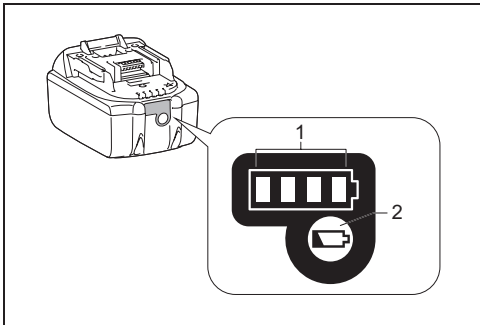
- 功率降低、聲音失真或斷斷續續，或屏幕上低電量指示以及“POWERFAIL”（電源故障）同時出現，表示需要更換主電池。
- 當出現低電量指示，及“EMPTY”（電量耗盡）不斷閃爍時，請更換備用電池。
- 不可使用產品提供的變壓器給主電池充電。
- 主電池不在標準配件中。

## 安裝或取出滑動式主電池（圖 4 & 圖 5）

- 安裝主電池時，將主電池上的舌簧與外殼內的凹槽對齊，然後將其滑動到底，直到聽到喀嗒聲表示鎖定到位。
- 如果還能看到按鍵上方的紅色指示表示沒有完全鎖住，需重新安裝直到看不到紅色指示為止。若主電池意外從收音機脫落，可能會造成你或你身邊的人受傷。
- 插入主電池時不可用力過猛。若主電池不能順利滑動，表示插入不正確。
- 取出主電池時，將其從收音機上滑開，並同時按壓滑動式主電池上的按鍵。

## 顯示電池殘餘電量

\* 僅適用於型號最後為“B”的主電池。



### > 1. 指示燈 2. 檢查鍵

按下主電池上的檢查鍵，可查看電池剩餘電量。指示燈會亮起數秒鐘。

### ● 14.4V/18V 主電池

指示燈			剩餘電量
亮	不亮	閃爍	
■ ■ ■ ■	□	◐	75% ~ 100%
■ ■ ■ □	□	◐	50% ~ 75%
■ ■ □ □	□	◐	25% ~ 50%
■ □ □ □	□	◐	0% ~ 25%
◐ □ □ □	□	◐	需要充電
■ ■ □ □	□	◐	電池可能故障
□ □ ■ ■	□	◐	

### ● 10.8V-12V 最大主電池

指示燈			剩餘電量
亮	不亮	閃爍	
■ ■ ■ ■	□	◐	75% ~ 100%
■ ■ ■ □	□	◐	50% ~ 75%
■ ■ □ □	□	◐	25% ~ 50%
■ □ □ □	□	◐	0% ~ 25%

### 說明：

依不同使用條件和溫度，顯示內容可能與實際電量略有差異。

## 安裝備用電池（圖 2 和圖 3）

保持備用電池在其備用電池室中，可防止已預設的電台消失。

1. 拉開電池室鎖扣打開後殼。電池室中有主電池室和備用電池室。
2. 打開備用電池室上蓋，裝入 2 個新的 UM-3 電池 (AA 號)。確認備用電池的正負極方向正確，關閉電池室蓋。
3. 備用電池安裝好後，需安裝主電池才可使用收音機。

## 使用隨配的變壓器

取下橡膠保護套，將變壓器插頭插入收音機右側的 DC IN 插孔中，再將變壓器插入標準電源插座。當使用變壓器時，主電池會自動斷開連接。

### △ 注意：

- 移動收音機之前，務必完全斷開變壓器。若未先移除變壓器，可能會引起觸電。

- 不要拉扯變壓器的電源線，收音機若不慎掉落，會造成你或你身邊的人受傷。

#### 重要：

- 變壓器用於將收音機連接到插座電源。連接收音機的電源插座必須保持可正常使用。
- 要關閉收音機電源，應將變壓器從電源插座中完全拔出。
- 僅使用隨產品提供的或牧田指定的交流變壓器。
- 請勿將電源線和插頭含在口中，這樣做會遭電擊。
- 請勿以潮濕或帶有油脂的手接觸電源插頭。
- 電線損壞或纏結在一起會增加觸電的危險。如果電線受損需更換請連絡我們授權的服務中心，以避免發生危險。修理好前請勿使用。
- 使用之後請將交流變壓器放到兒童拿不到的地方。如果兒童玩弄電線可能會受傷。

#### 說明：

當收音機的 AM 調幅波段受到變壓器的干擾時，請將收音機遠離交流變壓器 30 公分以上。

## USB 插孔充電

收音機的正面有 USB 插孔，可用來為 USB 裝置充電。

1. 用市售 USB 連接線連接 MP3 或 CD 播放機等 USB 裝置。
2. 按壓電源鍵打開收音機。
3. 無論收音機使用變壓器電源還是主電池電源，當打開收音機並在 FM 調頻模式、藍牙模式或音訊模式時（連接 AUX IN 音源時），收音機均可給 USB 裝置充電。

#### 說明：

- 由於在 AM 模式下給 USB 裝置充電，收音機的信號接收不佳，因此在 AM 模式下不能給 USB 裝置充電。
- 通過 USB 充電時，喇叭輸出的最大音量會減小。
- USB 插孔可提供最大 5V/2.4A 的電流。

#### 重要：

- 連接 USB 裝置進行充電之前，務必備份 USB 裝置的資料，以防萬一資料丟失。
- 某些 USB 裝置可能無法充電。
- 使用或充電之後，請拔出 USB 連接線並關好蓋子。
- 請勿將電源與 USB 充電插孔相連，否則有著火的風險。USB 充電插孔僅供給低壓裝置充電。不充電時務必蓋上 USB 插孔的蓋子。
- 請勿將釘子、電線等插入 USB 電源插孔，否則出現短路可能引起冒煙和起火。
- 請勿將此 USB 插孔與電腦的 USB 介面連接，否則極有可能引起設備故障。

## 收聽電台

### 掃描選台 AM/FM

注：FM 天線內建在把手中，操作收音機時請立起收音機上方把手，能使接收效果更好。AM 天線內建在收音機中，收聽 AM 電台時，可轉動或調整收音機方向以獲得最佳信號。

1. 按壓 Power 電源鍵打開收音機。
2. 按壓 Source 音源鍵選擇 AM 或 FM 電台。
3. 長按 Tuning control 選台控制旋鈕，會進行自動搜尋。收音機將從當前的頻率自動掃描 AM/FM 波段，並在搜尋至信號強度夠時停止掃描。
4. 顯示內容會在數秒鐘內更新，屏幕會顯示所搜尋到的信號頻率。

5. 如需變更其他電台，則如上所述按壓 Tuning control 選台控制旋鈕。
6. 當搜尋波段結束時，收音機將從起始波段重新搜尋。
7. 可轉動旋鈕來調整需要的音量大小。

#### 說明：

- 在調整音量時，請確保屏幕上 FM/AM 沒有閃爍。
  - 如果屏幕上 AM/FM 在閃爍，可進行手動選台（詳細資訊請參閱《手動選台》）。
  - 收聽時音量不宜過大。為避免聽力受損，請勿長時間以高音量收聽。
8. 要關閉收音機，請按 Power 電源鍵。

## 手動選台 - AM/FM

1. 按壓 Power 電源鍵打開收音機。
2. 按壓 Source 音源鍵選擇 AM 或 FM 電台。
3. 按壓 Tuning control 選台控制旋鈕，會看到屏幕上 AM 或 FM 字體閃爍。

#### 說明：

- AM 或 FM 字體閃爍約 10 秒鐘，閃爍期間只能手動選台。
  - 如果需要在 AM/FM 閃爍時調整音量，可按壓旋鈕使閃爍停止，再轉動旋鈕調整音量。
4. 轉動旋鈕進行選台。
  5. 當可選擇的波段結束時，收音機可從起始波段重新被選擇。
  6. 可轉動旋鈕來調整需要的音量大小。

## AM/FM 模式中預設電台

收音機的 AM 和 FM 各有 5 個預設電台，設定方法相同。

1. 按壓 Power 電源鍵打開收音機。
2. 按壓 Source 音源鍵選擇 AM 或 FM 電台。如前所述調到要收聽的電台。
3. 按住所需的預設鍵（1 到 5），直到當前波段後面出現“P4”（示例），電台會以預設號碼儲存，再根據個人需要設定其他號碼。
4. 依據需要，已經儲存的電台可被上述方法覆蓋。

## 顯示模式 - FM

FM 收音機模式有一系列的顯示選項。

重複按壓 Menu/Info（功能表 / 資訊）鍵，可查看目前收聽的電台的 RDS 資訊。

- a. Station name 顯示所收聽的電台名稱。
- b. Program type 顯示所收聽的電台類型，如流行音樂、古典音樂、新聞等。
- c. Radio text 顯示文本消息，如新項目等。
- d. Year/Day 根據收音機的日期設置，顯示年份和星期。
- e. Date/Day 根據收音機的日期設置，顯示日期和星期。
- f. EQ mode 顯示所收聽電台的 EQ 模式。
- g. Frequency 顯示所收聽電台的波段。

## FM 立體聲（自動）/ 單聲道

如果所收聽的 FM 電台信號微弱，可能會聽到雜音。可強制讓收音機以單聲道來代替立體聲（自動），可以減少雜音。

1. 如前所述，按壓 Source 音源鍵選擇 FM 模式，然後調到想收聽的 FM 電台。
2. 按住 Menu/Info (功能表 / 資訊) 鍵進入功能表設定。
3. 轉動 Tuning control 選台控制旋鈕，直到屏幕上顯示 "FM AUTO (或 MONO)"。轉動旋鈕作切換後，按壓旋鈕確認。

## 選擇 AM/FM 的預設電台

1. 按壓 Power 電源鍵打開收音機。
2. 按壓 Source 音源鍵選擇 AM 或 FM 電台。
3. 按一下所需要的預設鍵 (1-5)，收音機會跳到已儲存的預設電台。

## 其他設定

### 設定時間和日期格式

待機模式和播放模式畫面中使用的時鐘可設定為不同的格式，當設定鬧鐘時也會使用相同格式。

1. 長按 Menu/Info (功能表 / 資訊) 鍵進入功能表設定。
2. 轉動 Tuning control 選台控制旋鈕，直到屏幕上出現 "CLOCK xxH" (時鐘 xx 小時)，按壓旋鈕進入設定，將會看到時間格式開始閃爍。
3. 轉動旋鈕，選擇 12 小時或 24 小時格式。按壓旋鈕確定選擇的時鐘格式。

#### 說明：

如果選擇了 12 小時的時鐘格式，收音機會以 12 小時制用於設定。

4. 長按 Menu/Info (功能表 / 資訊) 鍵進入功能表設定。
5. 轉動 Tuning control 選台控制旋鈕，直到屏幕上出現日期 (例：THU APR 3)，按壓旋鈕進入設定，將會看到日期格式開始閃爍。
6. 轉動旋鈕，選擇希望使用的日期格式。按壓旋鈕確定選擇項目。

### 設定時鐘時間和日期

1. 長按 Menu/Info (功能表 / 資訊) 鍵。
2. 轉動 Tuning control 選台控制旋鈕，直到屏幕上出現 "CLOCK ADJ" (時鐘調整)，按壓旋鈕進入設定。
3. 屏幕上的小時設定開始閃爍，轉動旋鈕選擇正確的小時，按壓旋鈕確認設定。再轉動旋鈕選擇正確的分鐘，按壓旋鈕確認設定。
4. 轉動 Tuning control 選台控制旋鈕，直到顯示幕上顯示 "DATE ADJ" (日期調整)。按壓旋鈕進入設定。
5. 轉動旋鈕選擇正確年份，按壓旋鈕確認設定。轉動旋鈕選擇正確月份，按壓旋鈕確認設定。轉動旋鈕選擇正確日期，按壓旋鈕確認設定。

### 無線電資料廣播 (RDS)

使用 RDS 功能設定時鐘時，收音機的時間會與帶有 CT 信號的 RDS 電台同步。

1. 當選台到發送 RDS 資料的電台時，屏幕上會出現 RDS 符號。長按 Menu/Info (功能表 / 資訊) 鍵。
2. 轉動 Tuning control 選台控制旋鈕，直到屏幕上顯示 "RDS CT" 和時鐘符號。按壓旋鈕進入設定。

3. 轉動旋鈕，直到屏幕上顯示 "RDS CT"，按壓旋鈕確認設定。收音機時鐘的時間將根據接收到的 RDS 資料自動設定。

#### 說明：

- 每次與 RDS CT 同步後，收音機時鐘的時間在五天內有效。
- 若要停止 RDS CT 功能，請返回步驟 1 至 2，然後轉動旋鈕，選擇 "手動" 選項。按壓旋鈕確認設定。

### 設定鬧鐘

收音機可以設定為收音機鬧鐘或蜂鳴器鬧鐘，且在待機模式或播放模式時均可設定。

#### 說明：

在設定鬧鐘之前先確保時間設定正確。設定鬧鐘時若 10 秒內沒有動作，收音機將退出設定。

#### a. 設定收音機鬧鐘時間：

1. 鬧鐘在收音機開機或關機狀態下均可設定。
2. 長按收音機鬧鐘鍵，會出現嗶聲且鬧鐘符號和顯示時間開始閃爍。
3. 收音機鬧鐘符號閃爍期間，轉動旋鈕選擇小時，按壓旋鈕確認設定。再轉動旋鈕選擇分鐘，按壓旋鈕確認設定。
4. 轉動旋鈕，屏幕顯示鬧鐘頻度選項。

鬧鐘頻度選項如下：

ONCE — 一次。

DAILY — 每天一次。

WEEKDAY — 週一至週五工作日。

WEEKEND — 週末日。

按壓旋鈕來確認設定。

5. 在收音機鬧鐘符號閃爍期間，轉動旋鈕選擇喚醒時要收聽的電台，再次按壓旋鈕確定。
6. 轉動旋鈕選擇喚醒時的音量，按壓旋鈕確定。此時已完成了收音機鬧鐘設定。

#### 說明：

- 如果沒有選擇新的收音機鬧鐘電台，將選用最後收聽的電台。
- 若所選的 AM/FM 鬧鐘電台在鬧鐘響時不可用，則使用蜂鳴器鬧鐘代替。

#### b. 設定 HWS(Humane Wake System) 蜂鳴器鬧鐘

當選擇 HWS 蜂鳴器鬧鐘時，蜂鳴器會發出嗶聲。

蜂鳴器響起時每 15 秒會增加強度，持續 1 分鐘後會靜音 1 分鐘，並重複循環。

1. 鬧鐘在收音機開機或關機狀態下均可設定。
2. 長按蜂鳴器鬧鐘鍵，會出現嗶聲且鬧鐘符號和顯示時間開始閃爍。
3. 蜂鳴器鬧鐘符號閃爍期間，轉動旋鈕選擇小時，按壓旋鈕確認設定。再轉動旋鈕選擇分鐘，按壓旋鈕確認設定。
4. 轉動旋鈕，屏幕將顯示鬧鐘頻度選項。

鬧鐘頻度選項如下：

ONCE — 一次。

DAILY — 每天一次。

WEEKDAY — 週一至週五工作日。

WEEKEND — 週末日。

按壓旋鈕來確認設定。

說明：蜂鳴器鬧鐘無法調整音量。



## 停止鬧鐘聲音

按壓 Power 電源鍵可停止鬧鐘聲音。

## 停用 / 取消鬧鐘設定

若要取消預定的鬧鐘，需長按收音機 / 蜂鳴器鬧鐘鍵，直到顯示的鬧鐘符號消失。

## 貪睡模式

1. 當鬧鐘響起時，按壓除了 Power 電源鍵以外的任何按鍵可使鬧鐘靜音 5 分鐘。“SNOOZE” 會出現在屏幕上。
2. 若要調整貪睡計時器的靜音時間，長按 Menu/Info( 功能表 / 資訊 ) 鍵進入功能表設定。
3. 轉動 Tuning control 選台控制旋鈕，直到屏幕上出現 “SNOOZE X”，再按壓旋鈕進入設定。轉動旋鈕可調整靜音時間為 5、10、15 和 20 分鐘。
4. 當鬧鐘暫時想取消計時器，按壓電源鍵可取消貪睡計時。

## 睡眠計時器

收音機可以設定在預定時間過了之後自動關機。睡眠計時器的可選擇設定 60、45、30、15、120 和 90 分鐘。

1. 長按 Menu/Info( 功能表 / 資訊 ) 鍵進入功能表設定。屏幕上將出現 “SLEEP XX”，轉動旋鈕選定時間。
2. 或長按 Power 電源鍵，屏幕上的睡眠計時器的時間選項開始切換。所需的時間出現在屏幕上時鬆開電源鍵，即保存設定，屏幕會恢復正常顯示。
3. 預設的睡眠計時時間過後，收音機將自動關機。睡眠計時器圖示會出現在屏幕上時表示功能啟動中。
4. 要在預設時間未過之前取消睡眠計時器功能，只需按壓電源鍵，即可取消並關機。

## 響度

通過調節響度功能，可獲得更低或更高頻率的補償。

1. 長按 Menu/Info( 功能表 / 資訊 ) 鍵進入功能表設定。
2. 轉動 Tuning control 選台控制旋鈕，直到屏幕上顯示 “LOUD ON”( 開 ) 或 “LOUD OFF”( 關 )。按壓旋鈕進入設定。
3. 轉動旋鈕可打開響度功能，然後按壓旋鈕確認設定。
4. 若要關閉響度功能，請選擇 “OFF”( 關閉 ) 並按壓旋鈕確認設定。

## EQ 均衡器功能

Tuning control 選台控制旋鈕周圍有 LED 燈，會顯示 7 種不同的 EQ 模式。

1. 按壓 Power 電源鍵打開收音機。
2. 按壓 EQ 均衡器按鍵，進入設定。
3. 轉動旋鈕選擇所需的模式，再按壓旋鈕確認設定。

EQ 模式	LED 顯示燈
FLAT	白色
JAZZ	藍色
ROCK	紅色
CLASSIC	棕色
POP	粉紅色
NEWS	黃色
MY EQ	綠色

## 建立 MY EQ 設定

1. 按壓 EQ 均衡器按鍵，進入 EQ 設定功能。
2. 轉動 Tuning control 選台控制旋鈕，選擇 “MY EQ。按壓旋鈕，進入 “BASS” ( 低音 ) 設定。
3. 轉動旋鈕選擇所需的低音音階。按壓旋鈕，進入 “MIDDLE” ( 中音 ) 設定。
4. 轉動旋鈕選擇所需中音音階。按壓旋鈕，進入 “TREBLE” ( 高音 ) 設定。
5. 轉動旋鈕選擇所需的高音音階。按壓旋鈕確定。

說明：

- 使用 EQ 均衡器強調 BASS( 低音 ) 並以較大音量播放音樂時可能會導致破音和失真，此時請適當調整音量。

## 連接藍牙播放音樂

透過收音機自動建立連接以播放 / 傳輸藍牙音樂前，必須先將藍牙裝置與收音機配對，配對會使兩台設備產生連結可相互識別。

說明：

- 為使聆聽音樂時有更好的音質，我們建議將藍牙裝置上的音量設定在三分之二以上，再依據需要調整收音機音量大小。
- 收音機可最多儲存 8 套配對的裝置，當超過數量時最早的配對記錄會被覆蓋。

## 藍牙首次配對

1. 按壓 Power 電源鍵開啟收音機。按壓 Source 音源按鍵選擇藍牙模式。屏幕上會出現 BT PAIR ( 藍牙配對 )，且 PAIR 字體會在屏幕上閃爍。
2. 根據使用裝置的說明書啟動裝置上的藍牙功能，連結到收音機。在藍牙裝置清單中選擇名為 “DMR114” 的裝置 ( 比 BT2.1 藍牙設備更早版本的手機，可能需要輸入密碼 “0000”)。
3. 連接成功後會聽到確認音。屏幕會顯示 “BLUETOOTH” 字樣，背光約在 10 秒鐘熄滅。可從你的藍牙裝置選擇並播放任何音樂，音量可從藍牙裝置控制，也可從收音機調整。
4. 使用藍牙裝置上的控制選項，或收音機上播放 / 暫停鍵和上下曲選擇來播放音樂。

說明：

- 當有兩個藍牙裝置均第一次配對，同時搜索收音機時，兩個裝置上均會顯示可連接。但若其中一個裝置先連接到收音機，那另一個藍牙裝置中的配對清單中會找不到收音機。
- 當藍牙裝置一時斷開與收音機連接，則需要重新手動連接收音機。
- 當藍牙裝置清單中有顯示 “DMR114” 字樣，卻無法與之連接，請將其從配對清單列表中刪除，並按照上述步驟重新進行連接
- 最佳藍牙音訊播放與收音機間的距離範圍約為 10 米 (30 英尺 ) ( 視距 )，但最大可達 30 米 (100 英尺)。
- 若藍牙連接時因中斷時間過久、超過最佳距離、有障礙物或其他原因而中斷，則需要將您的裝置與收音機重新連接。

- 物理障礙物、其他無線設備或電磁波設備可能會影響連接品質。
- 藍牙連線性能隨所連接裝置而異。連接收音機之前，請參閱你裝置的藍牙功能。某些已配對的藍牙裝置可能無法支援所有功能。

### 在藍牙模式下播放音樂檔

當成功將收音機與選定的藍牙裝置連接後，就可用藍牙裝置上的控制項目播放音樂。

1. 開始播放後，使用收音機上或已啟用的藍牙裝置上的音量控制調整所需音量。
2. 可使用藍牙裝置上的控制項目播放 / 暫停音樂並進行曲目選擇。或是使用收音機上的“播放 / 暫停”、“下一曲”、“上一曲”按鍵進行操作。
3. 長按“下一曲”或“上一曲”按鍵可越過當前曲目，在到達所需的播放點時鬆開按鍵。

#### 說明：

- 有些播放的應用程式或裝置可能無法對所有控制項目做出回應。
- 當接打電話時，有些行動電話可能會暫時斷開與收音機的連接。有些裝置在接收短信、電子郵件時或因其他與音訊無關的原因，會暫時關閉藍牙連結。這種特性是所連接裝置的功能，不表示收音機出現故障。

### 播放曾經配對的藍牙裝置

如果你的藍牙裝置曾經和收音機配對，則本機會記住該裝置，並會試圖連接記憶體中上次連接的裝置。若上次連接的裝置不可使用，則找不到收音機。

### 斷開藍牙設備

長按藍牙配對鍵 2-3 秒，直到屏幕上出現“BT PAIR”(藍牙配對)，或者關掉你裝置上的藍牙功能。

另外還可按 Source 音源鍵，選擇藍牙以外的播放模式來停止藍牙連接。

### 刪除已配對的藍牙裝置記憶

若要清除所有配對過藍牙裝置的記憶，請長按藍牙配對鍵 5 秒鐘以上，直到屏幕上顯示“CLEARING”(清除)字樣為止。

## AUX IN 音源輸入孔

收音機正面有一個 3.5 毫米音源輸入插孔，可透過此介面輸入 MP3 或 CD 播放機等外部設備的音源。

1. 將外部音源（例如 MP3 或 CD 播放機）連接到音源輸入孔。
2. 按壓 Power 電源鍵打開收音機。
3. 反覆按壓 Source 音源鍵，直到屏幕出現“AUX IN”字樣。
4. 為使聆聽音樂時有更好的音質，我們建議將音訊裝置上的音量設置在三分之二以上，再依據需要調整收音機音量大小。

#### 說明：

音訊連接線不包含在標準配件中。

## 保養

#### △ 注意：

- 請勿使用汽油、揮發油、稀釋劑、酒精等，否則可能會導致褪色、變形或裂開。
- 請勿用水清洗收音機。

## 技術規格

電源需求	
交流變壓器	DC 12V 2.5A，中心插針為正極
電池	備用電池：UM-3 (AA 號) × 2 滑軌式電池：10.8V - 18V
頻率範圍	FM87.50-108MHz (0.05MHz/step) AM(MW)522-1,710kHz (9 kHz/step)

Bluetooth® (Bluetooth® 字樣與標誌為已註冊的商標，並為 Bluetooth SIG, Inc. 所擁有)	
藍牙版本	5.0 認證
藍牙技術規範	A2DP/SCMS-T/AVRCP
傳輸功率	功率 2 級
傳輸範圍	最佳效果 最遠 10 米 (33 英尺) 可能範圍： 最遠 30 米 (100 英尺) (因使用條件而異)
支持編碼	SBC
相容藍牙技術規範	A2DP / AVRCP
最大射頻功率	BT EDR: 3.91dBm
工作頻率	2402MHz~2480MHz

功效	
喇叭	2.5 英寸 8 歐姆 × 2 4 英寸 6 歐姆 × 1
輸出功率	10.8V-12Vmax：2W x2 + 10W 14.4V：3W x2 + 15W 18V：5W x2 + 25W
輸入端子	直徑 3.5 mm (AUX IN)
天線系統	FM：內建天線 AM：內建棒形天線
尺寸 (長 × 寬 × 高)	268 x 164 x 295 mm
重量	4.9 KG (不計電池重量)

**Makita Europe N.V.** Jan-Baptist Vinkstraat 2,  
3070 Kortenberg, Belgium

**Makita Corporation** 3-11-8, Sumiyoshi-cho,  
Anjo, Aichi 446-8502 Japan

DMR114-11L-1903  
3A81d65Z00000

[www.makita.com](http://www.makita.com)

SJN